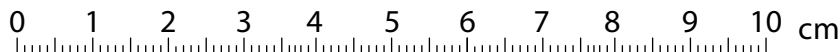
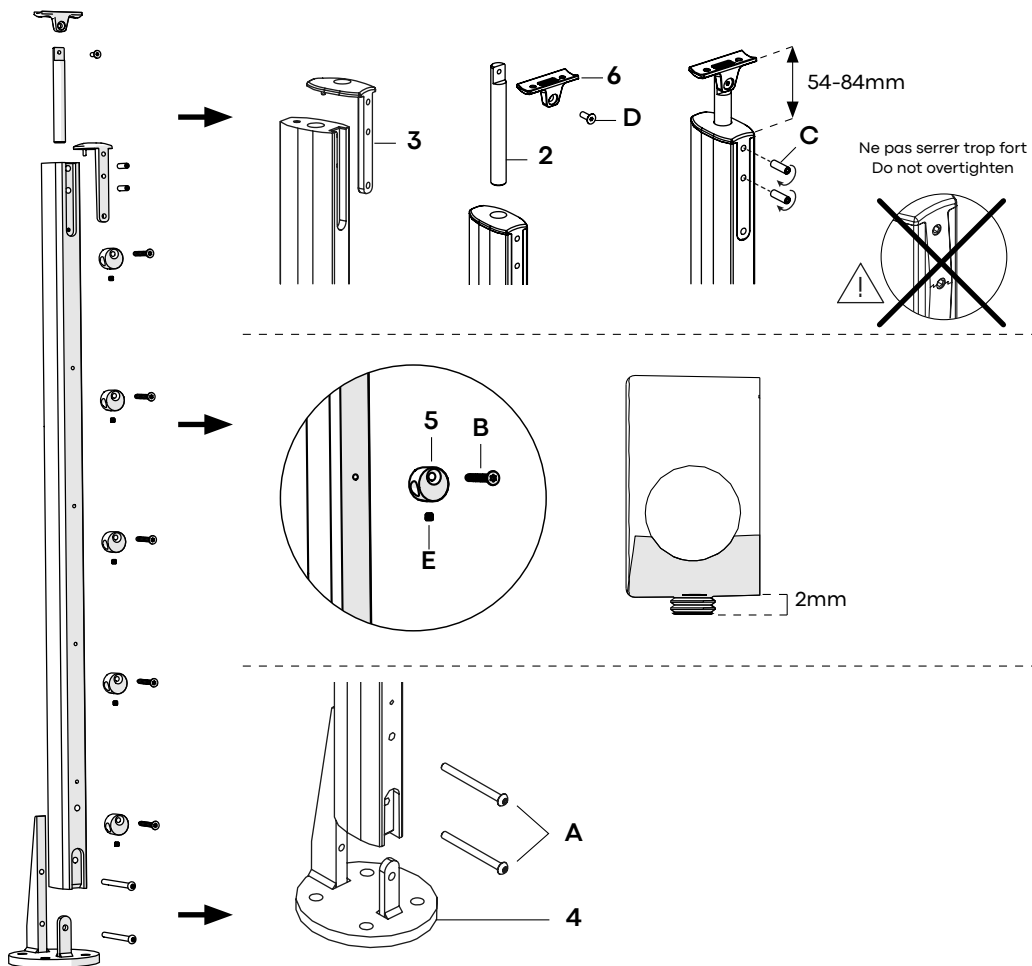


1	Poteau	22026		34x60x895mm	1
2	Tige support	70643		Ø14x117mm	1
3	Finition poteau	70642		34x60x97.5mm	1
4	Support au sol	70647		110x120x180mm	1
5	Support de tube	70133		Ø25x15mm	5
6	Support main-courante	70644		56x24x20mm	1
A	Vis A	72522		M6x70mm	2
B	Vis B	72241		M5x40	5
C	Vis C	72646		M6x20	2
D	Vis D	72548		M5x14	1
E	Vis E	72067		M5x6	5





2 | FIXATION MAIN-COURANTE

