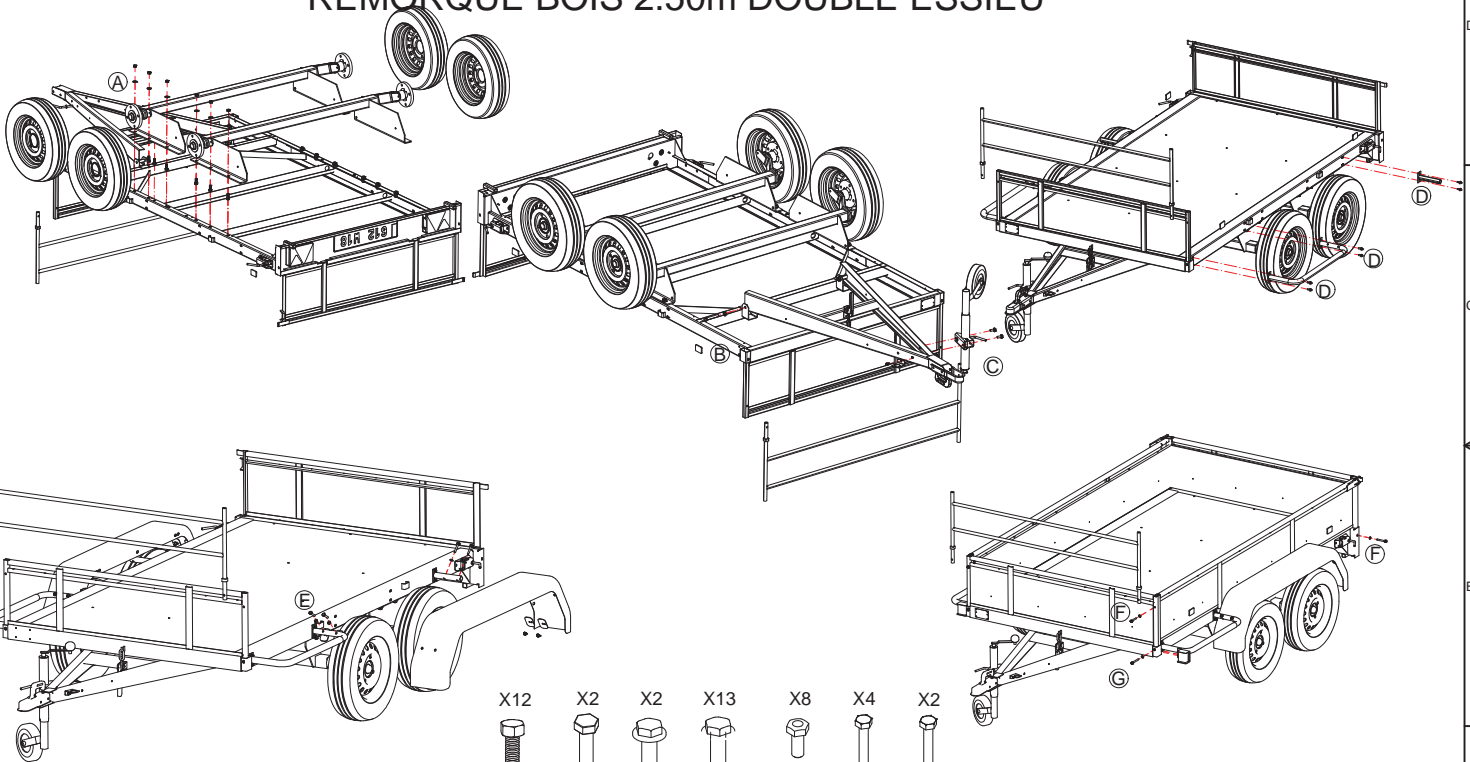


NOTICE MONTAGE

REMORQUE BOIS 2.50m DOUBLE ESSIEU



- | | | | | | | |
|----------------------|----------------------|-----------------------|---------------------|---------------------|---------------------|---------------------|
| X12 | X2 | X2 | X13 | X8 | X4 | X2 |
| | | | | | | |
| | | | | | | |
| | | | | | | |
| | | | | | | |
| ECROU FREIN
12X30 | ECROU FREIN
12X90 | ECROU CRANTE
10X25 | ECROU FREIN
8X20 | ECROU FREIN
8X50 | ECROU FREIN
8X60 | ECROU FREIN
8X80 |
| (A) | (B) | (C) | (D) | (E) | (F) | (G) |