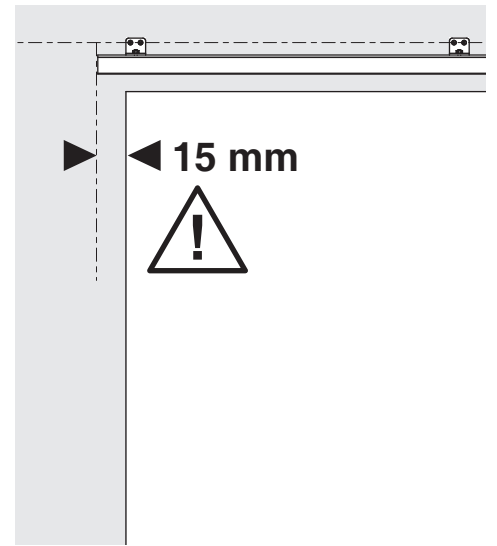
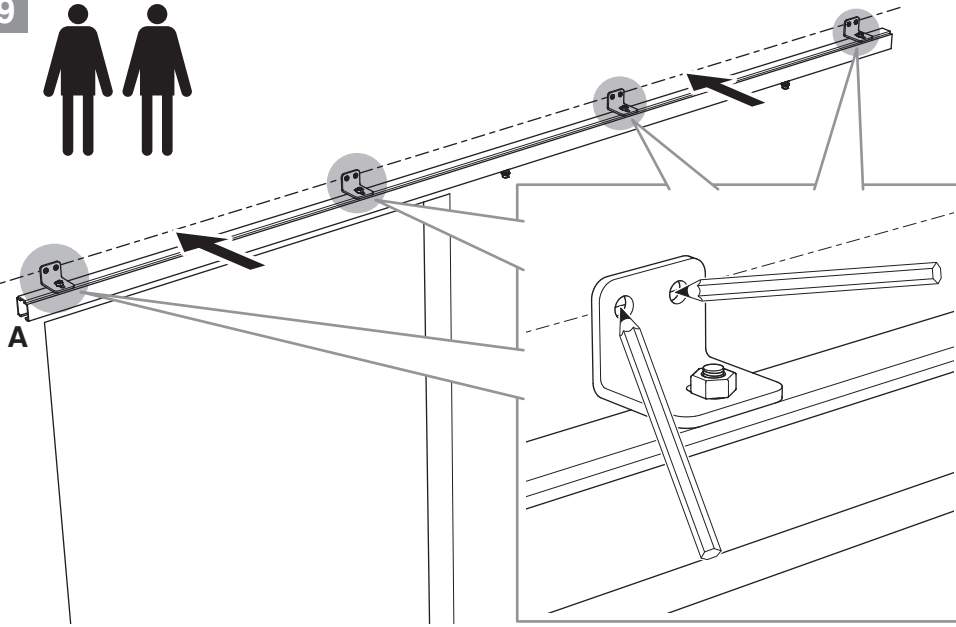
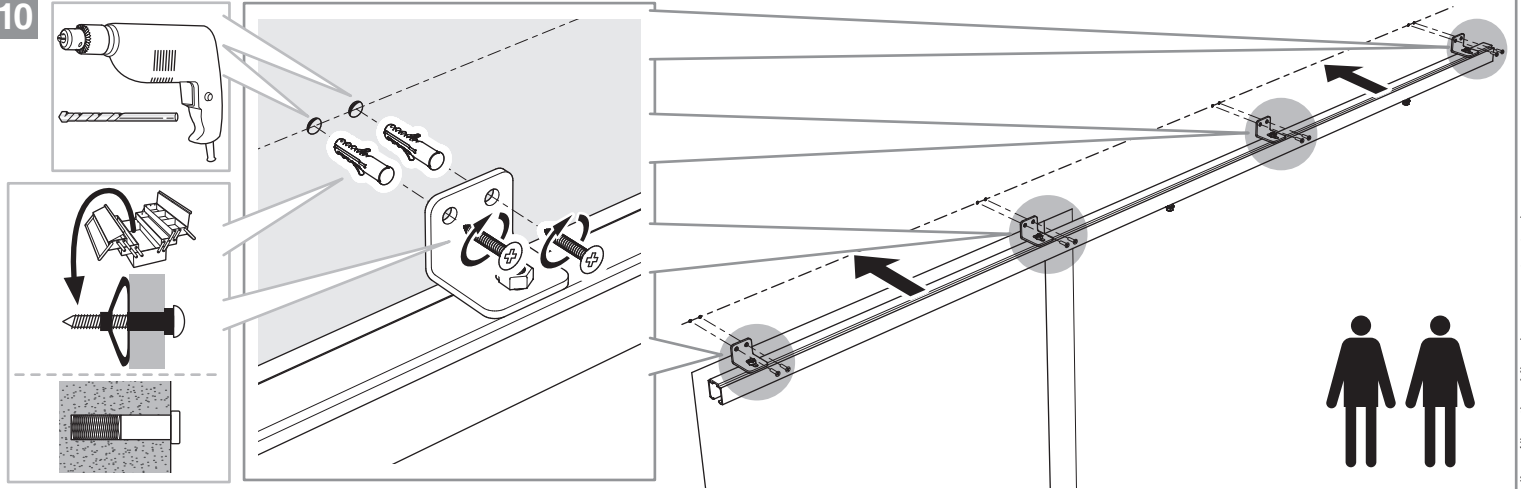


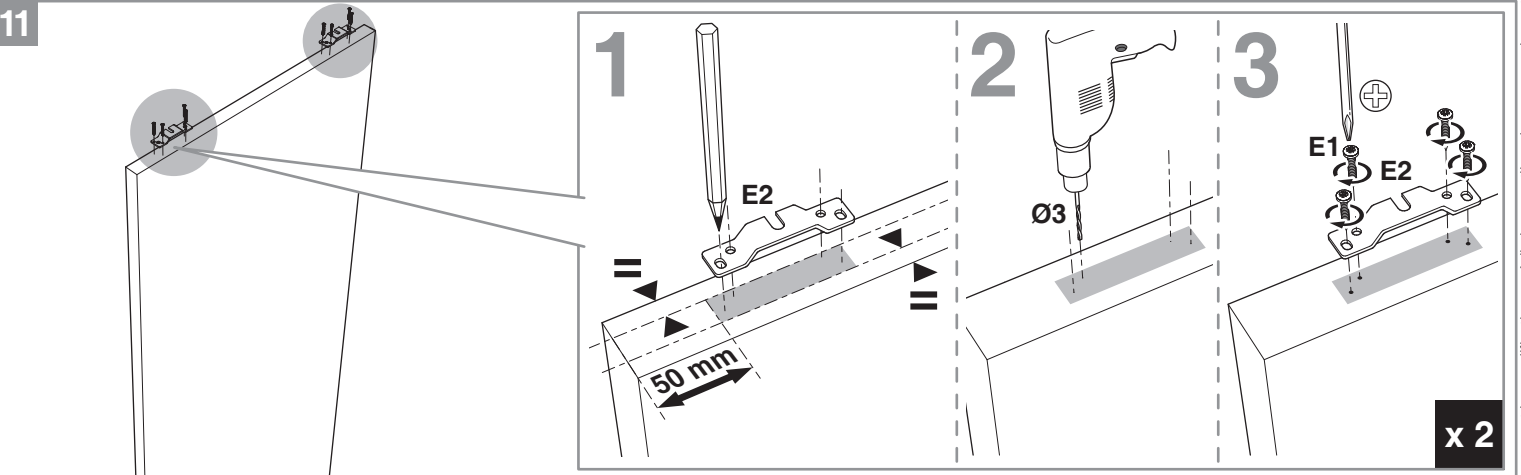
9



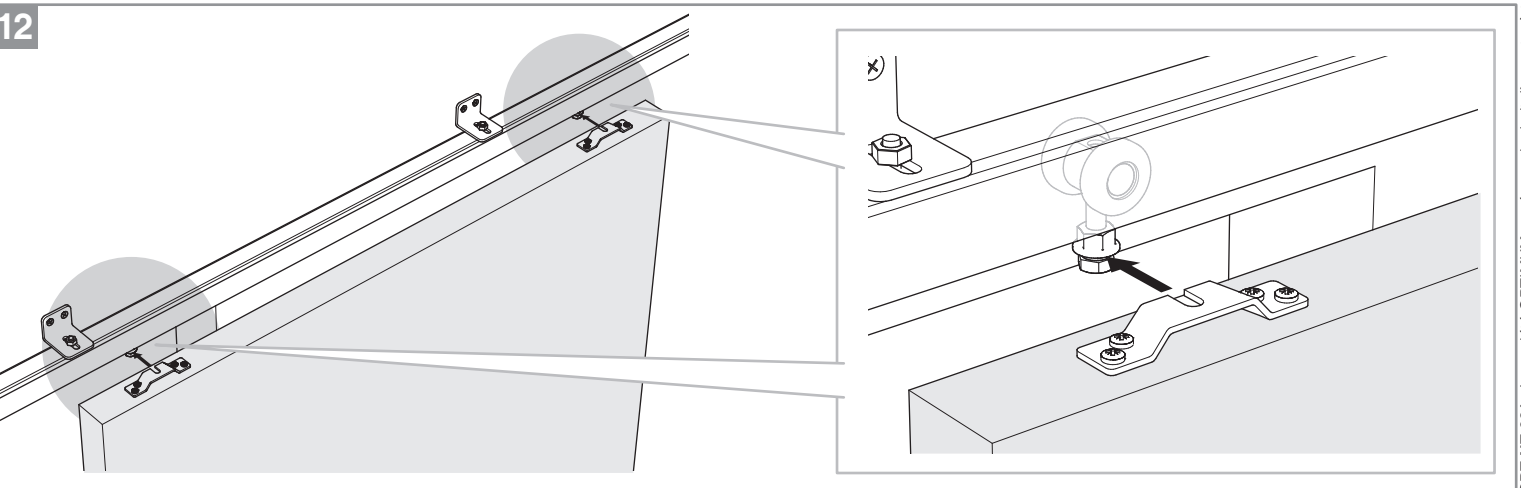
10



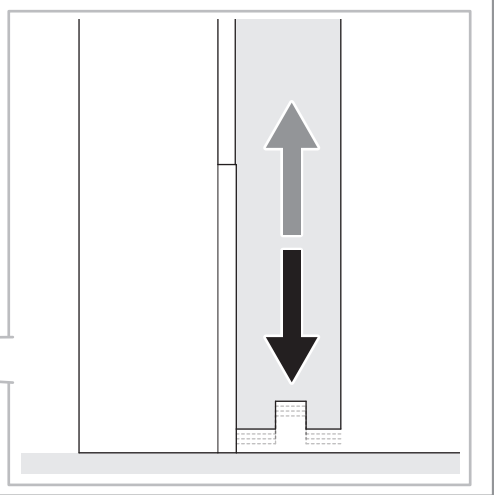
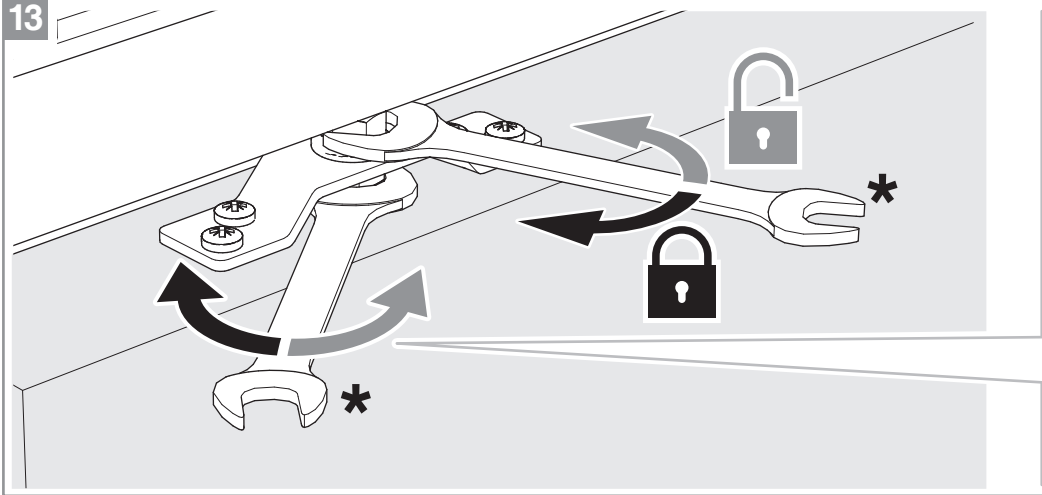
11



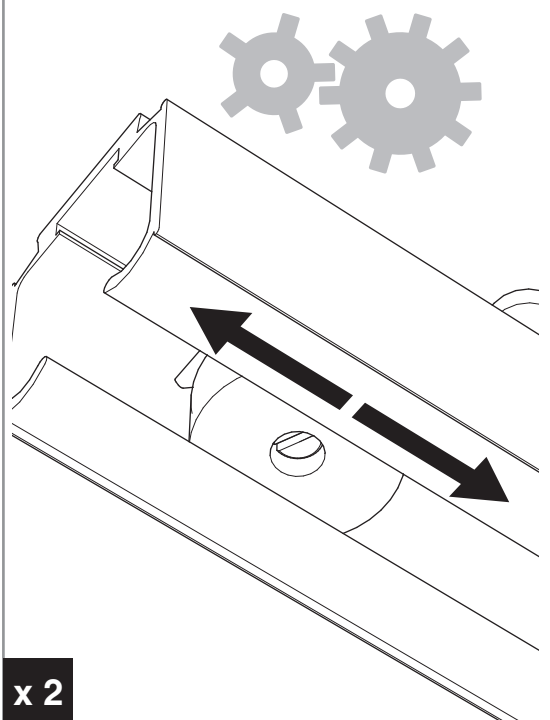
12



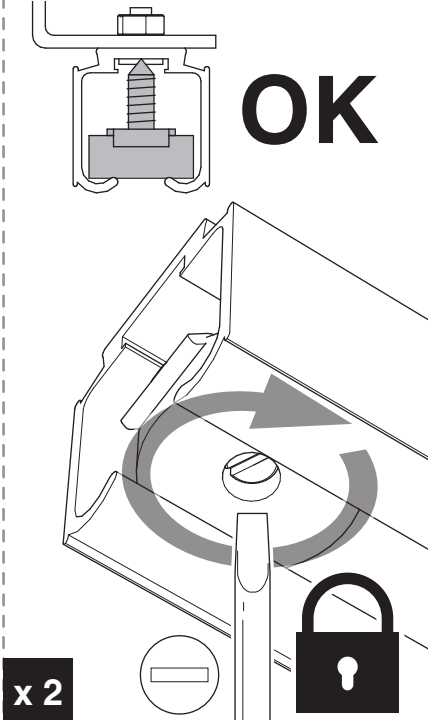
13



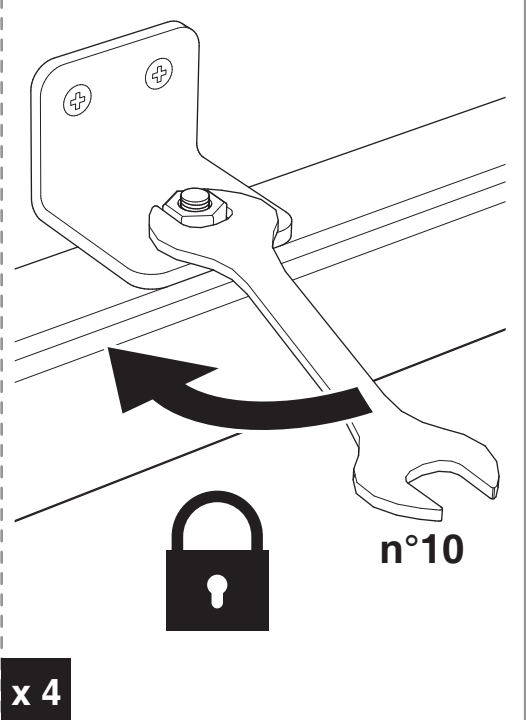
14



x 2



x 2



x 4

15

