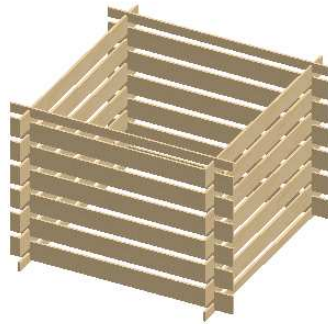




Compost Mezzito 100x100x71.5cm FSC MIX CREDIT Pine

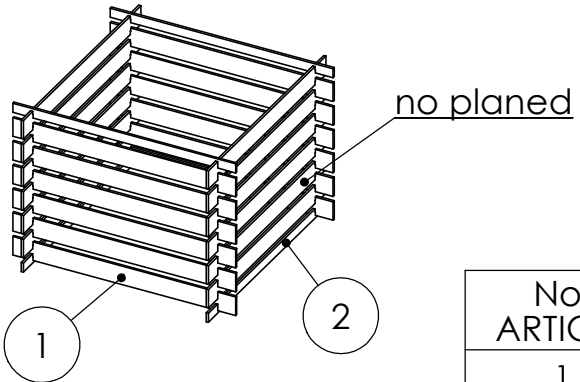
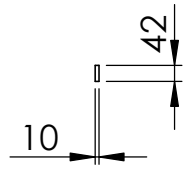
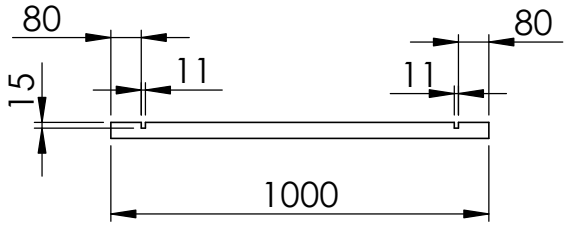
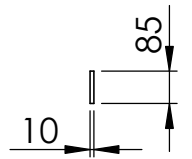
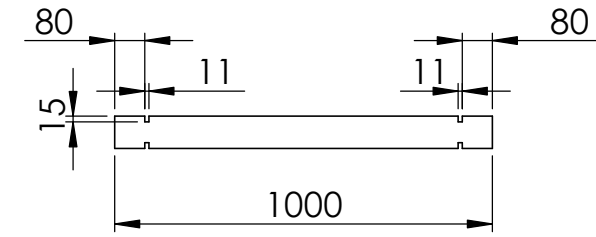
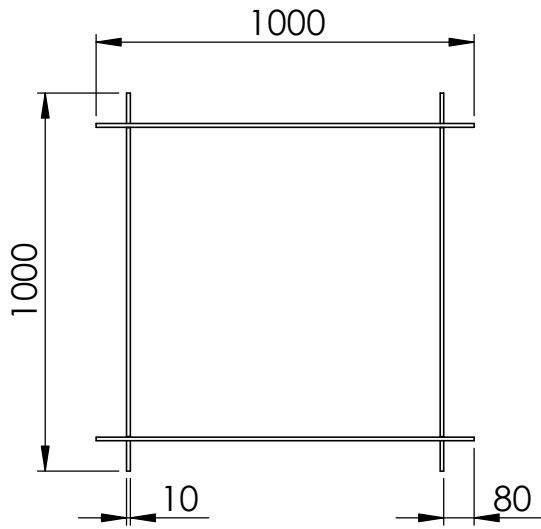
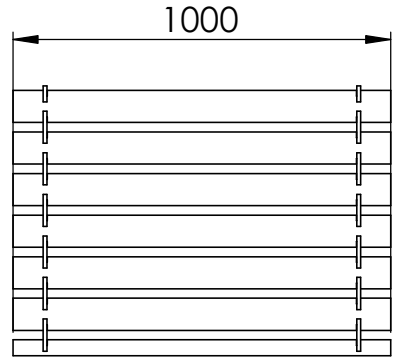


General requirements	
Navision reference	001670
Range level of the product*	0
Initial date of the drawing	16/01/2013
Packaging specifications	the palette must be treated class III and must not contain bark


* 0: bottom of the range, 1: average range, 2: top of the range



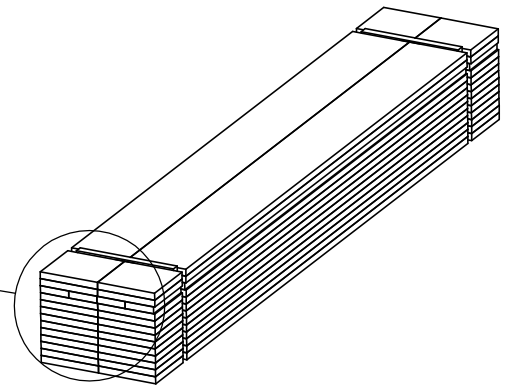
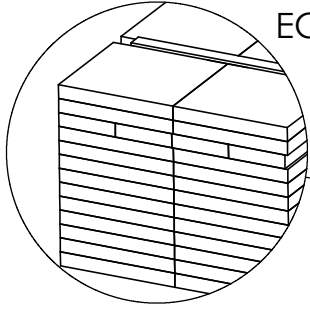
	date of modification	cancel and withdraw the version of	causes of modification	number of unity per pallet	drawing by	validated by	number of pages
current version	15/10/2013	16/01/2013	Who asked : Richard Brel Why : added "no planed" What has changed : "no planed" and pallet	10	M. LECLERCQ		3
History	16/01/2013		NA	10	M. LECLERCQ	H.DEZILEAUX	3



No. ARTICLE	NUMERO DE PIECE	DESCRIPTION	QTE
1	001670 - A	no planed	24
2	001670 - B	no planed	4

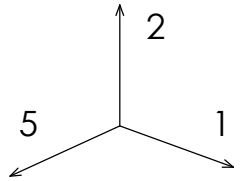
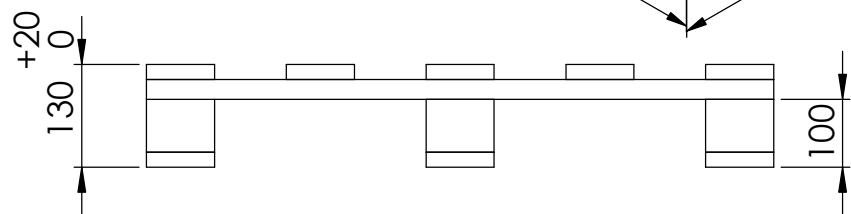
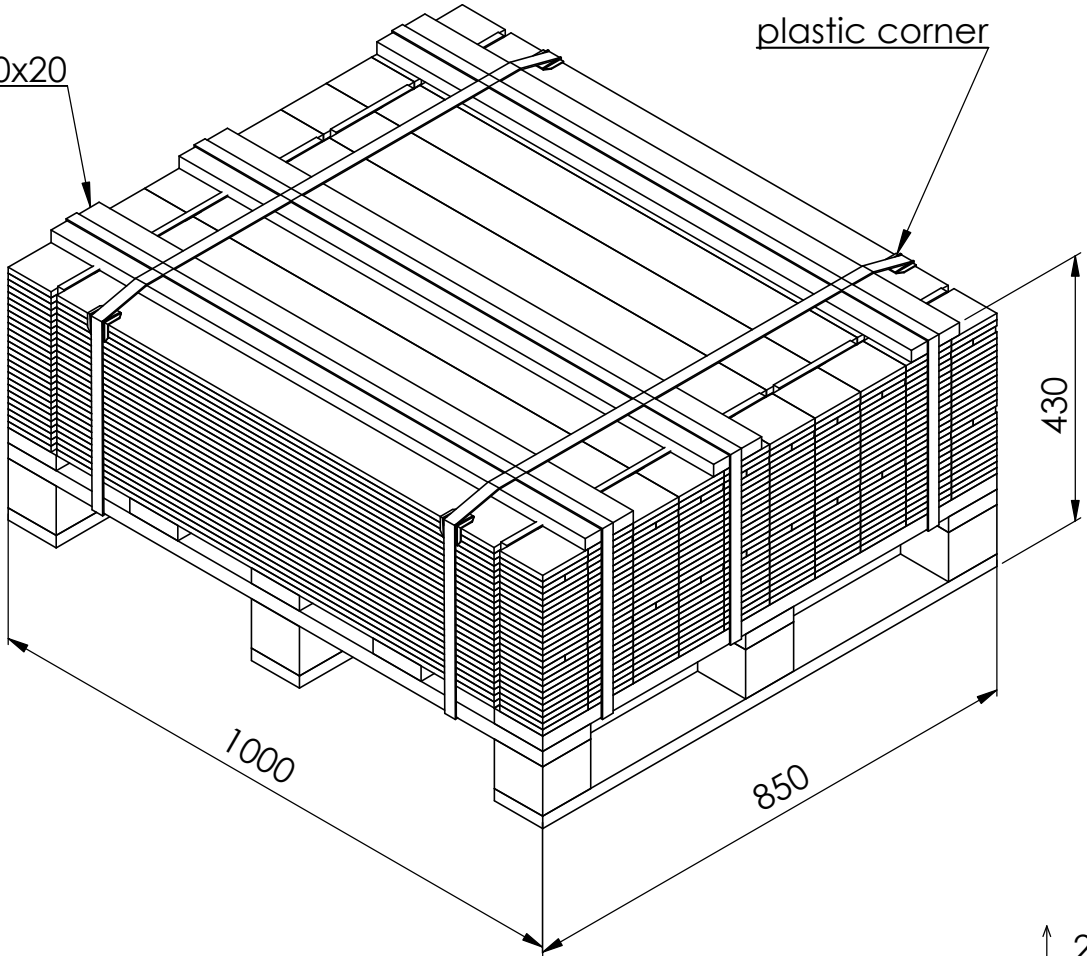
REF : 001670		DESIGNATION : Compost Mezzito 100x100x71.5cm		
	NAME	DATE		
	DRAWER	M. LECLERCQ	15/10/2013	
	CHECKER			
SPECIES/MATERIAL: Pine		TREATMENT : autoclave Green class III		Pcs / Pal : 10
Volume : 0.0219 (m3)		SCALE: 1:20	FOLIO : 2 / 3	


DÉTAIL B
ECHELLE 1 : 5



board 1000x90x20

plastic corner



REF : 001670	DESIGNATION : Compost Mezzito 100x100x71.5cm		
	NAME	DATE	Pallet
	DRAWER	M. LECLERCQ 15/10/2013	
	CHECKER		
	SPECIES/MATERIAL: Pine		TREATMENT : autoclave Green class III
Volume : 0.2520 (m3)	SCALE: 1:10	FOLIO: 3 / 3	