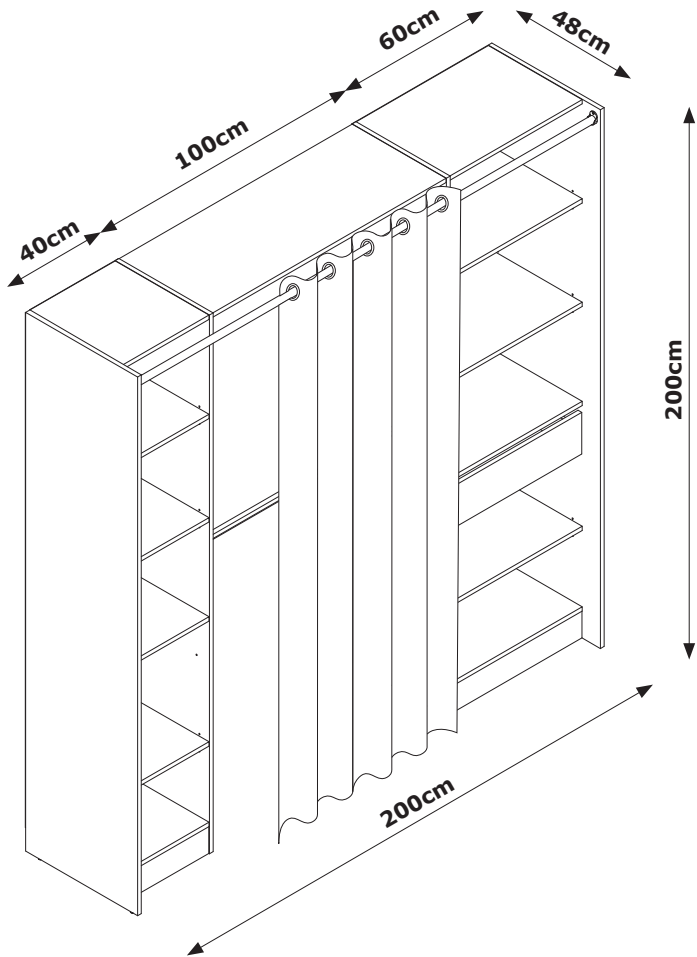
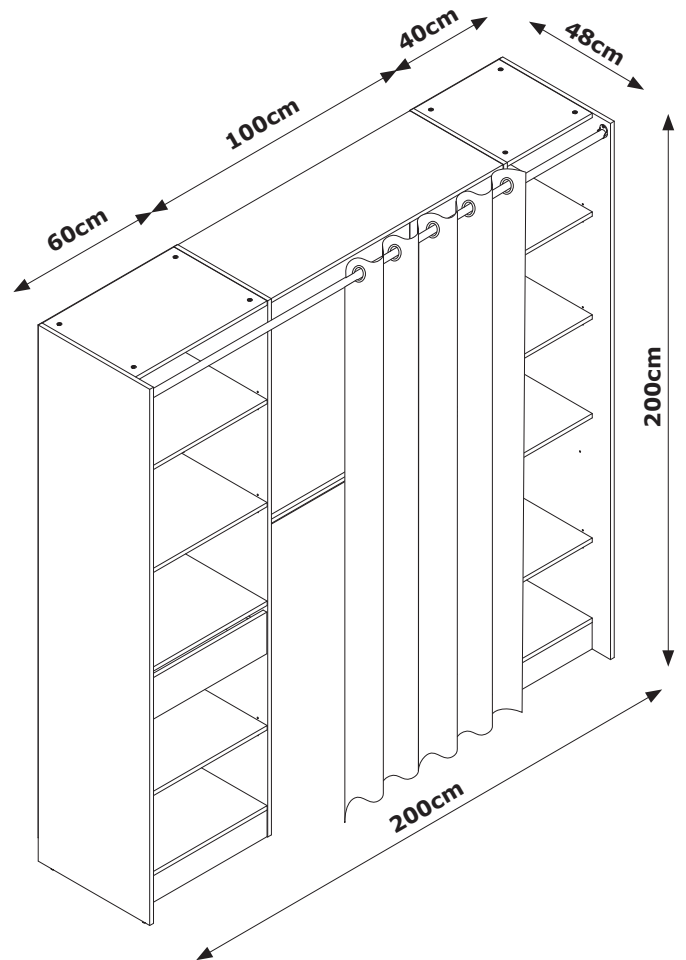


EKLIPS



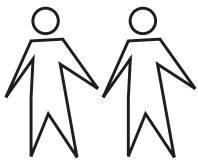
A



B

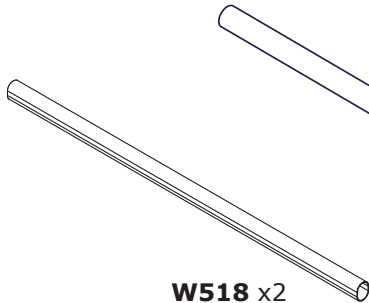
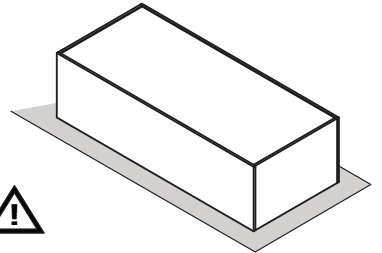
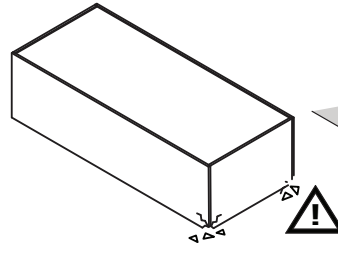
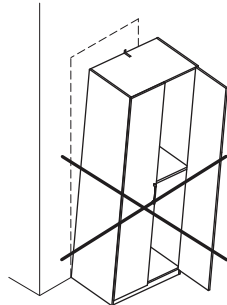
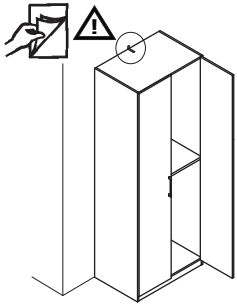
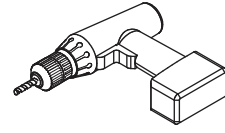
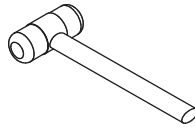
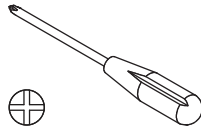


MIX
Wood from
responsible sources
FSC® C011298

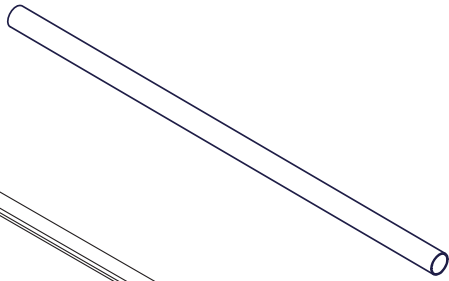


2h

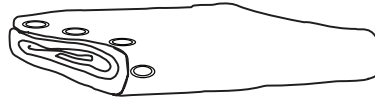
OUTILS NON FOURNIS



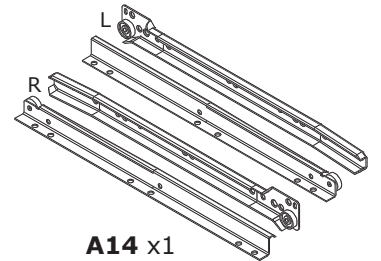
W518 x2
L.992mm



W516 x1
L.1960mm

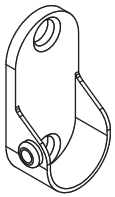


FL0011
x1

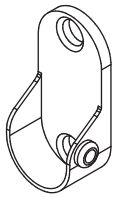


A14 x1
L.350mm

BU4272



R51 x2
Ø15



R52 x2
Ø15



H2
x2



T28
x26



V13
x16



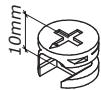
R5
x28



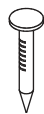
V19
x38



V5
x6



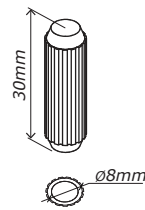
T98
x2



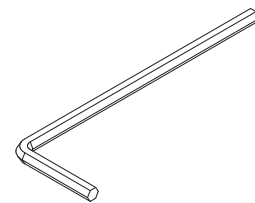
H15
x60



G136
x2



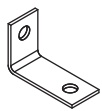
H1
x32



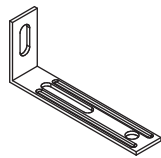
H292
x1



P38
x8



H141
x5



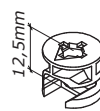
H185
x2



H129
x4



V81
x4



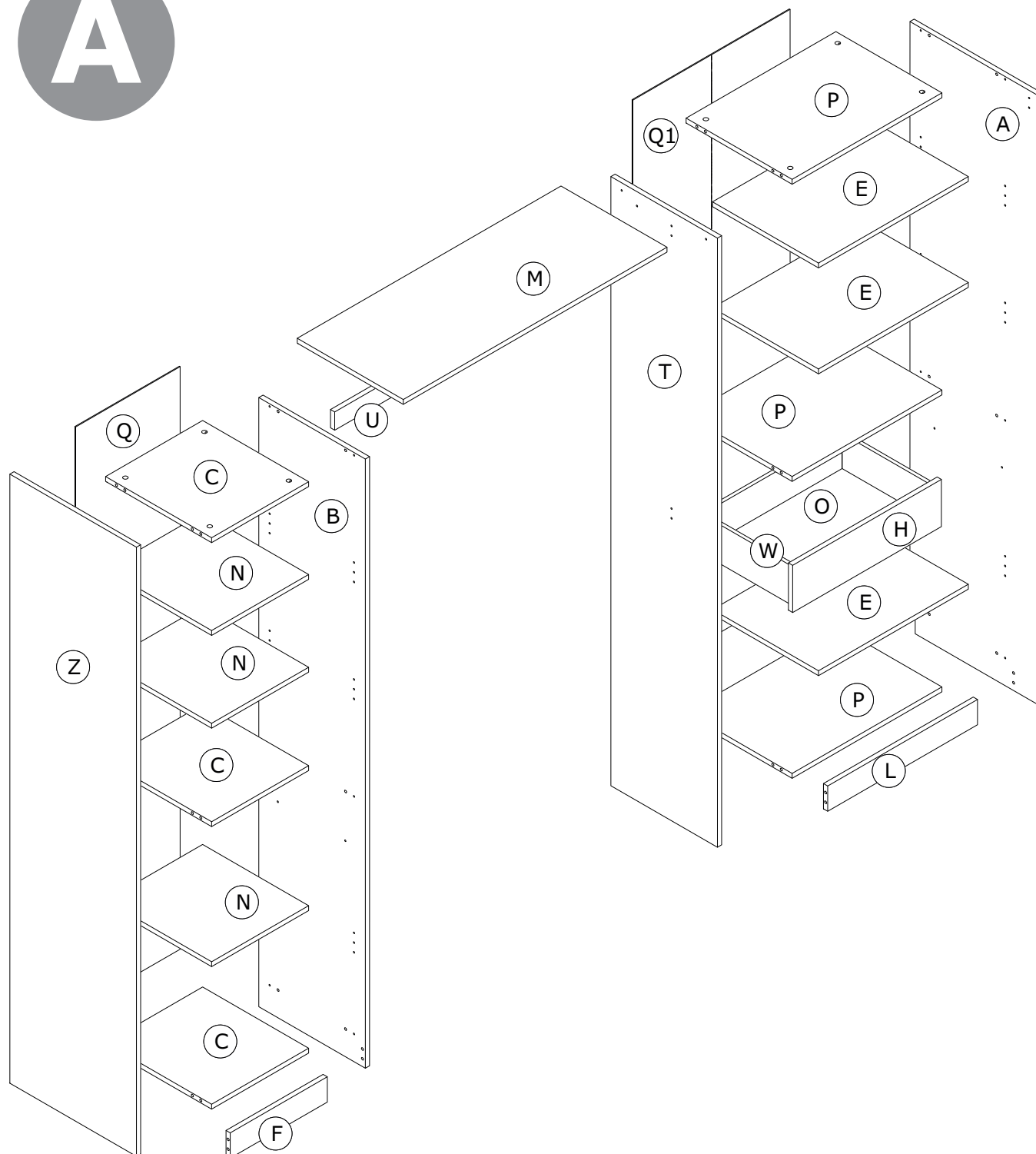
T7
x24



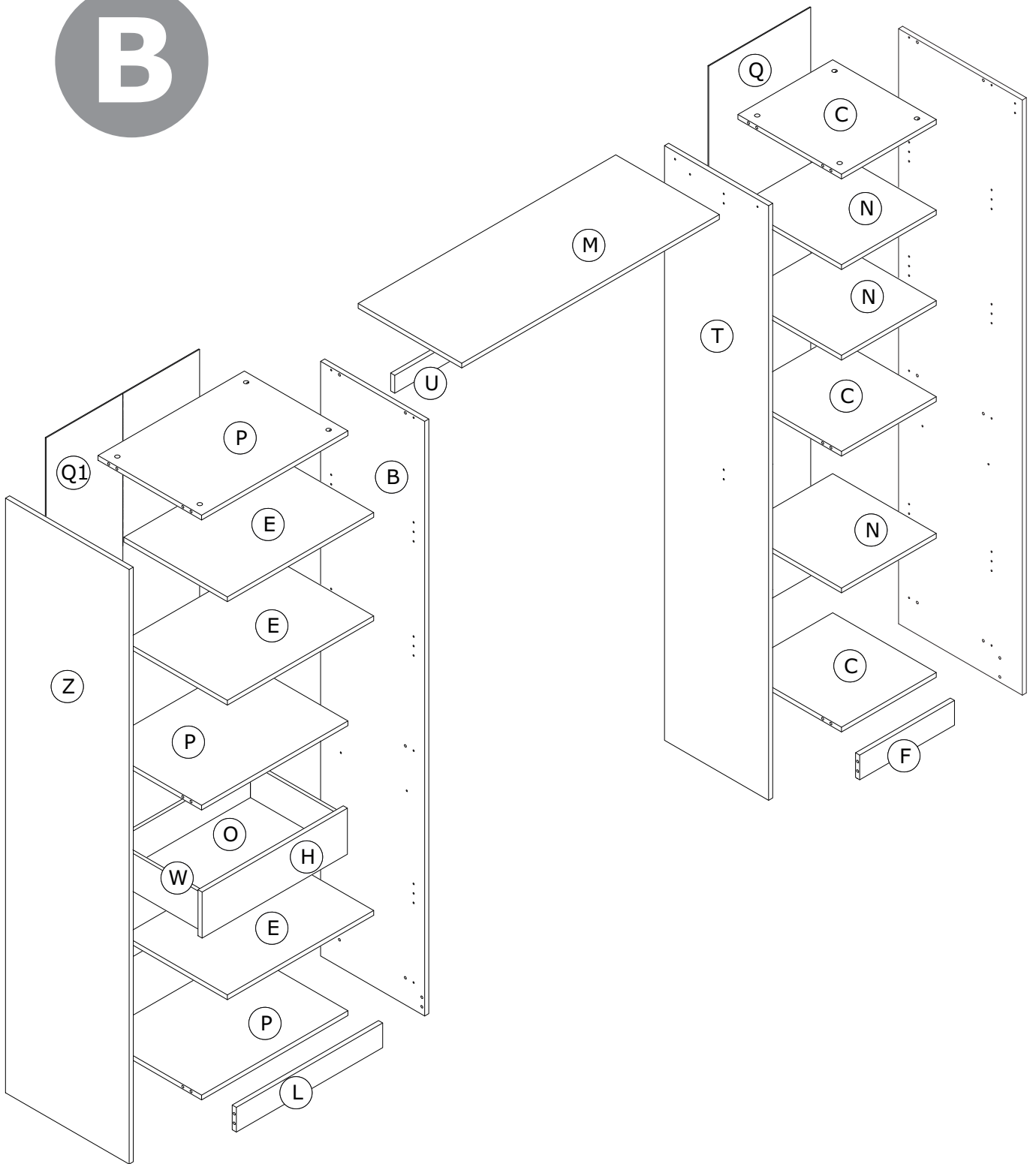
R53 x1
Ø25



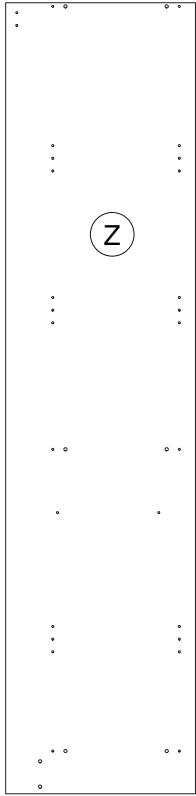
R54 x1
Ø25



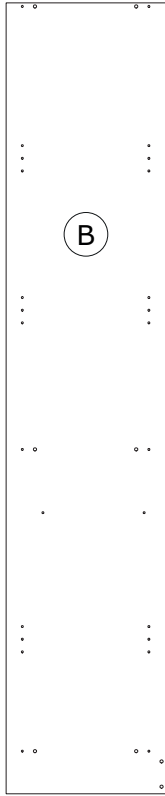
B



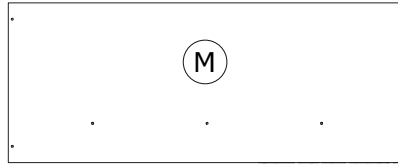
BOX 1/2



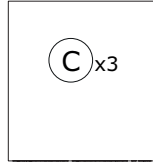
FI8532
2000x480x16 mm



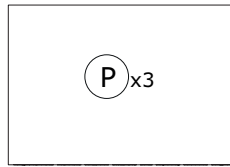
FI8534
2000x404x16 mm



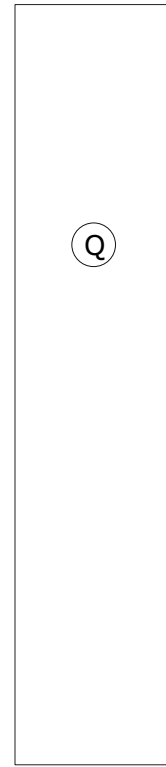
PI6895
1000x402x16 mm



PI6898
368x402x16 mm

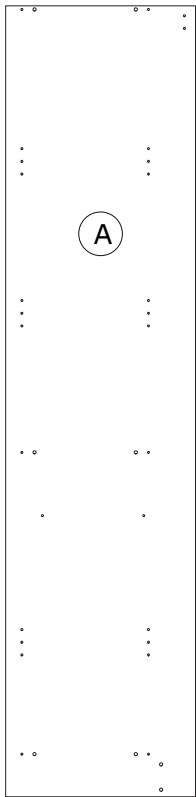


PI6896
568x402x16 mm

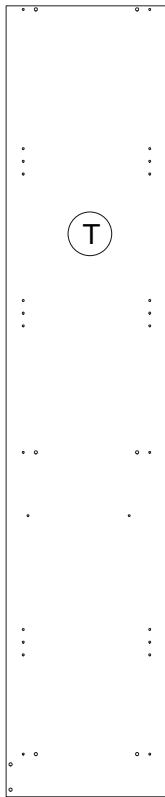


SH3115
1896x396x2 mm

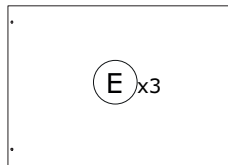
BOX 2/2



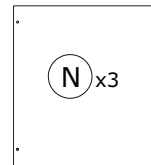
FI8128
2000x480x16 mm



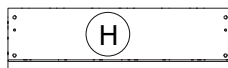
FI8136
2000x404x16 mm



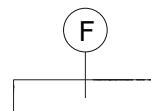
PI6900
568x402x16 mm



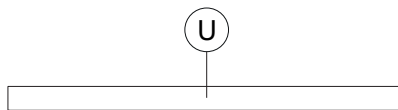
PI6891
368x402x16 mm



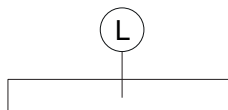
CS3392
564x155x16 mm



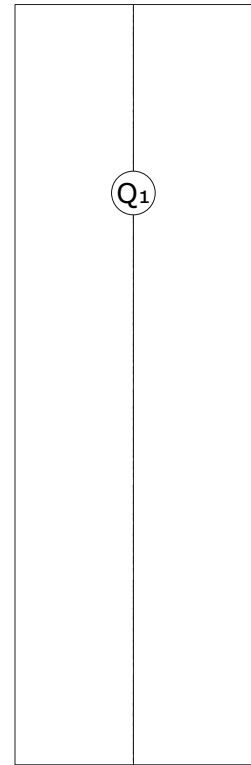
Z01587
368x100x16 mm



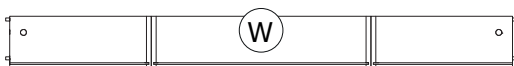
FS3050
1000x60x16 mm



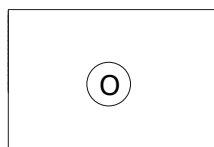
Z01585
568x100x16 mm



SH3116
1896x596x2 mm

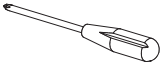
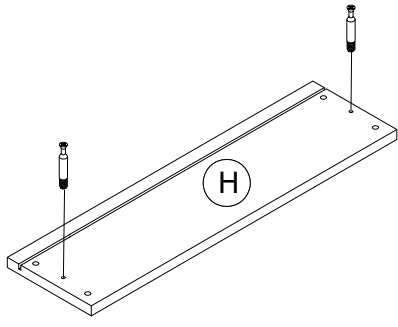
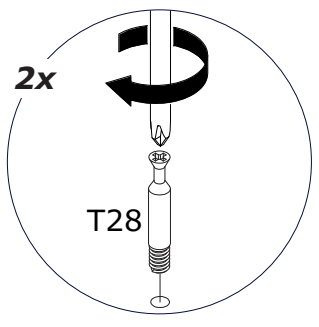


OF0561
350x543x350 mm H.100mm

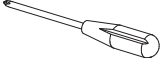
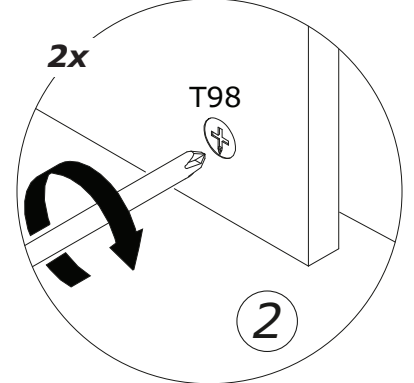
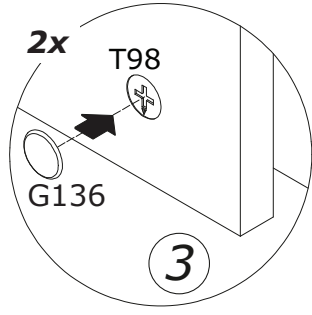
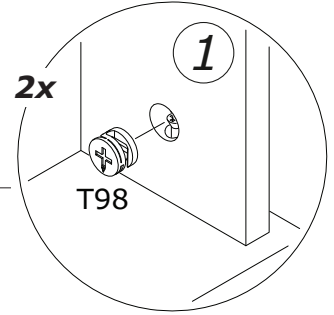
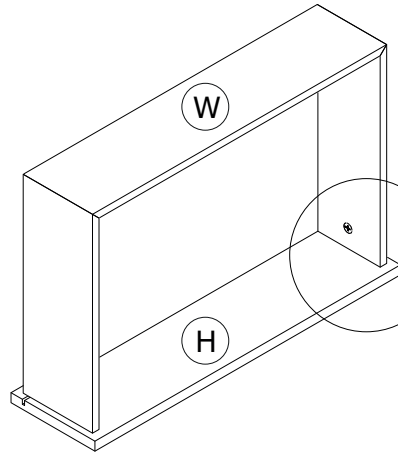
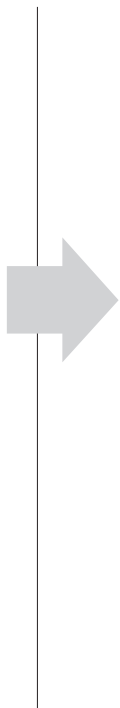
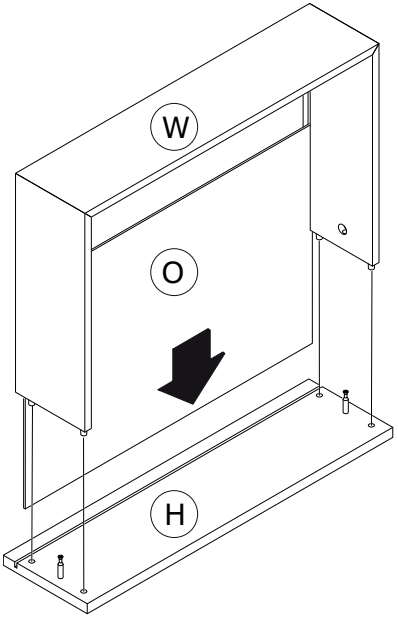


SH3102
530x351x2 mm

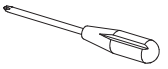
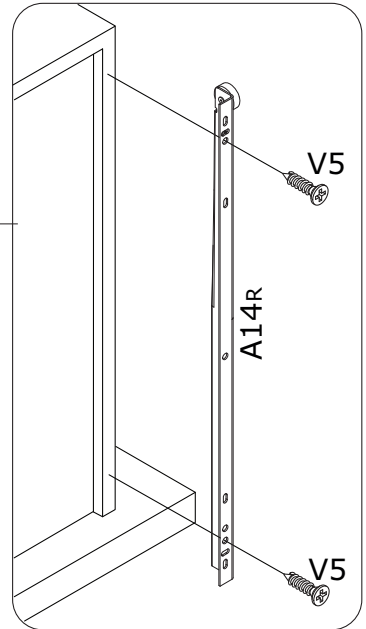
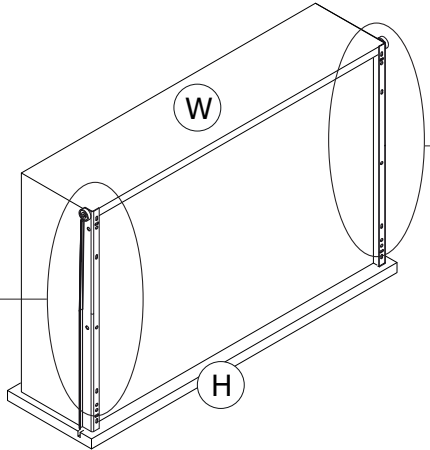
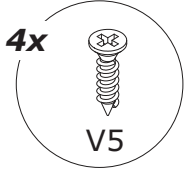
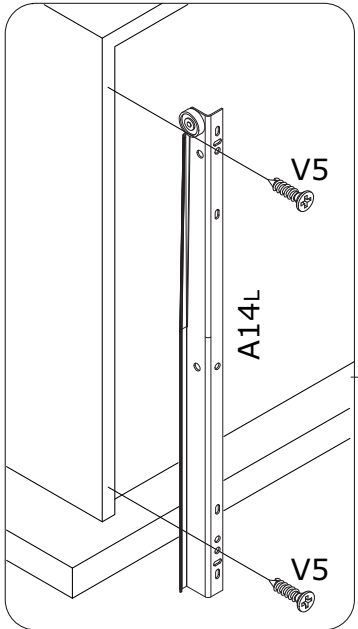
1



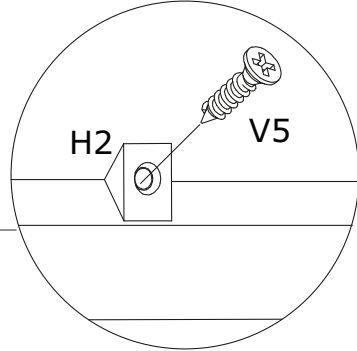
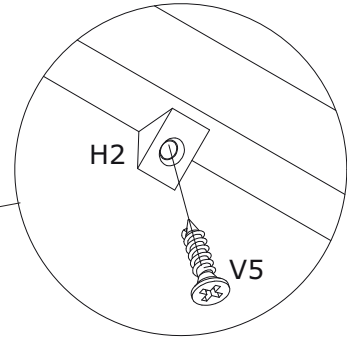
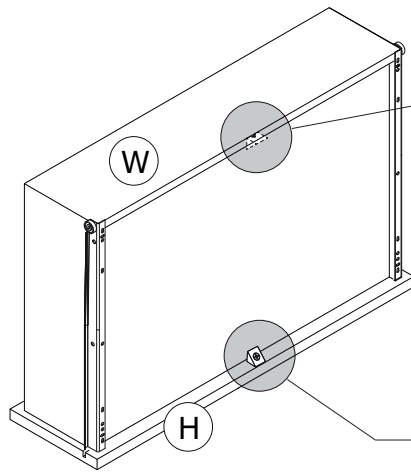
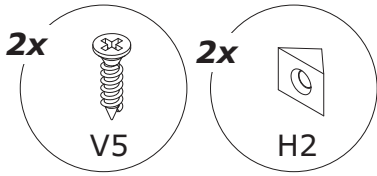
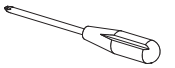
2



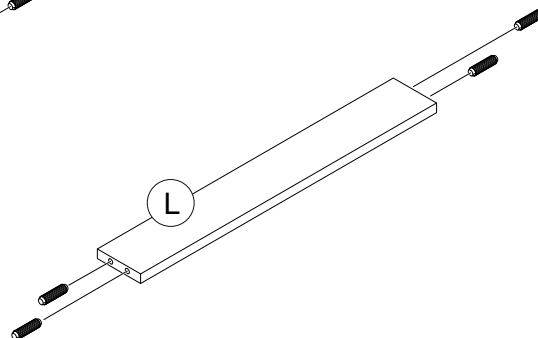
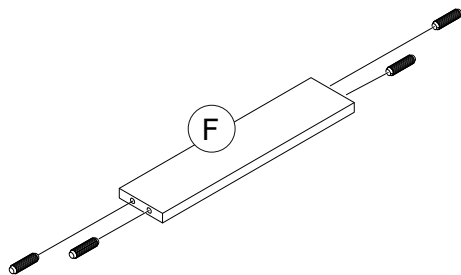
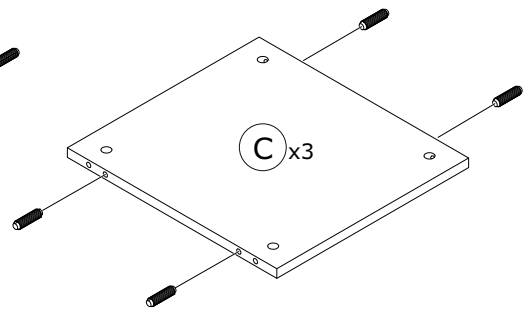
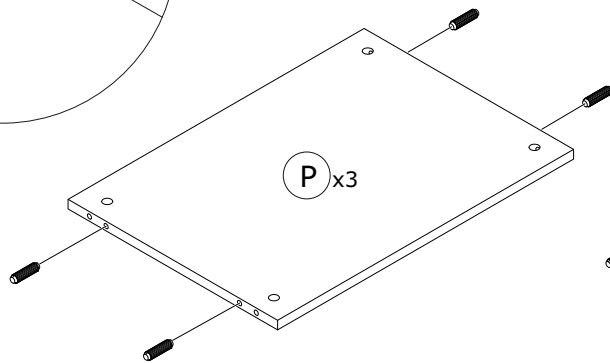
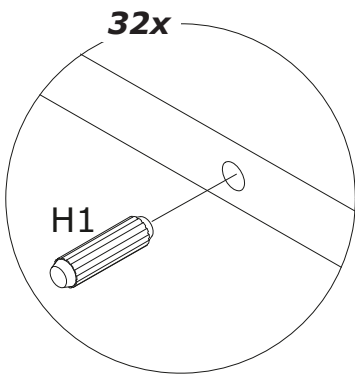
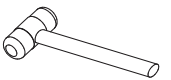
3



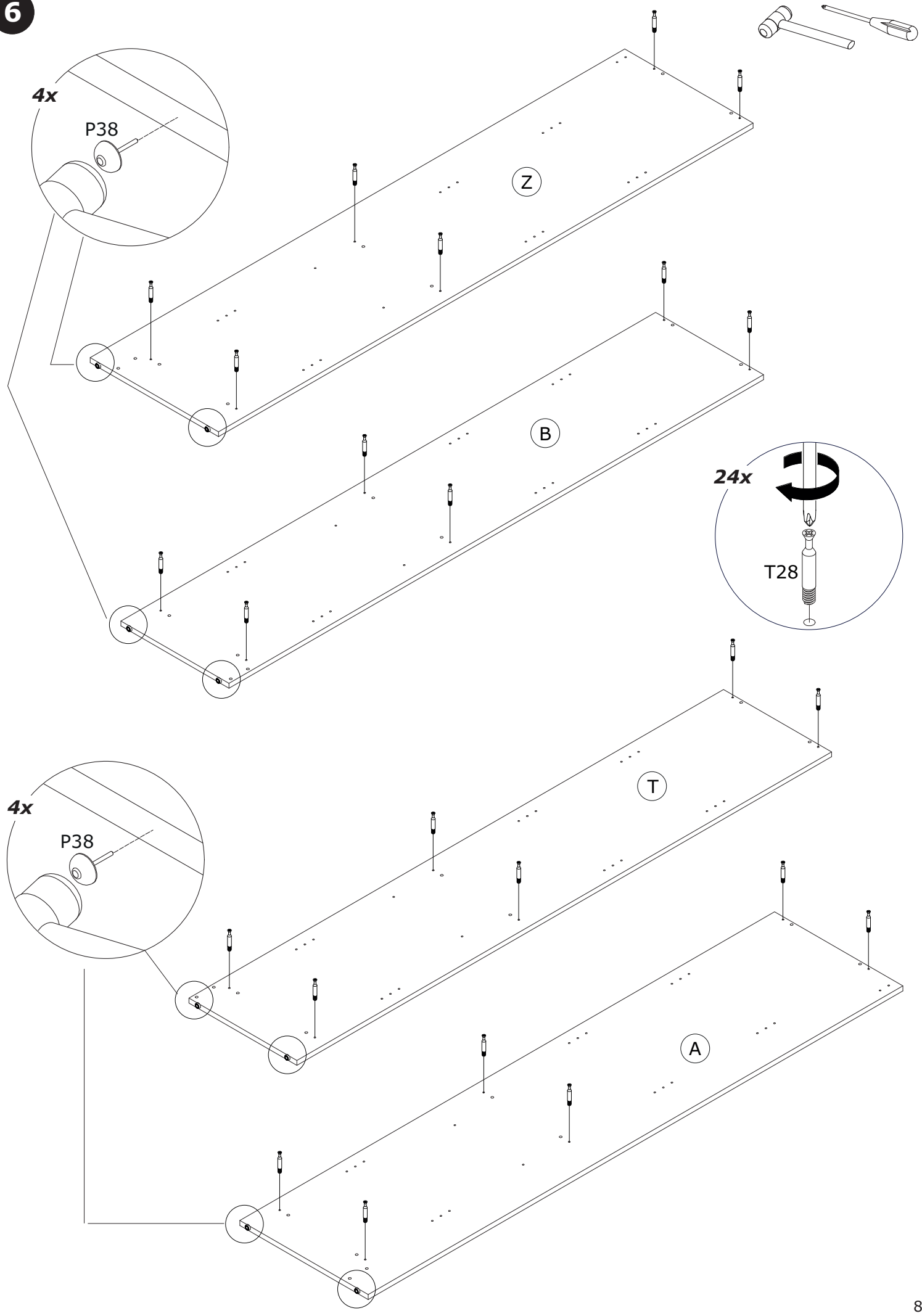
4



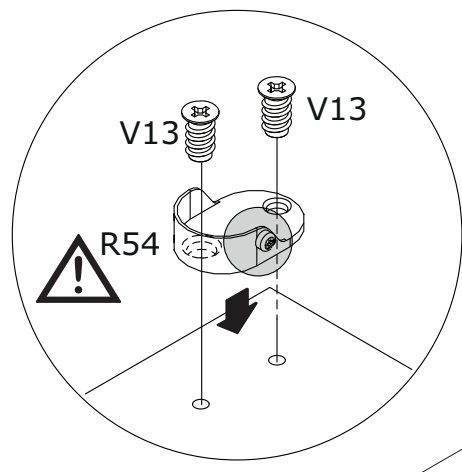
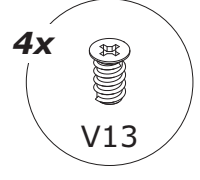
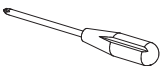
5



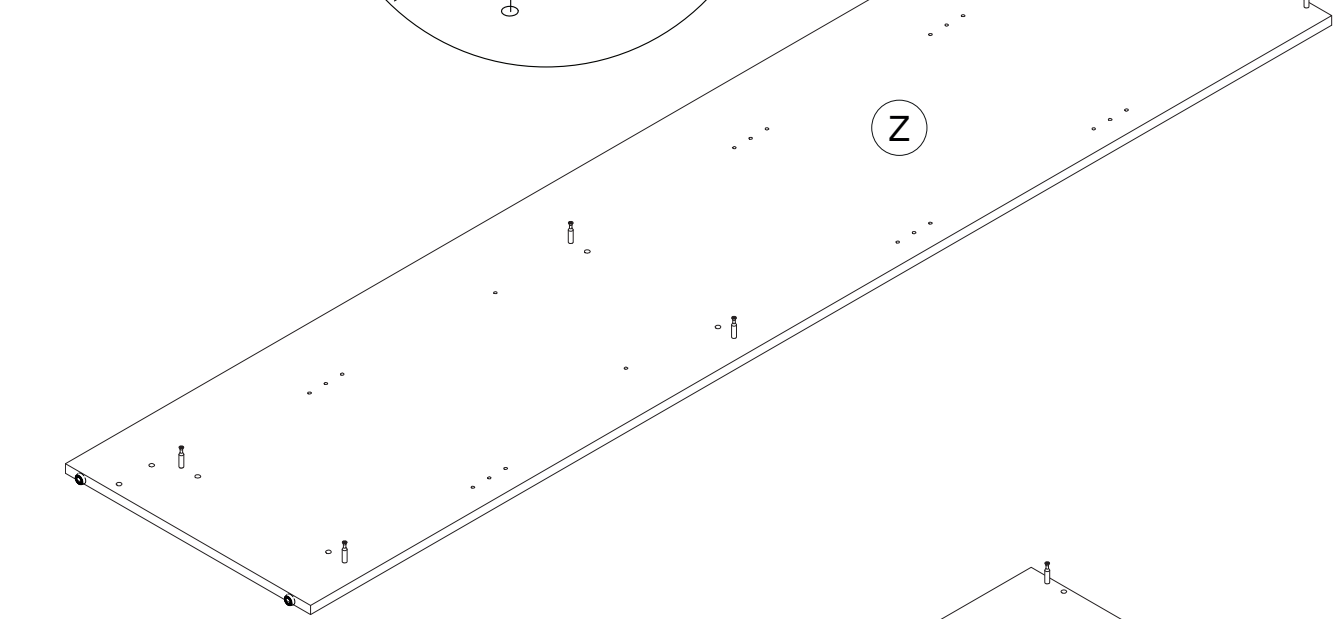
6



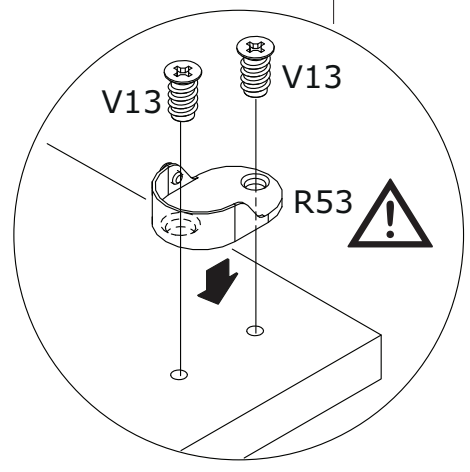
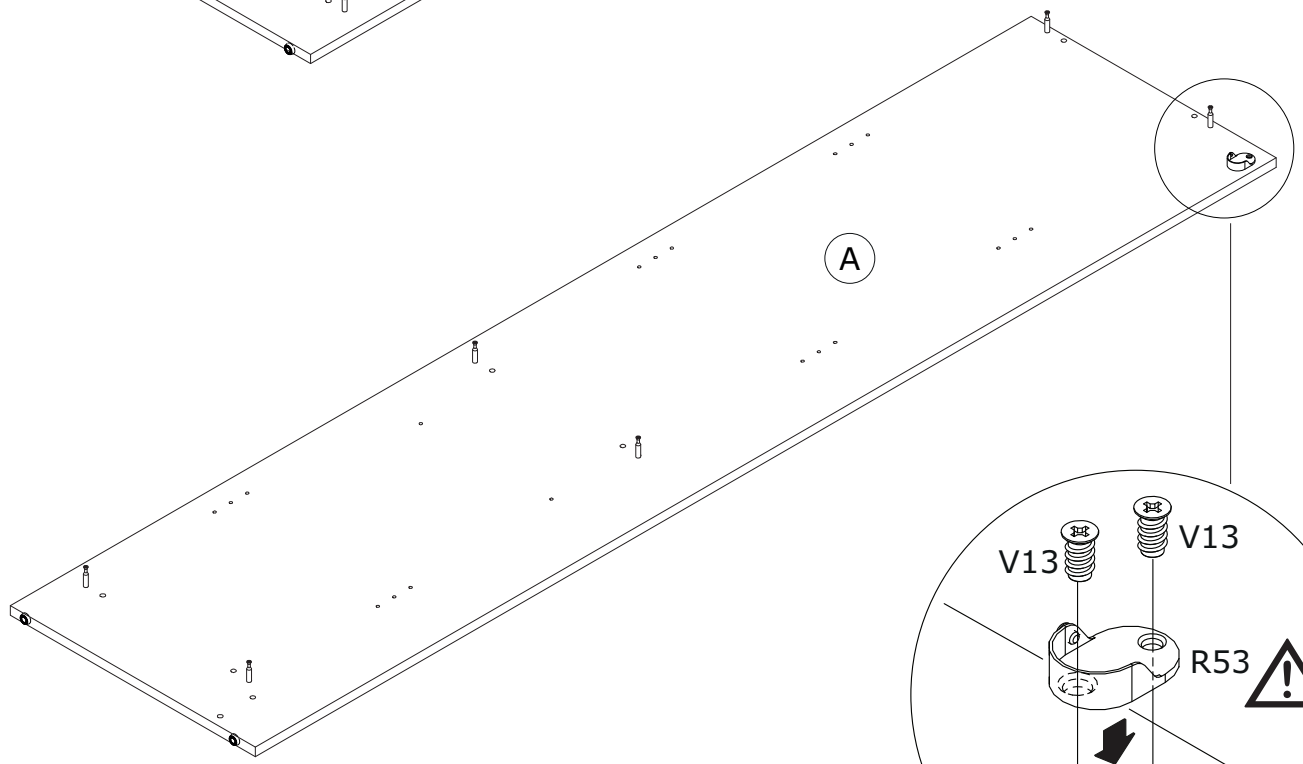
7



Z

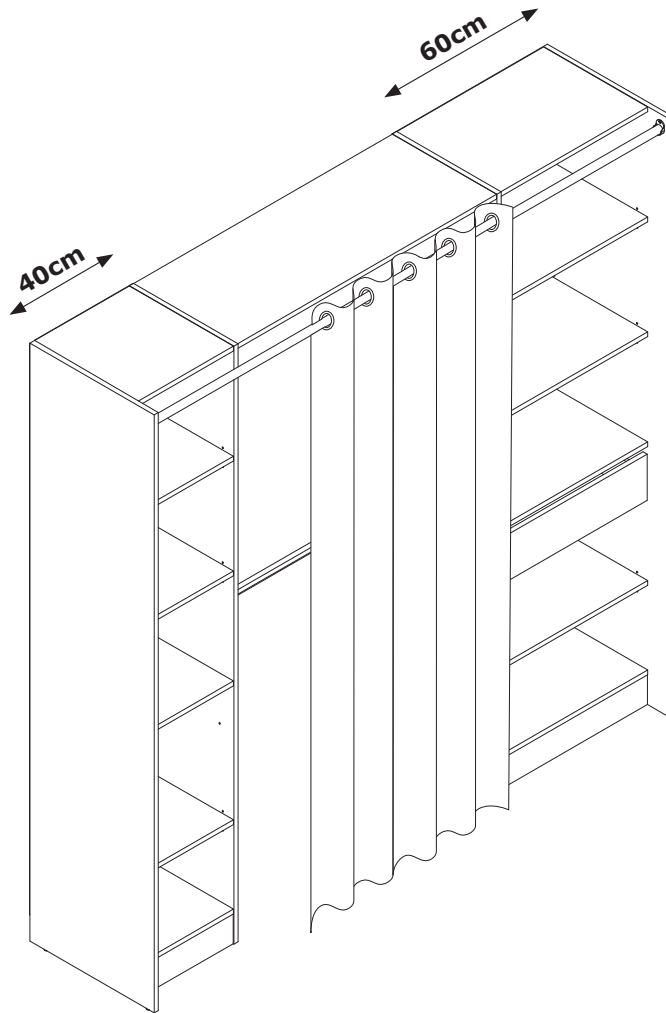


A



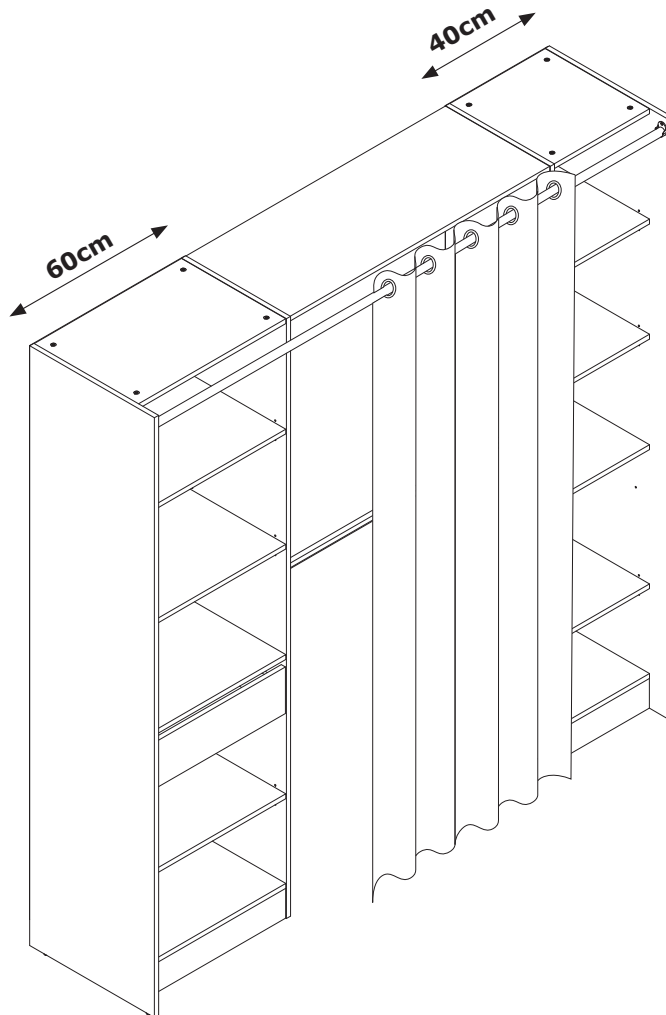
A

8-27

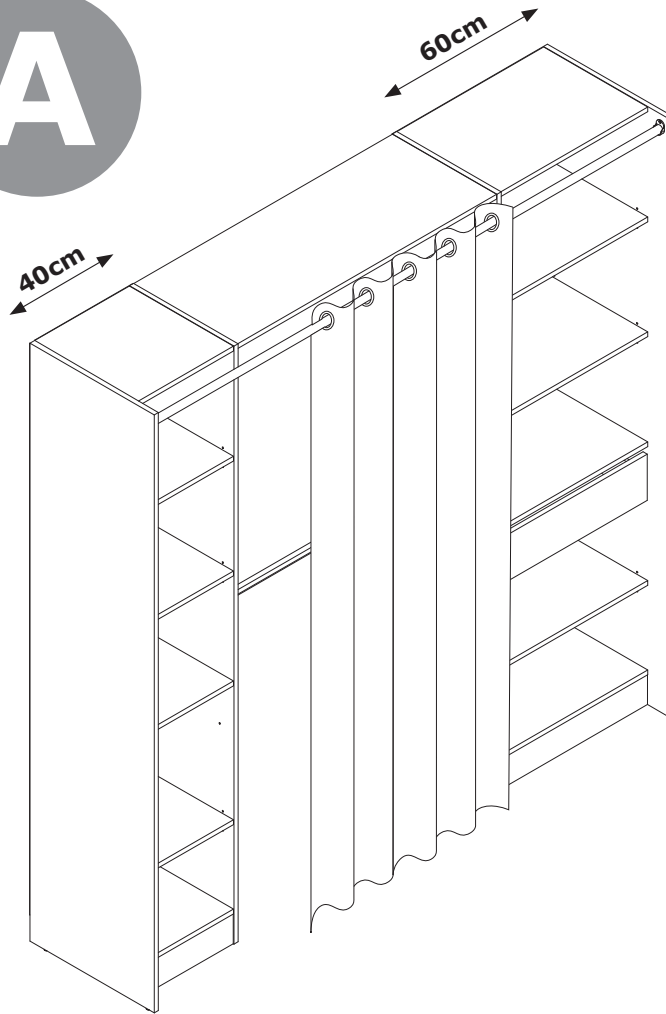


B

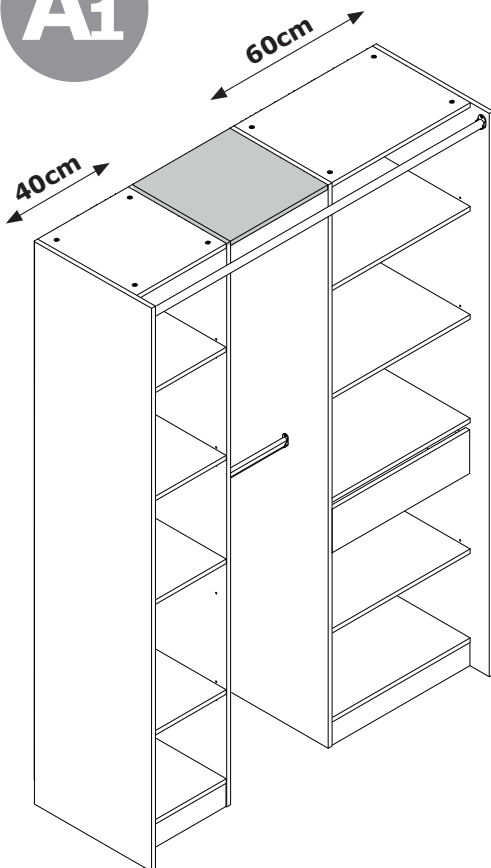
28-46



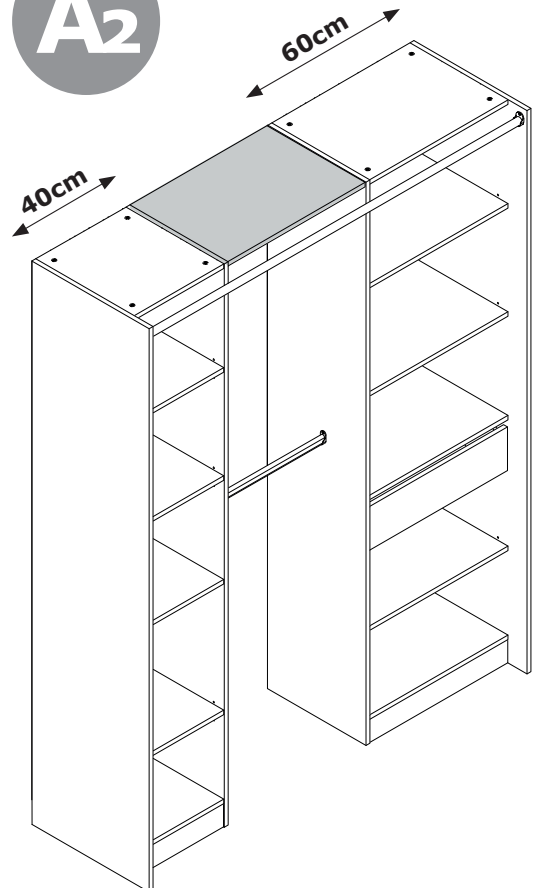
A



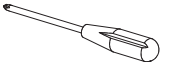
A₁



A₂

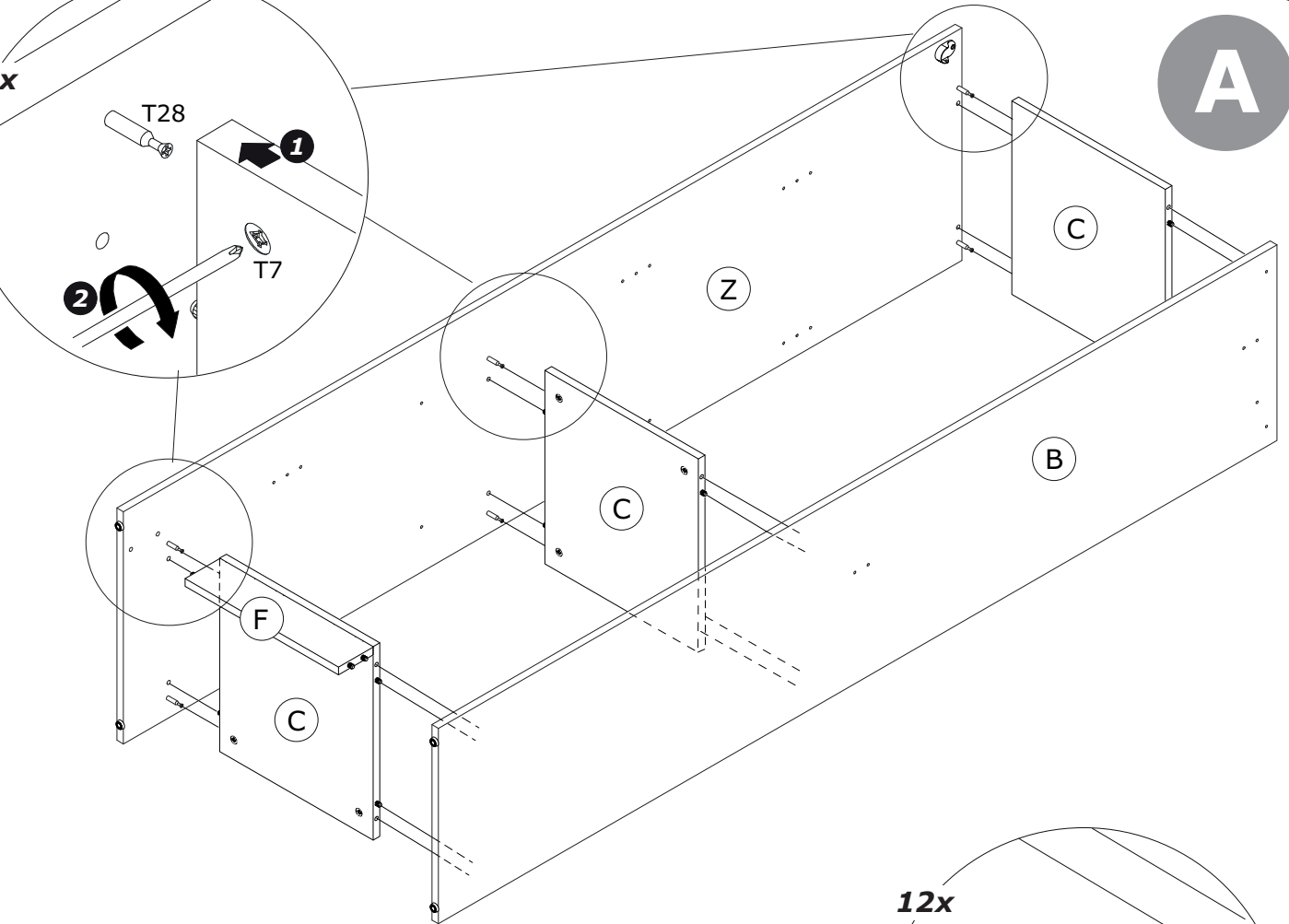
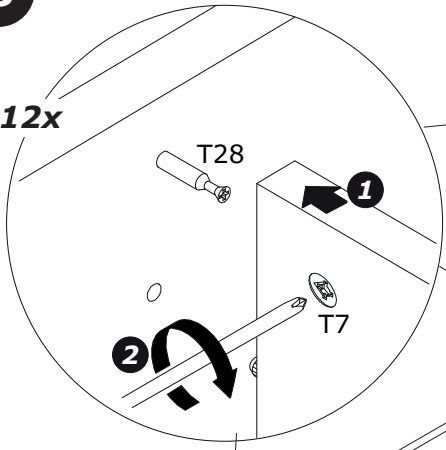


8

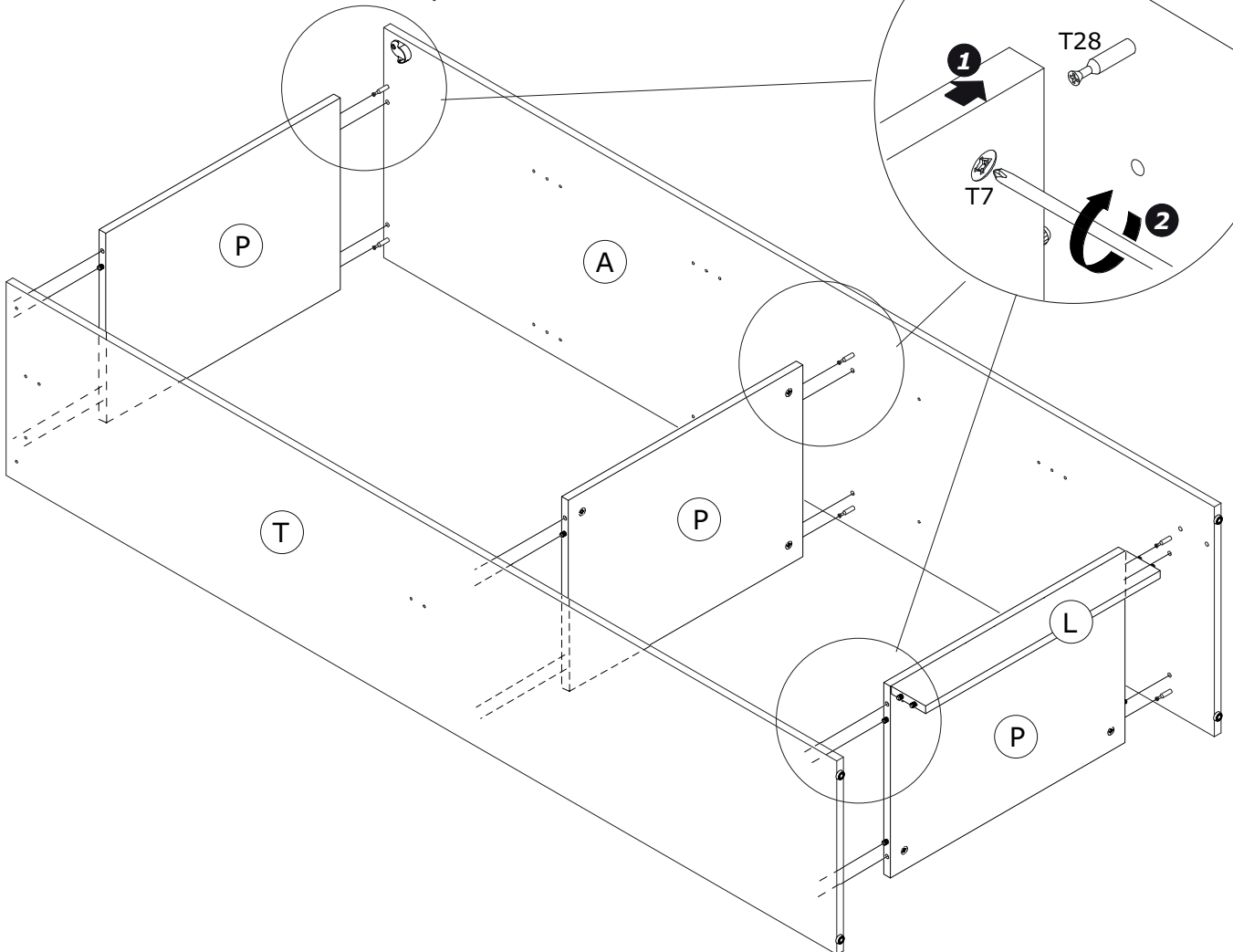
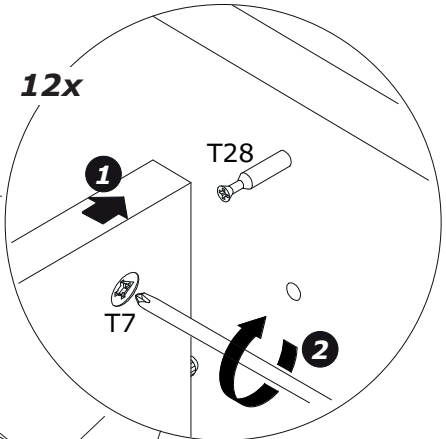


A

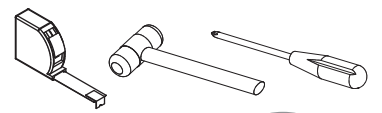
12x



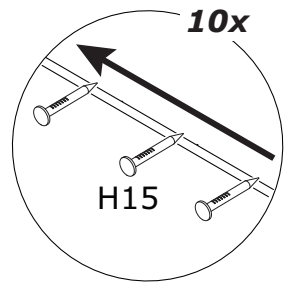
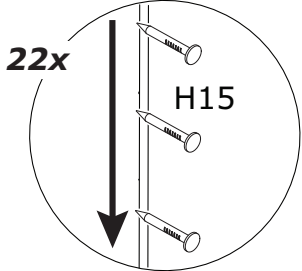
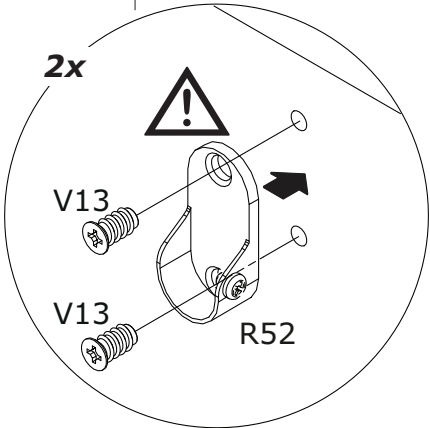
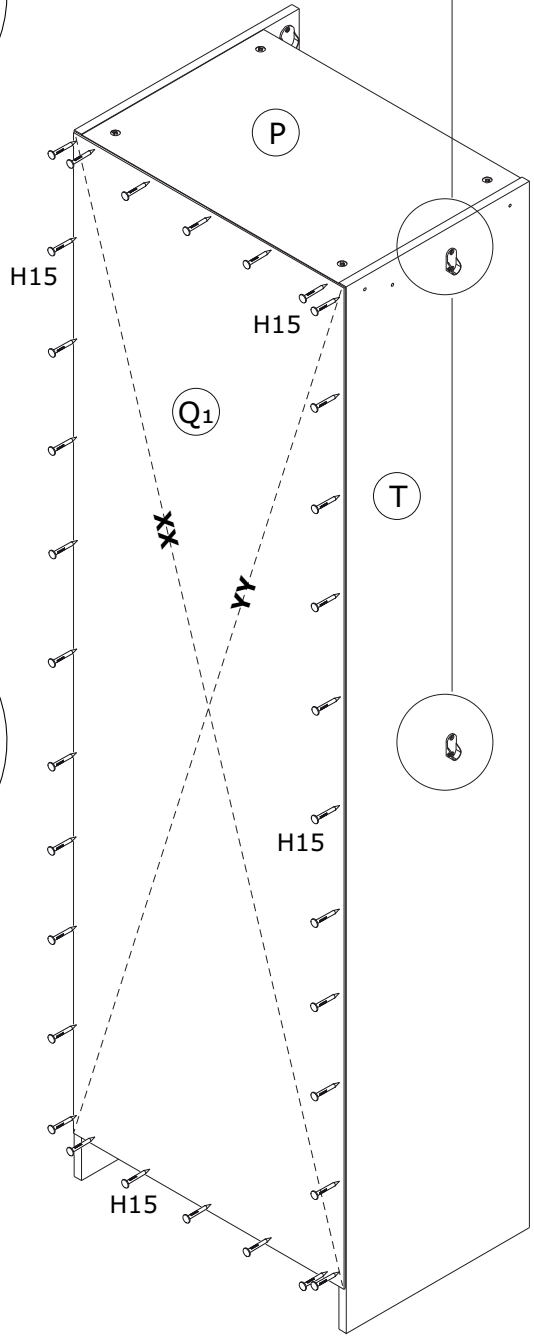
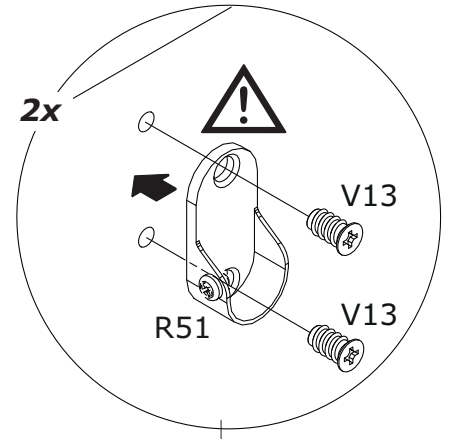
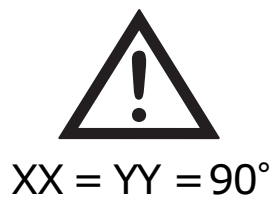
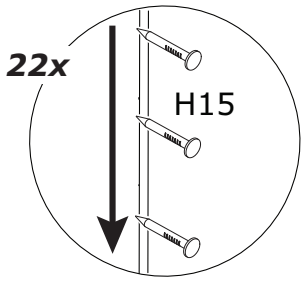
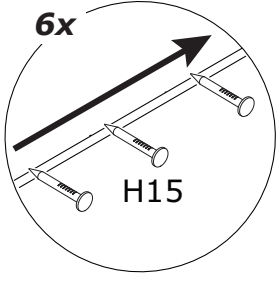
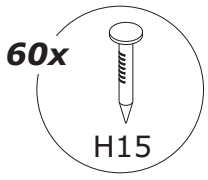
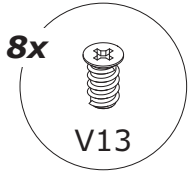
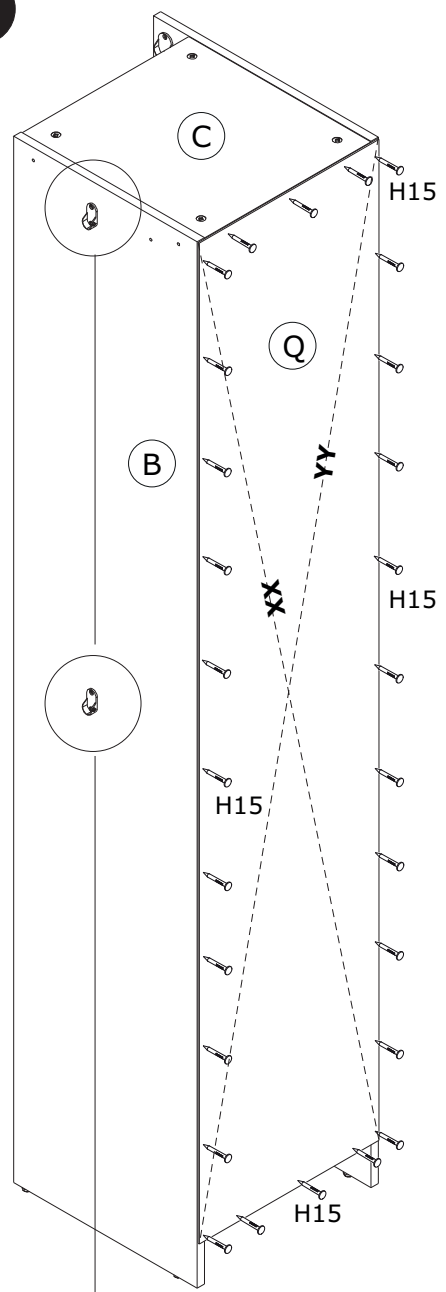
12x

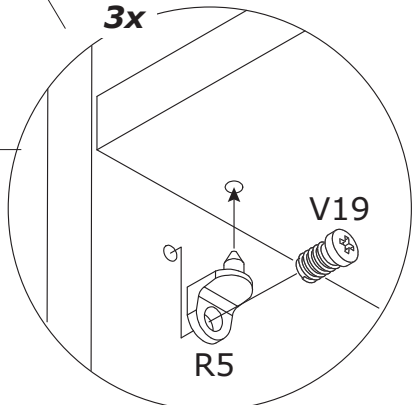
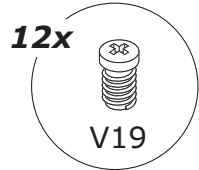
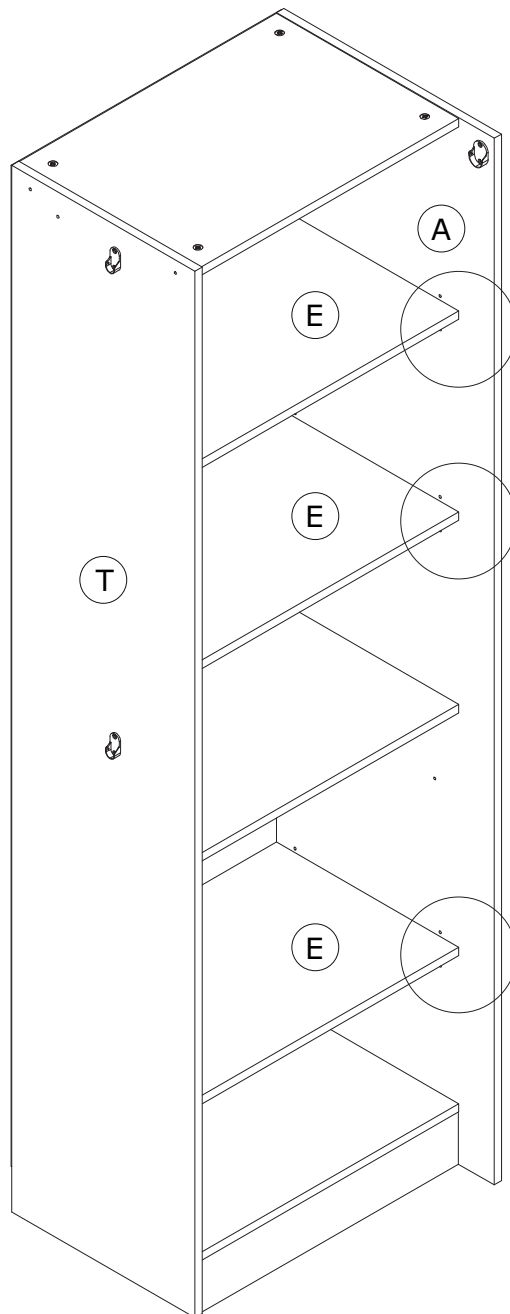
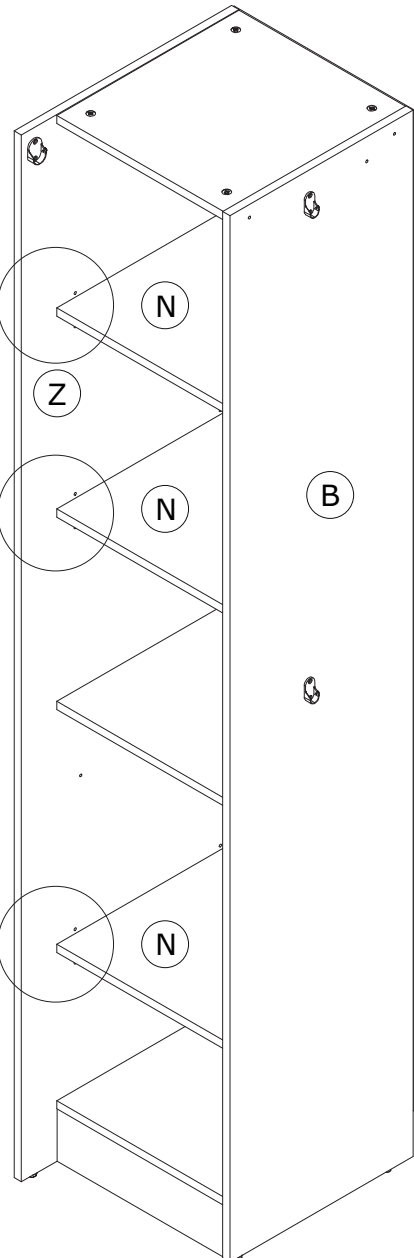
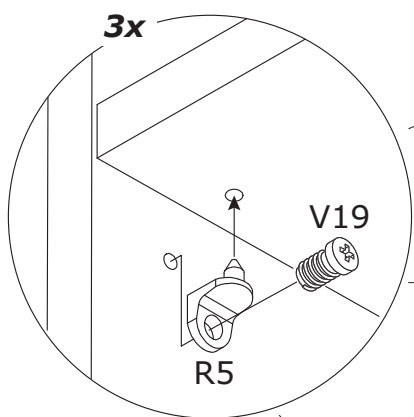
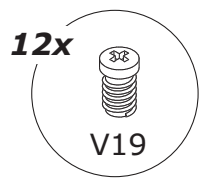
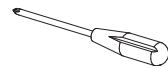


9

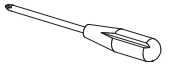


A

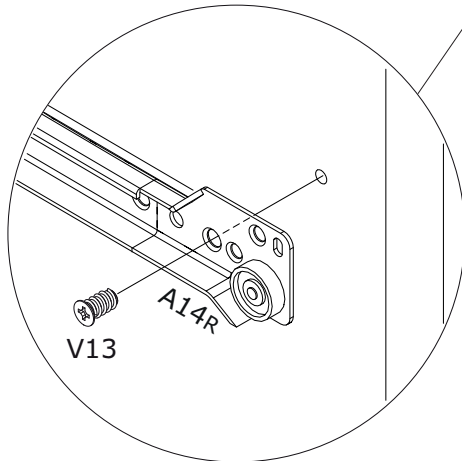
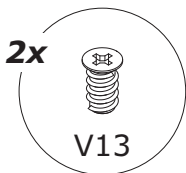
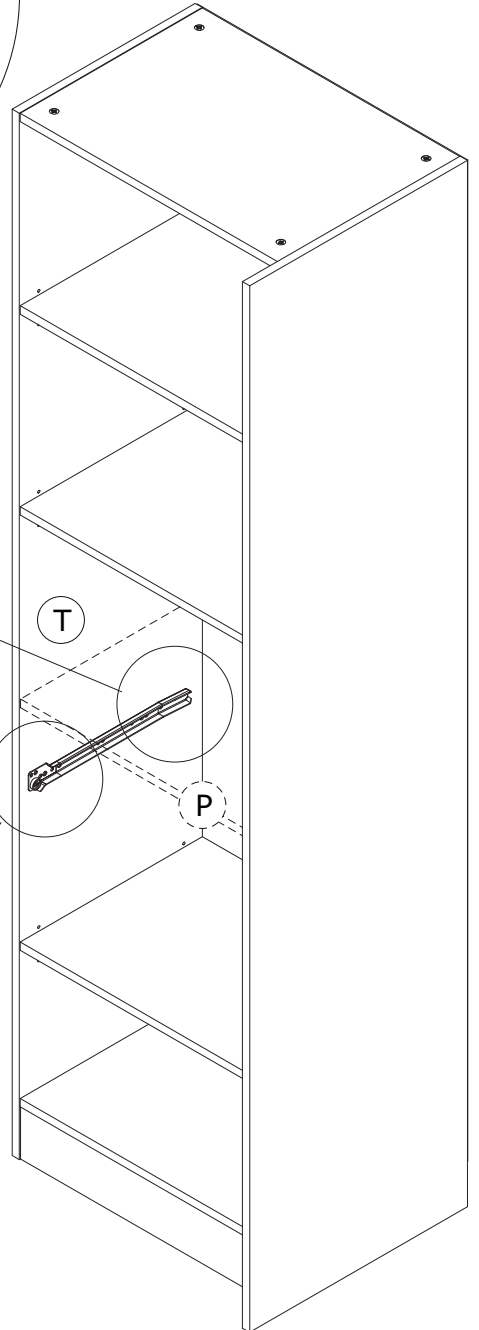
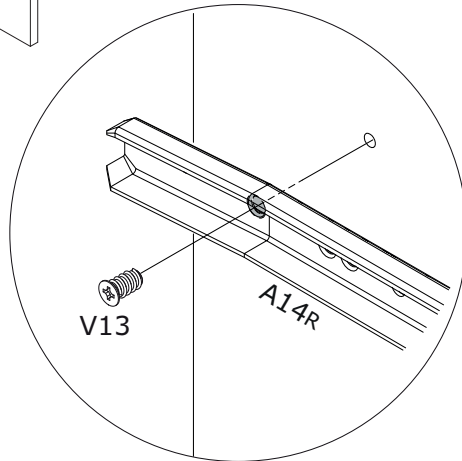
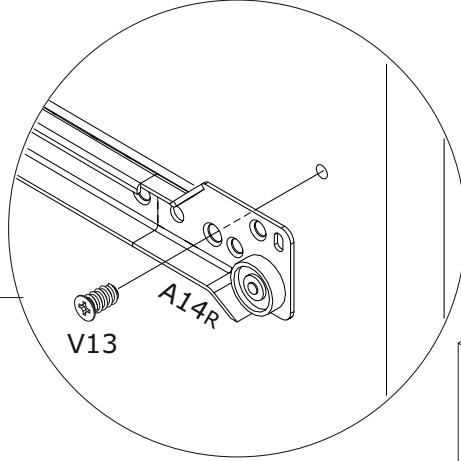
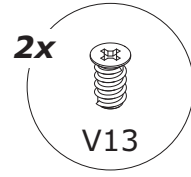
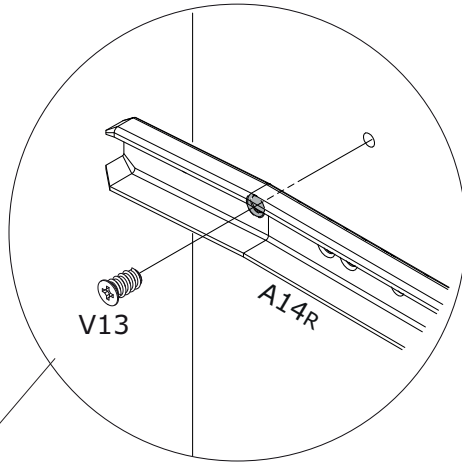
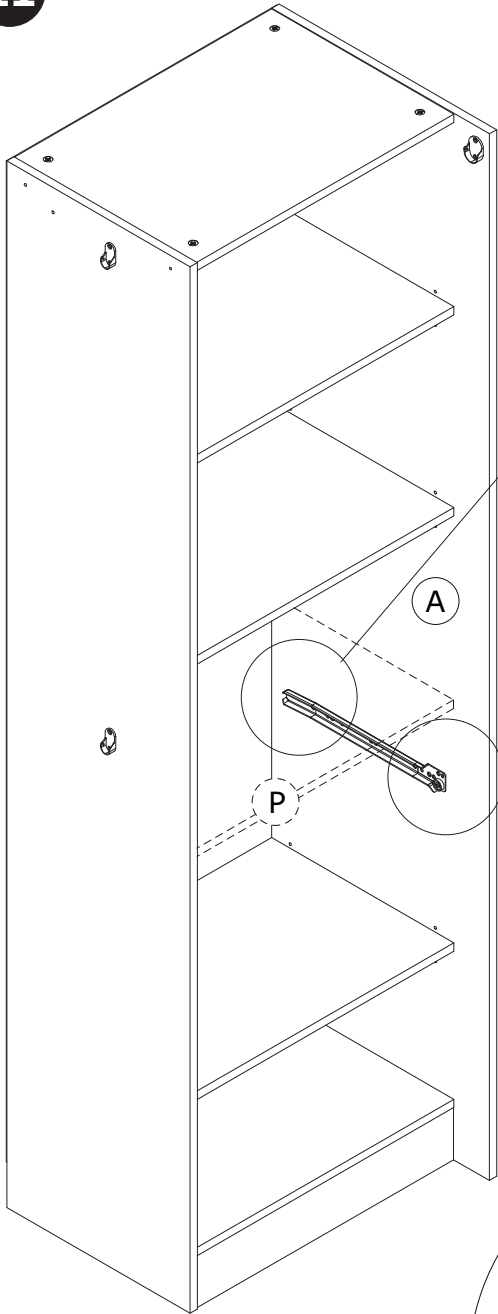




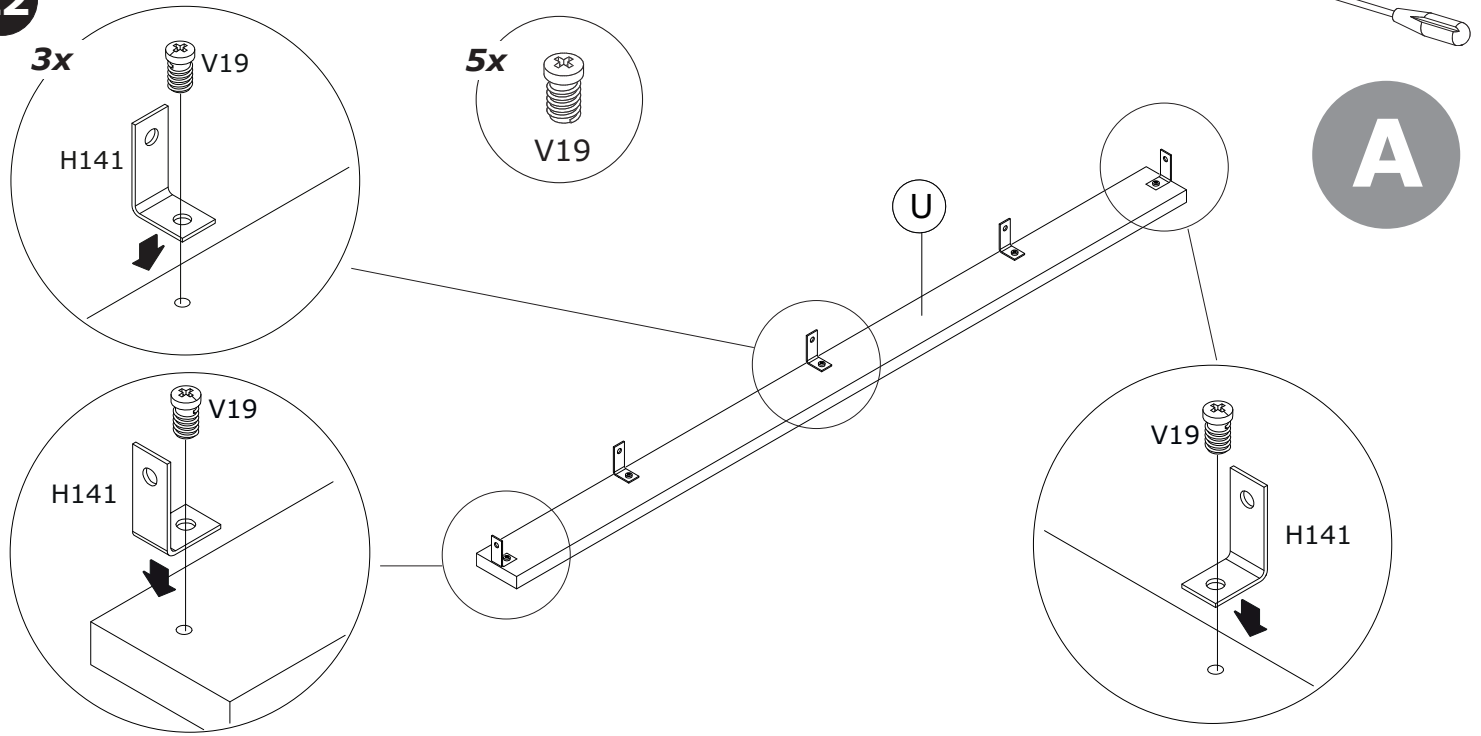
11



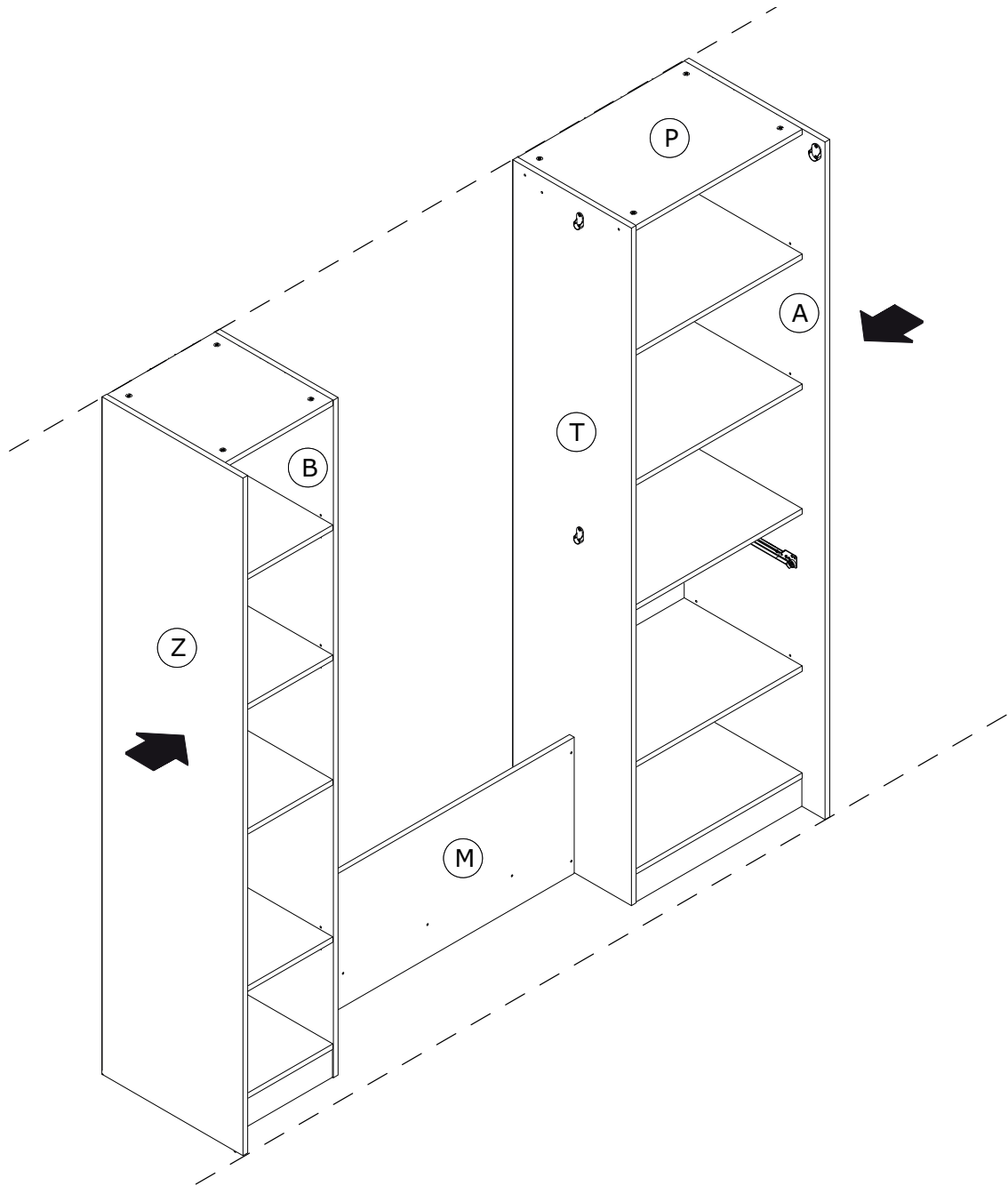
A



12

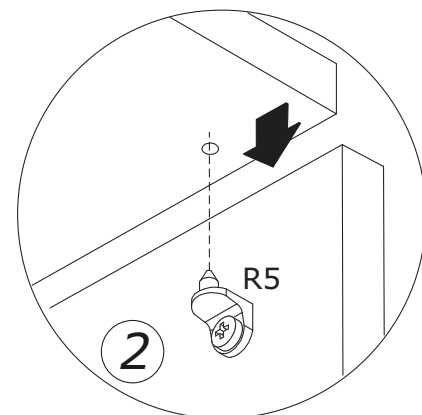
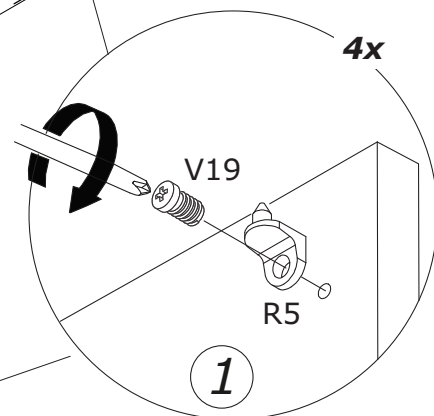
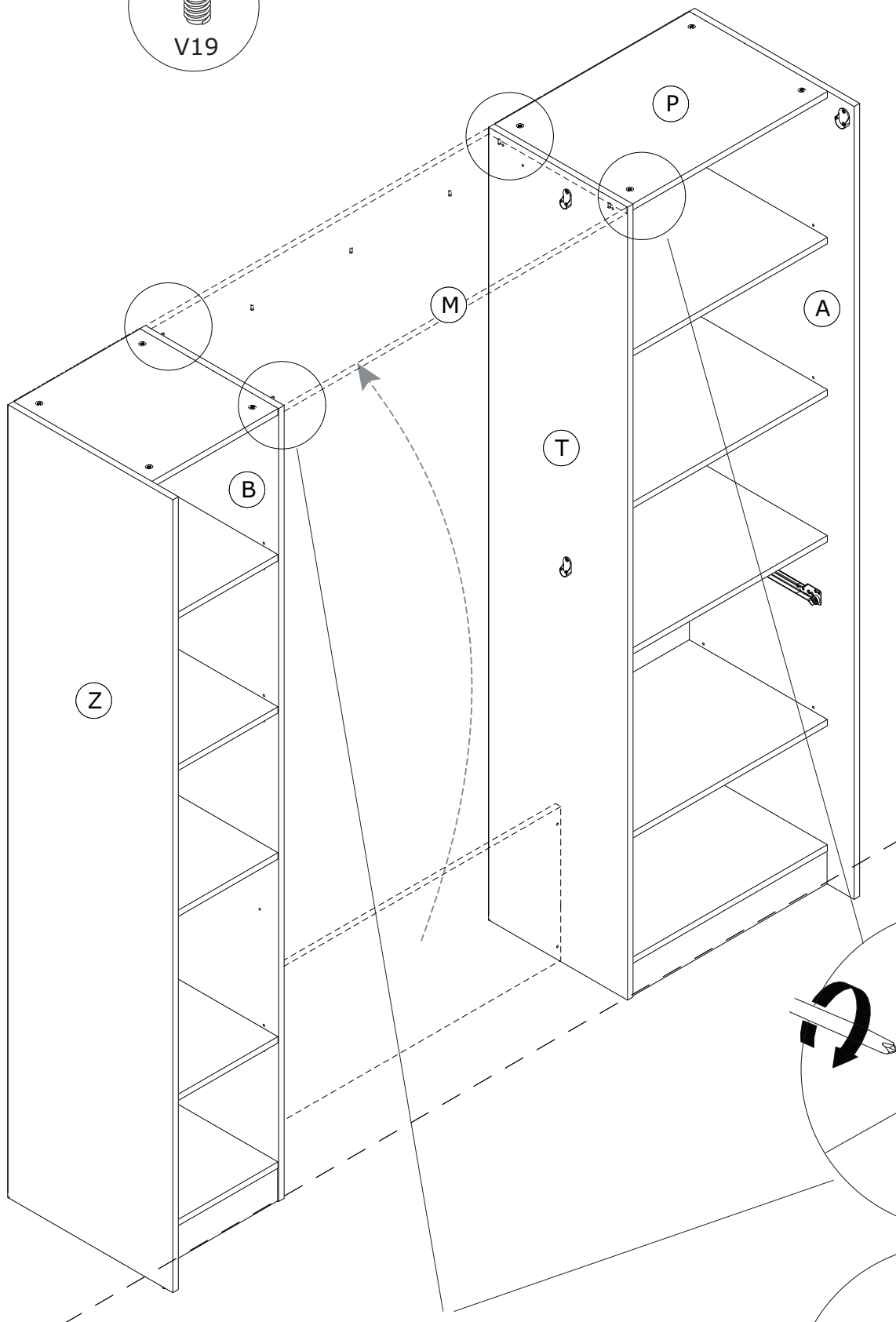
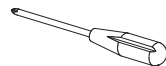


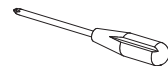
13



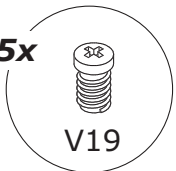
14

4x

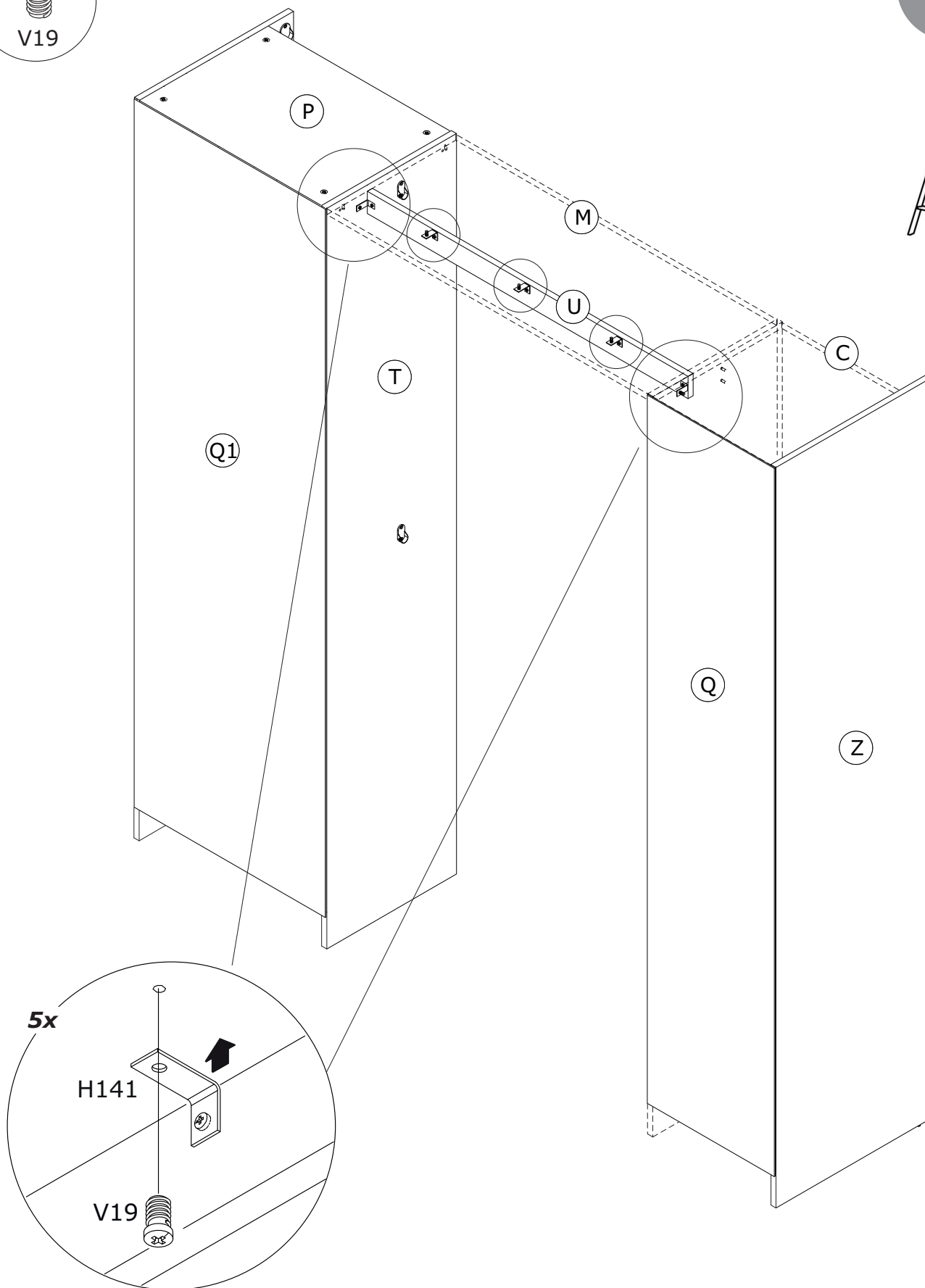




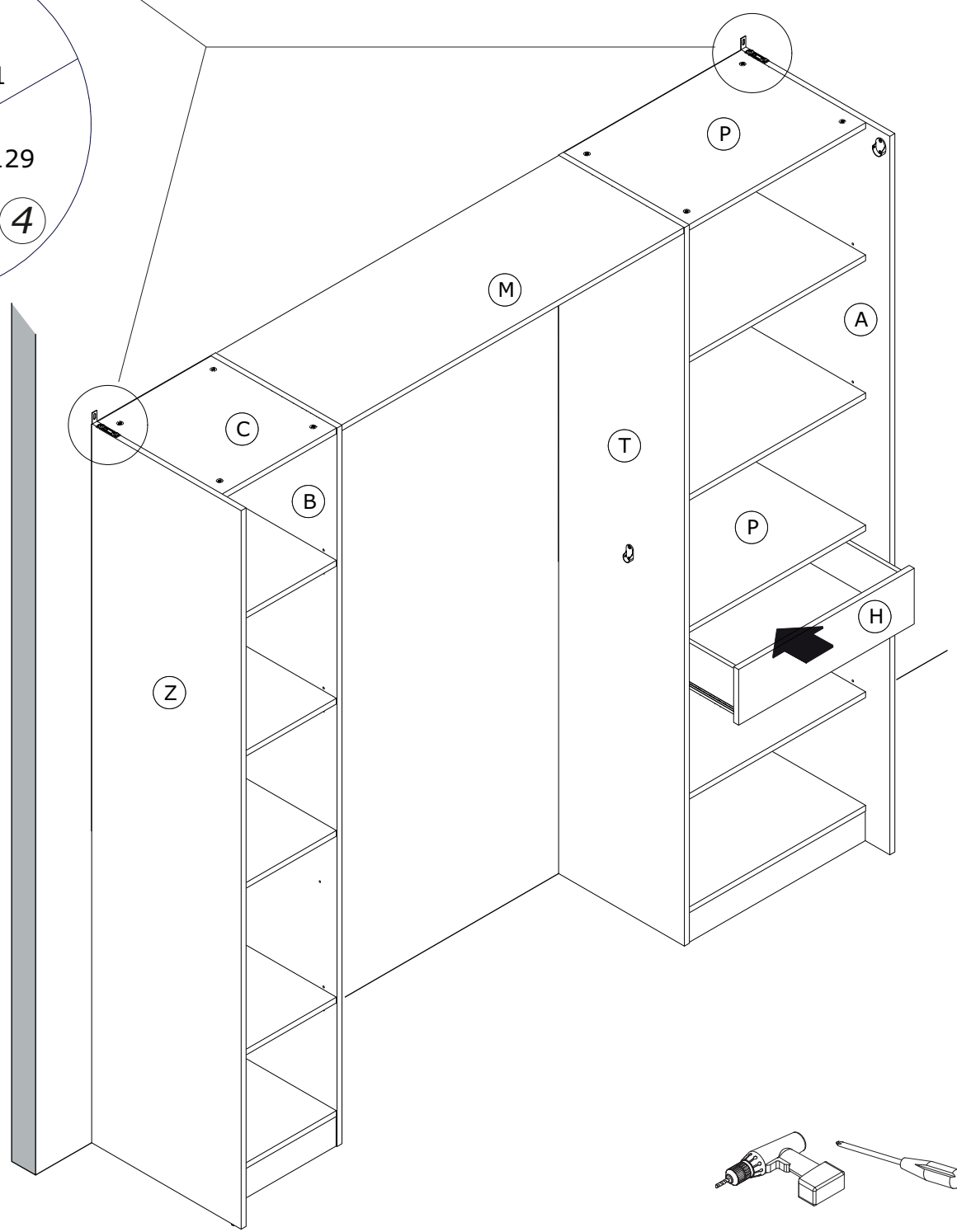
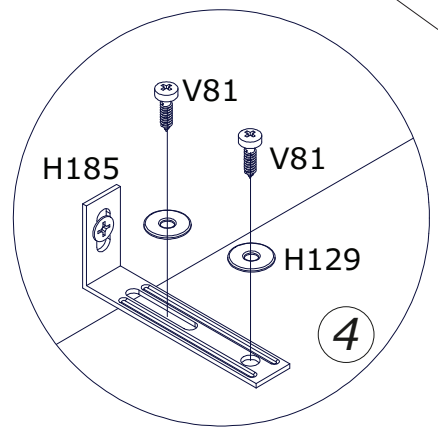
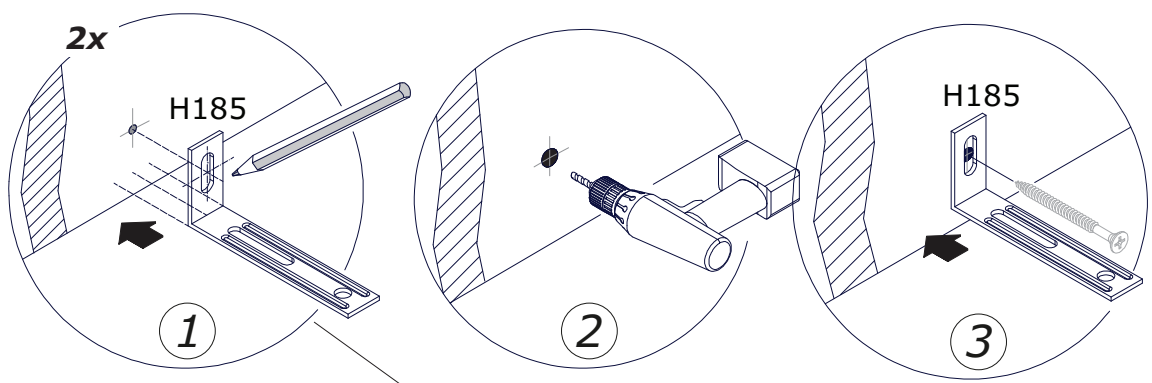
5x

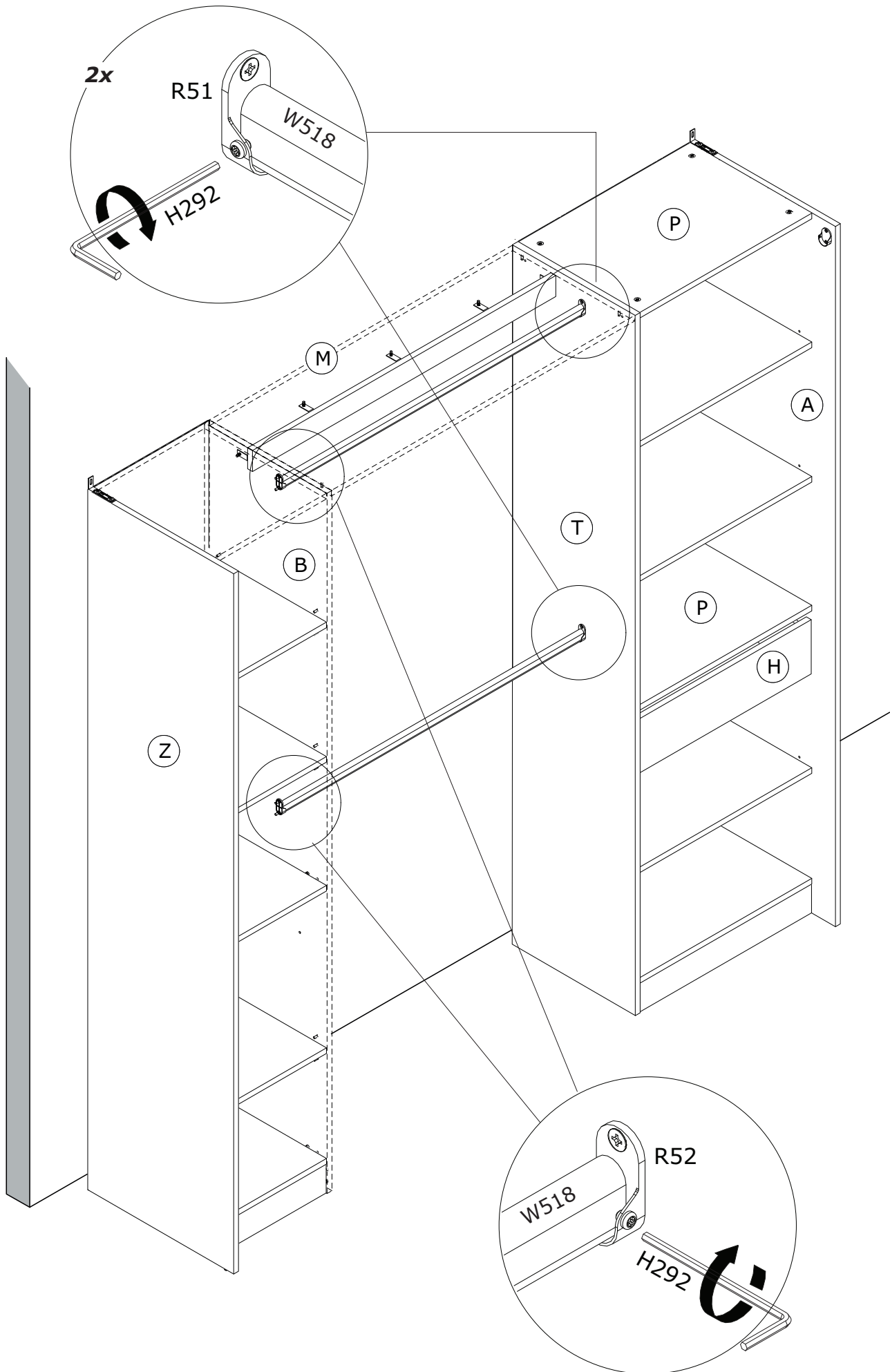


V19

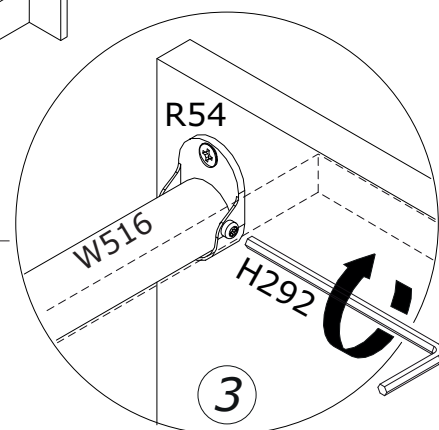
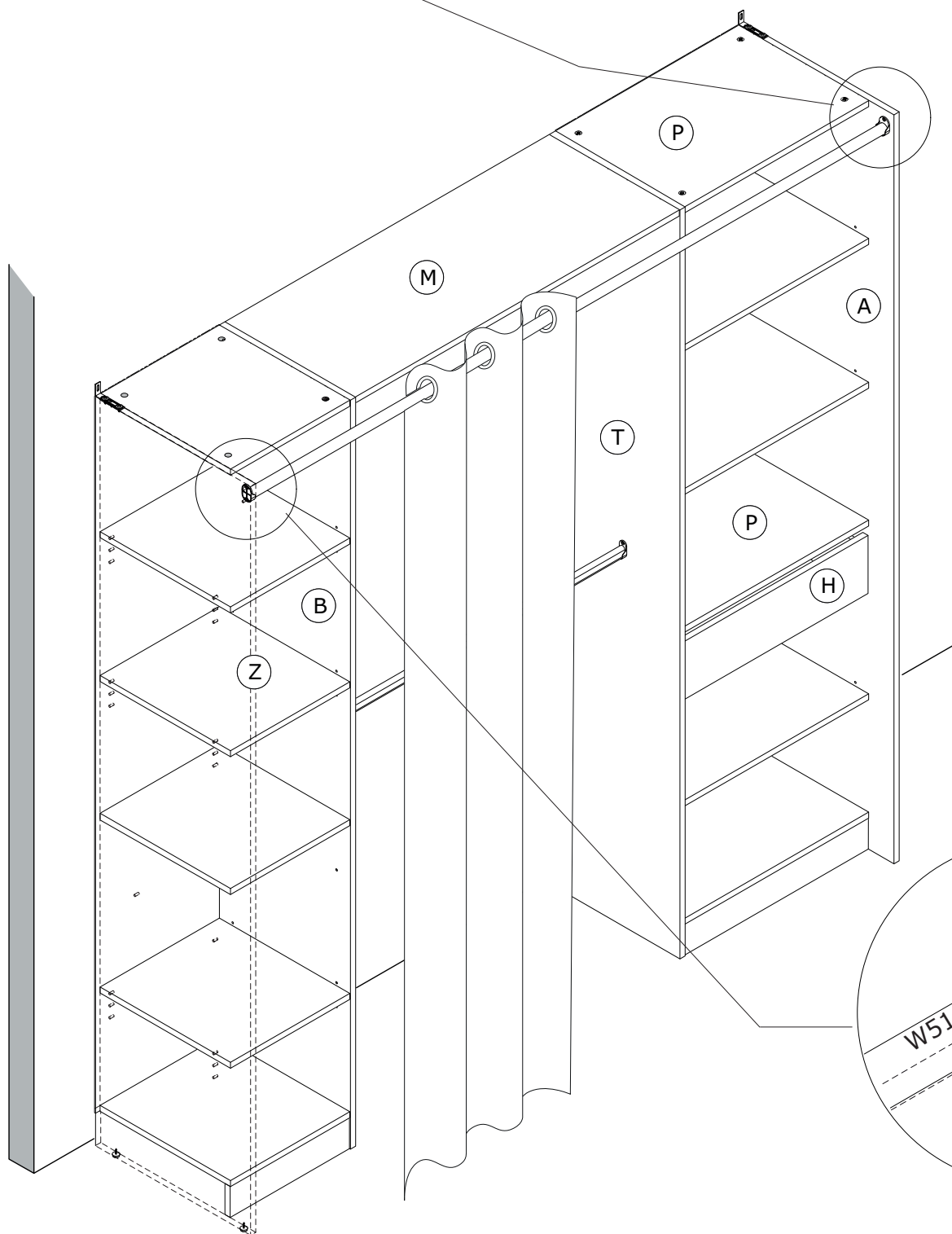
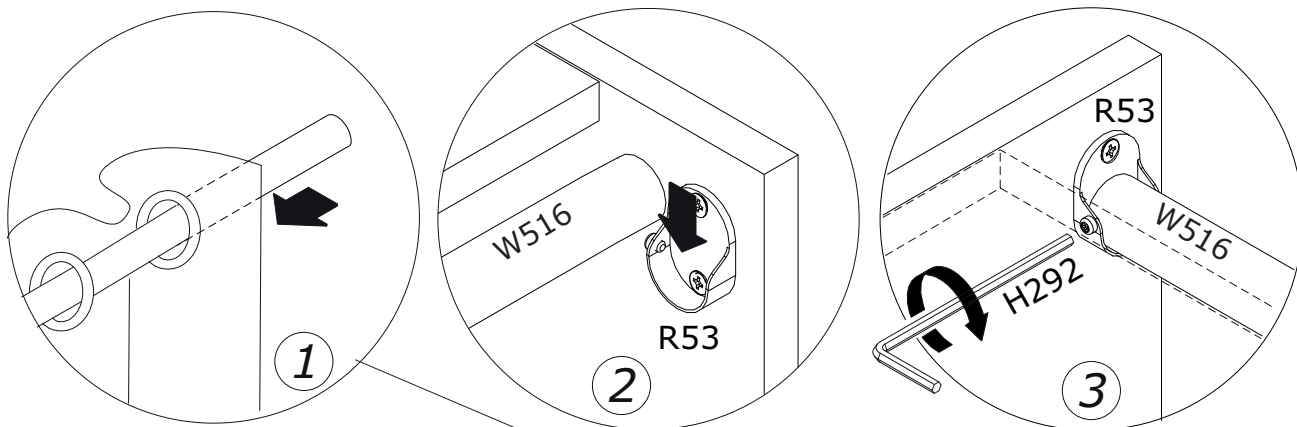


A

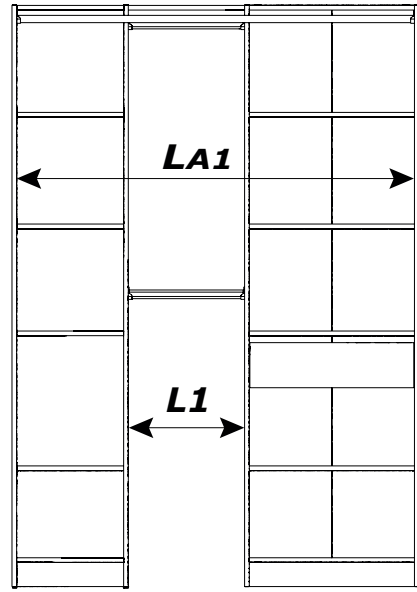
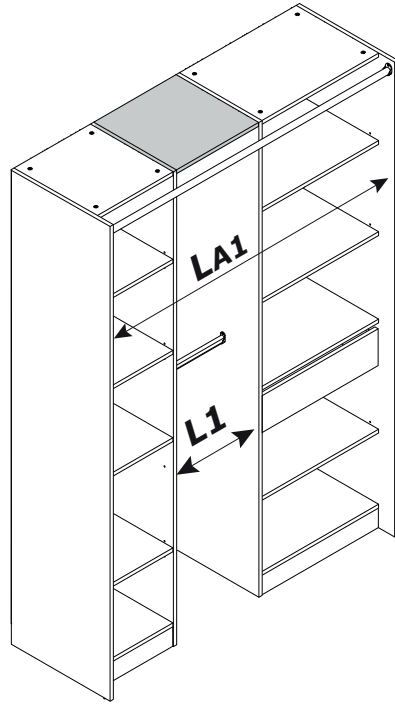




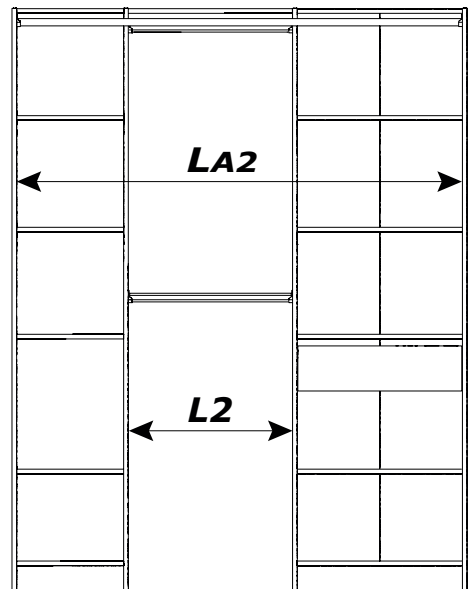
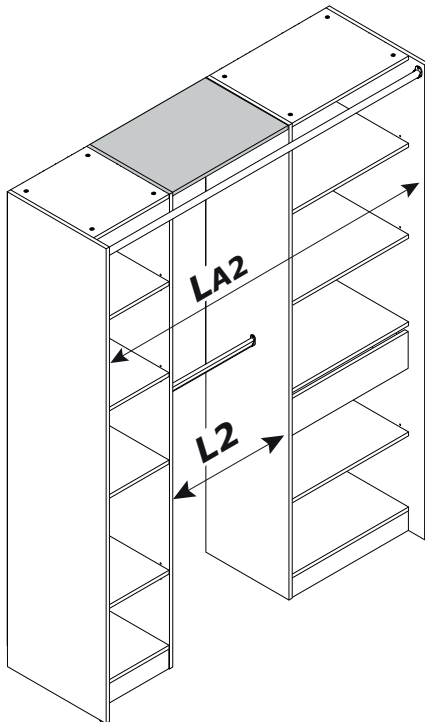
A



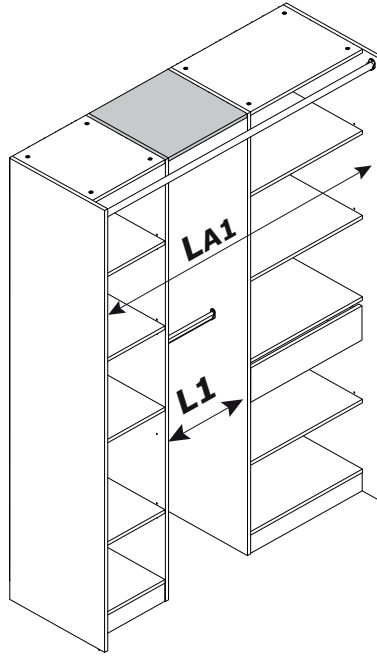
A₁



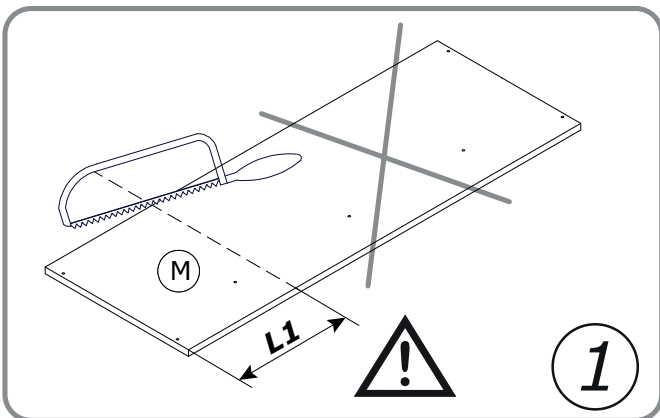
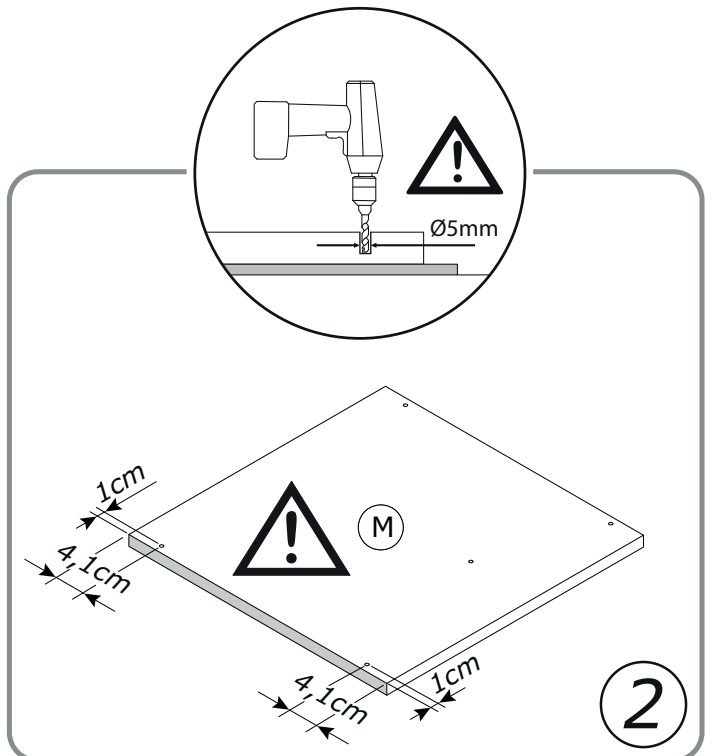
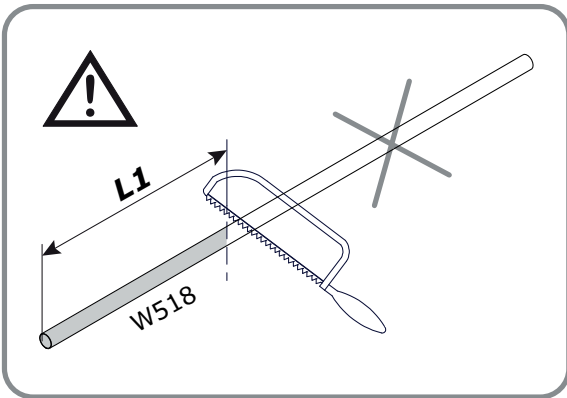
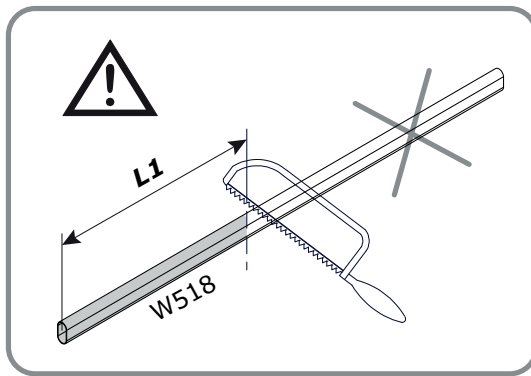
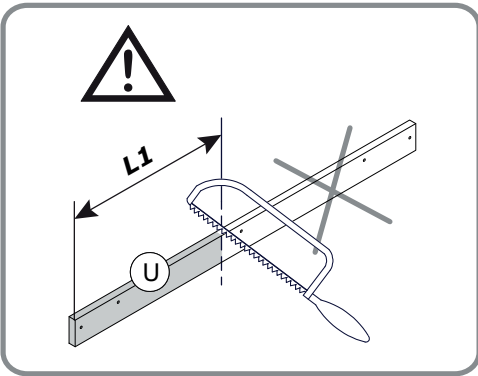
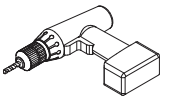
A₂



A₁

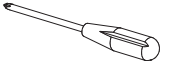


20

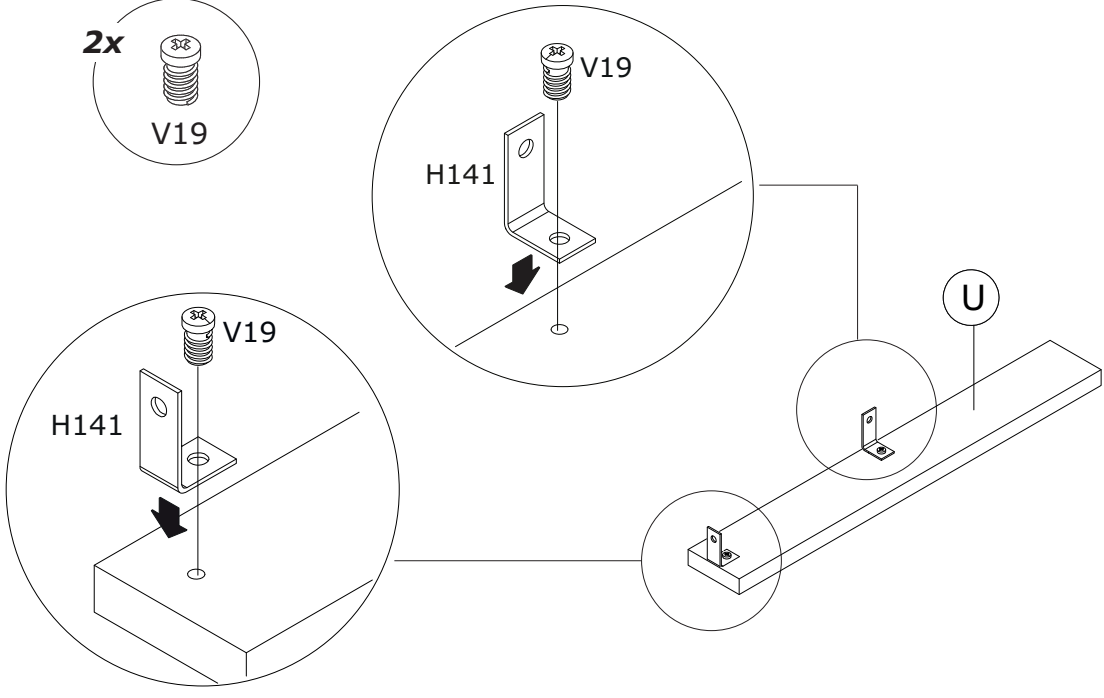


21

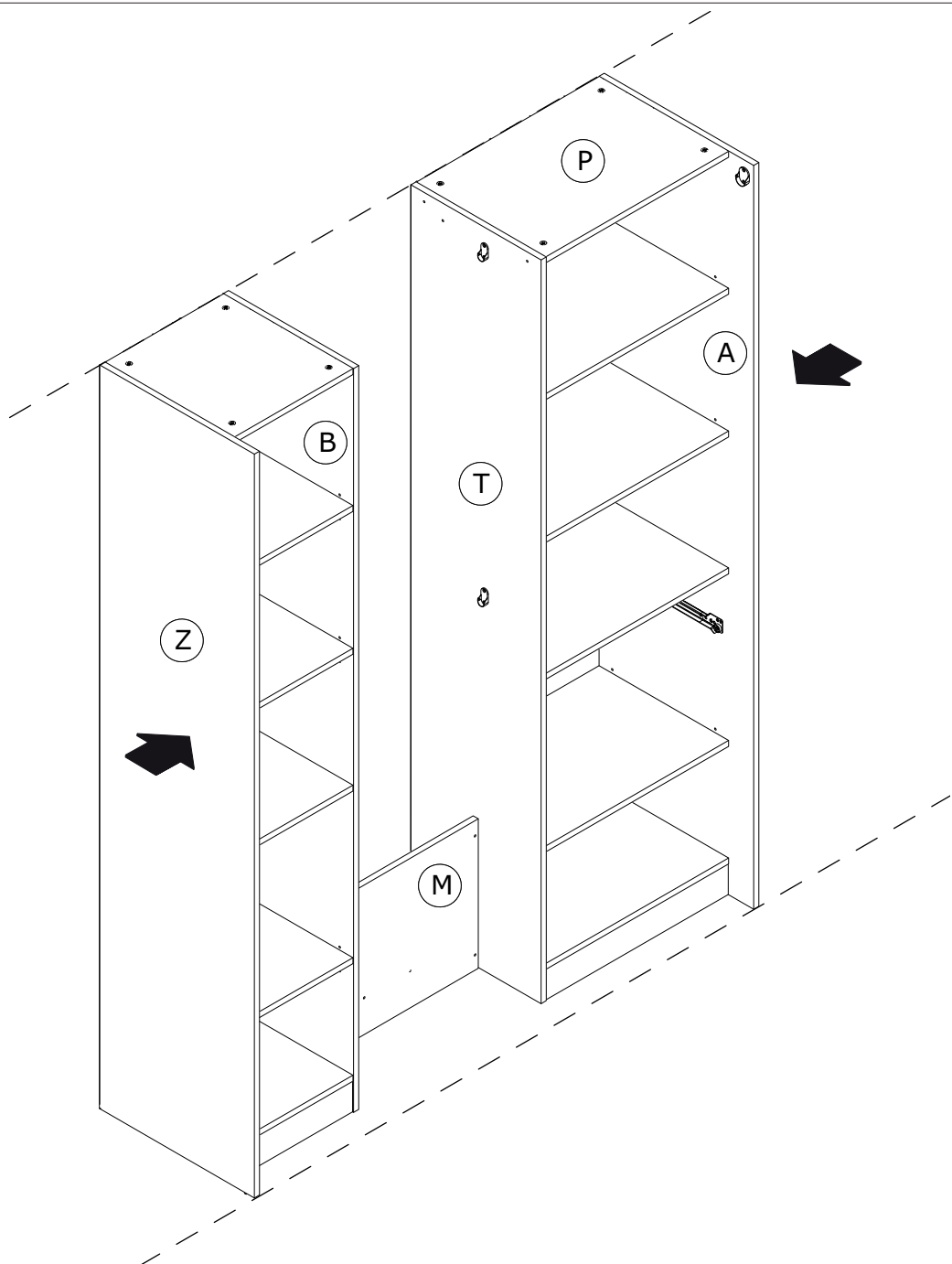
2x

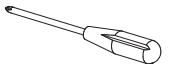


A1

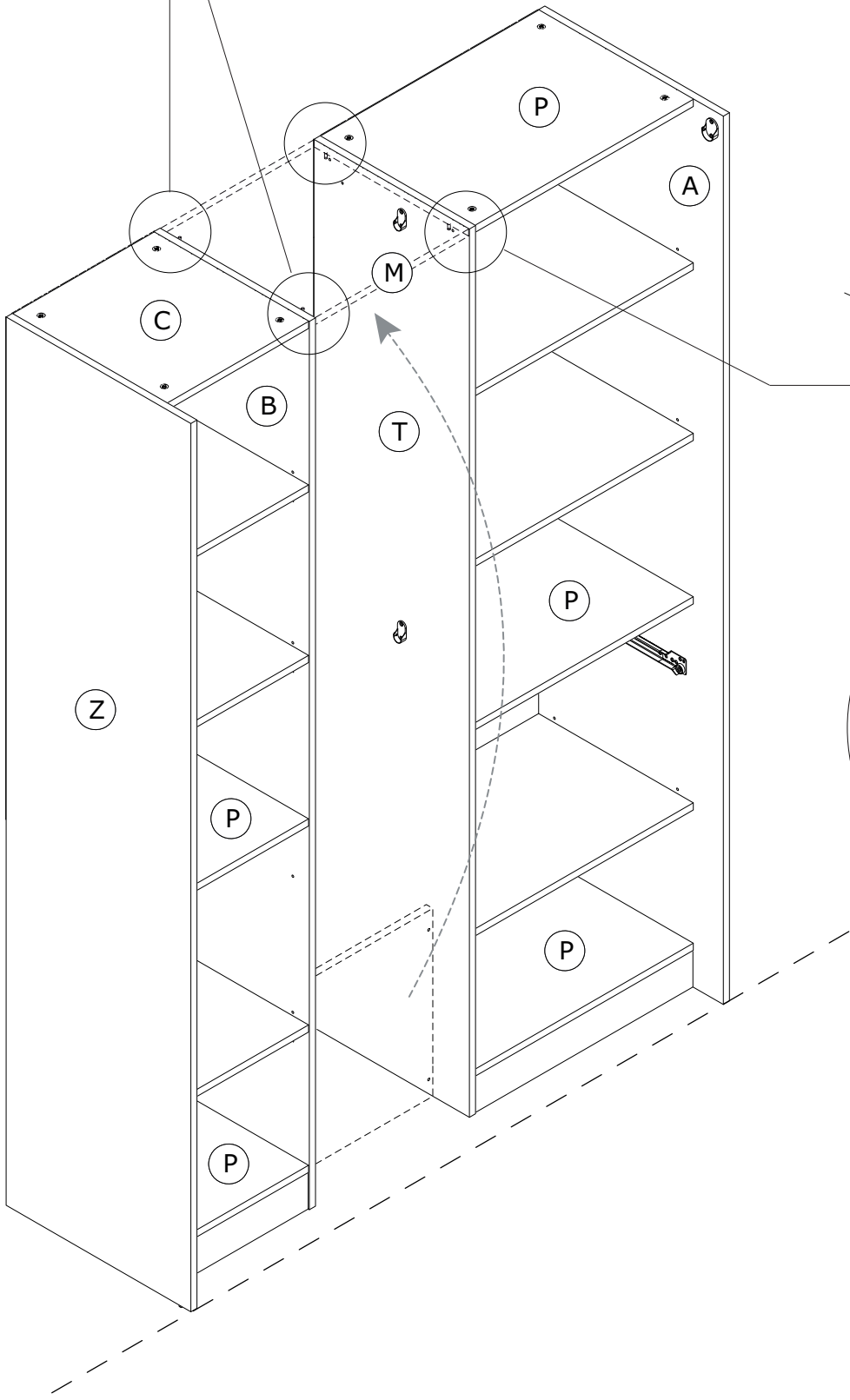
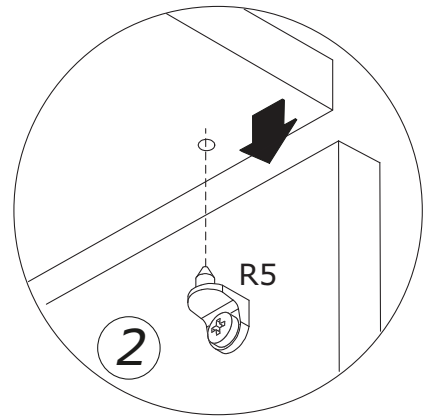
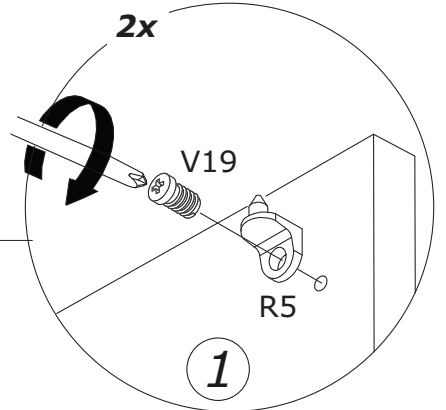
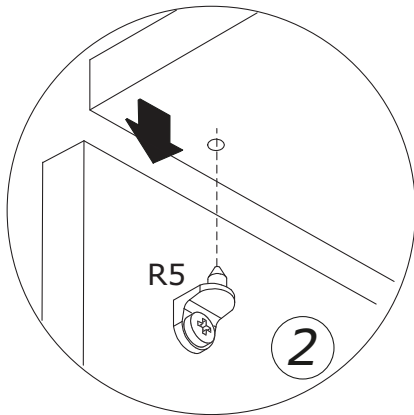
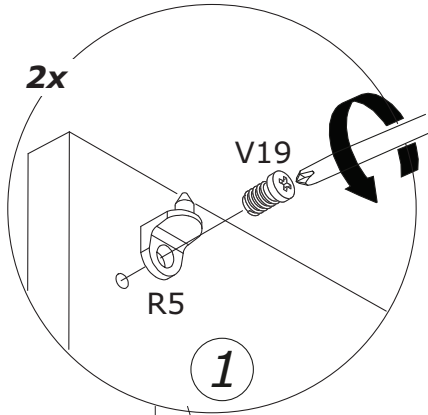


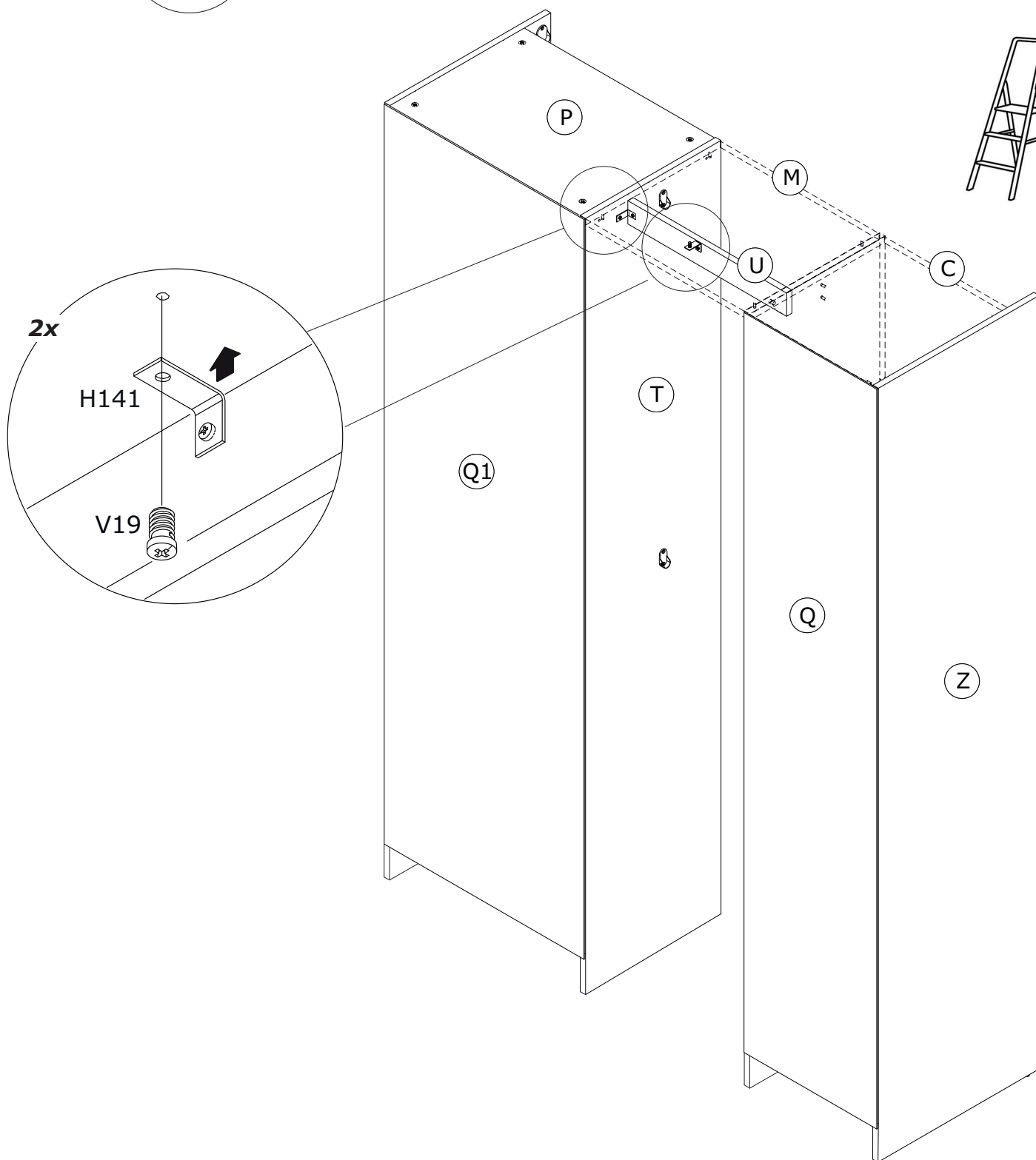
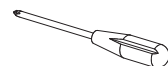
22





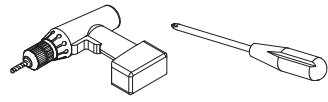
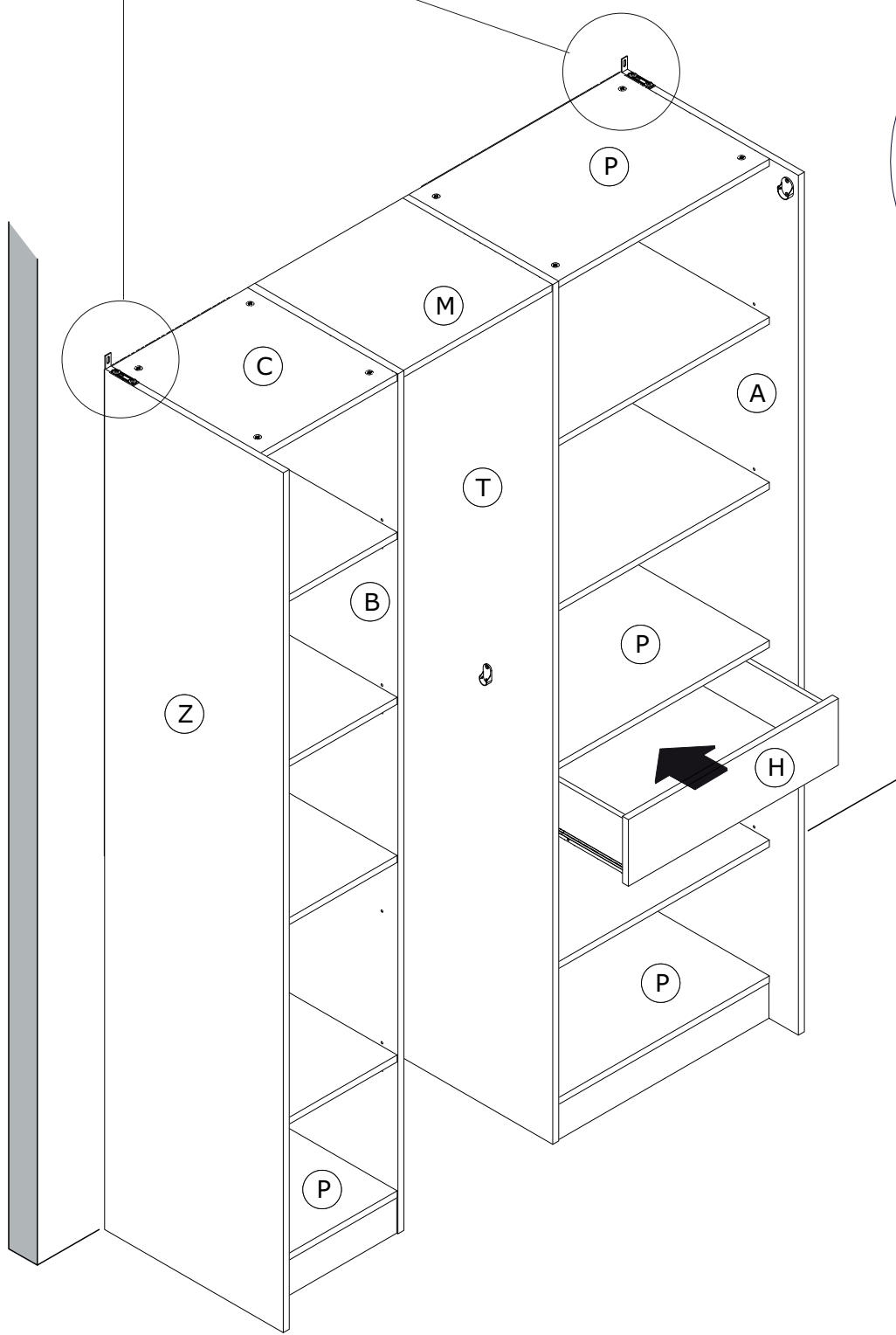
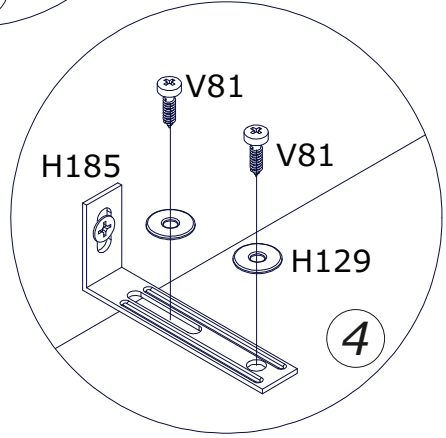
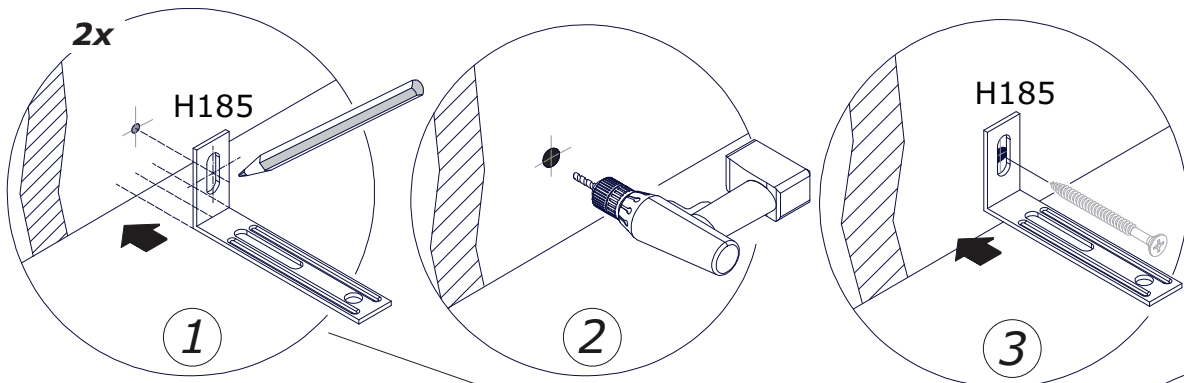
A1

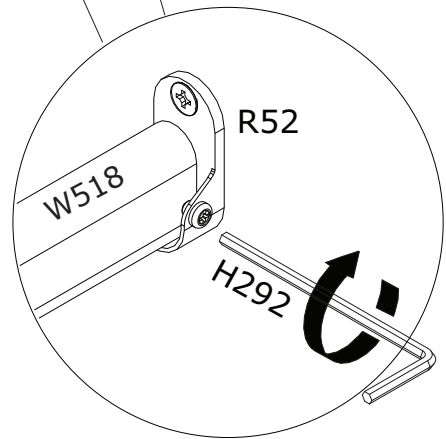
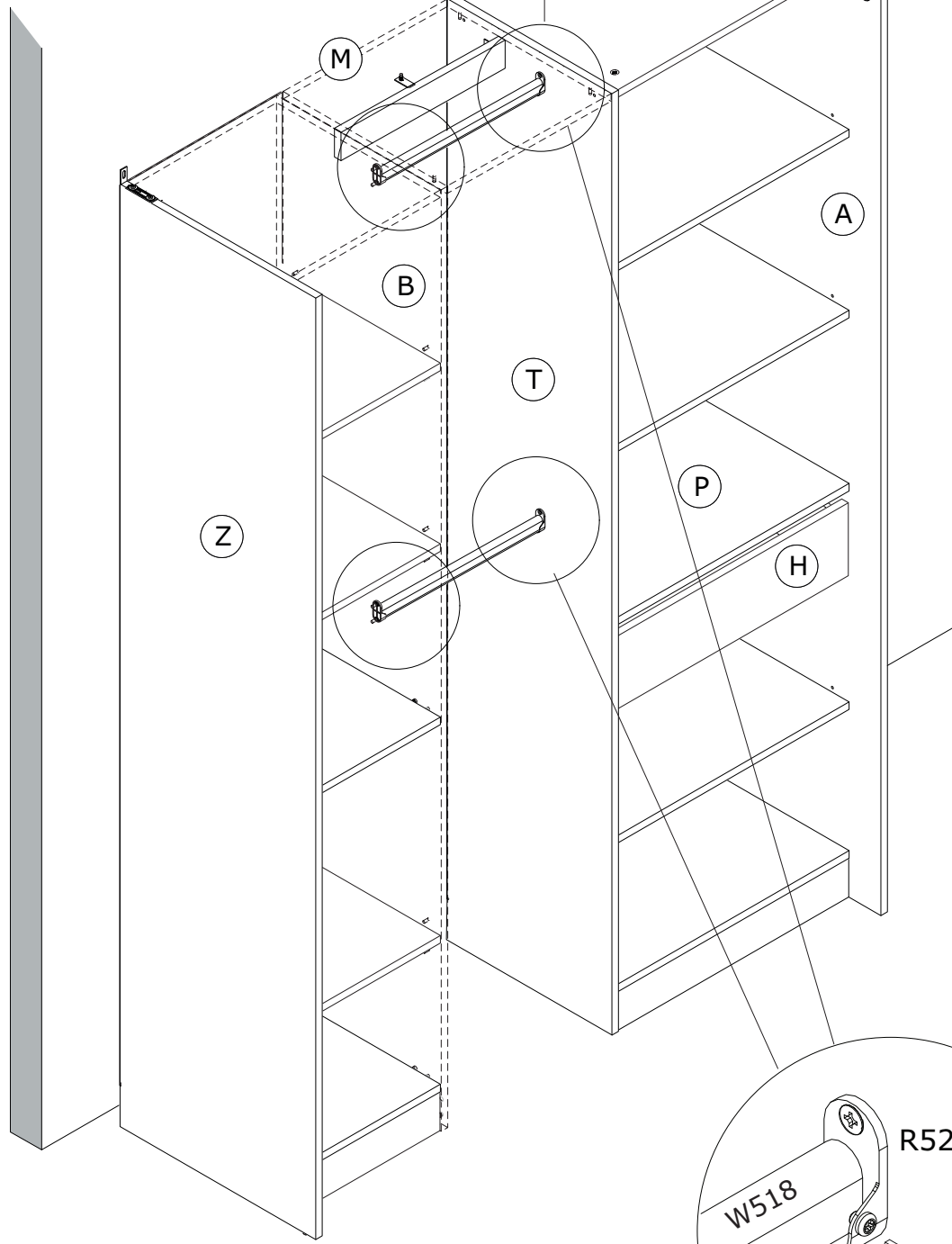
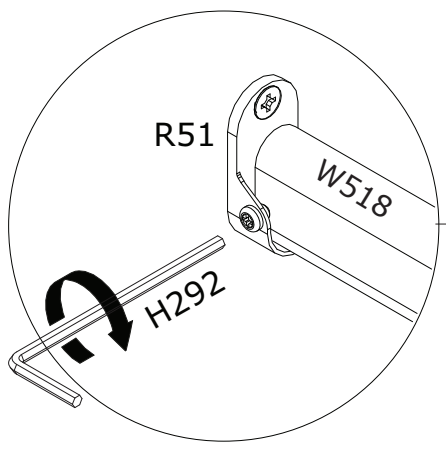


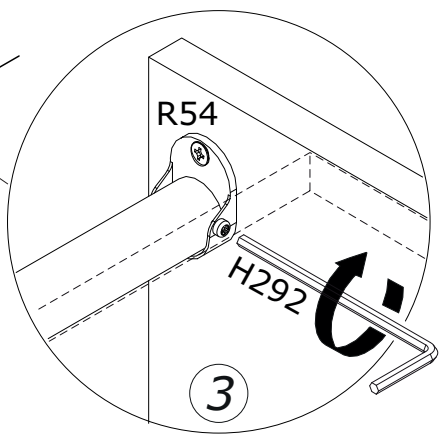
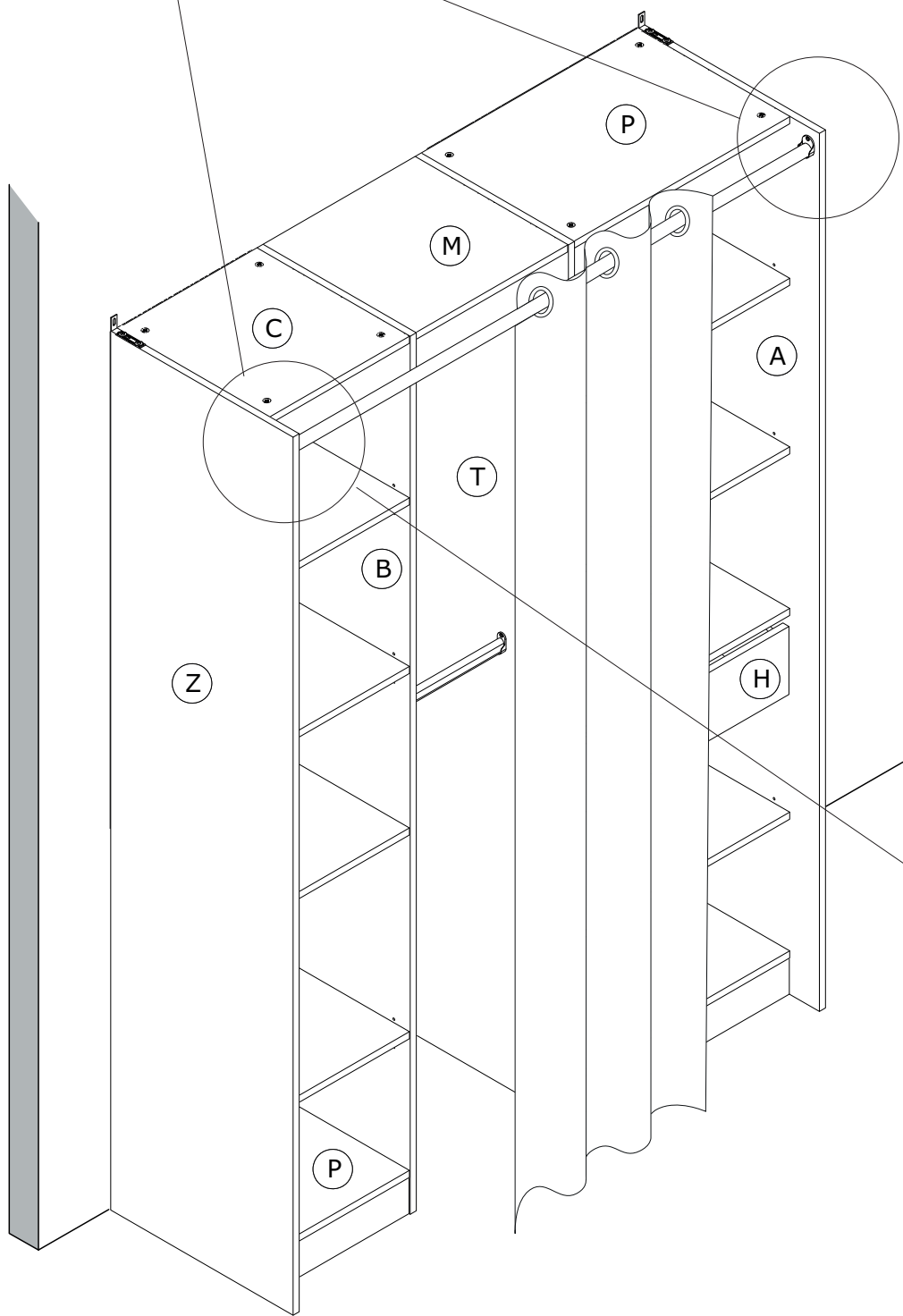
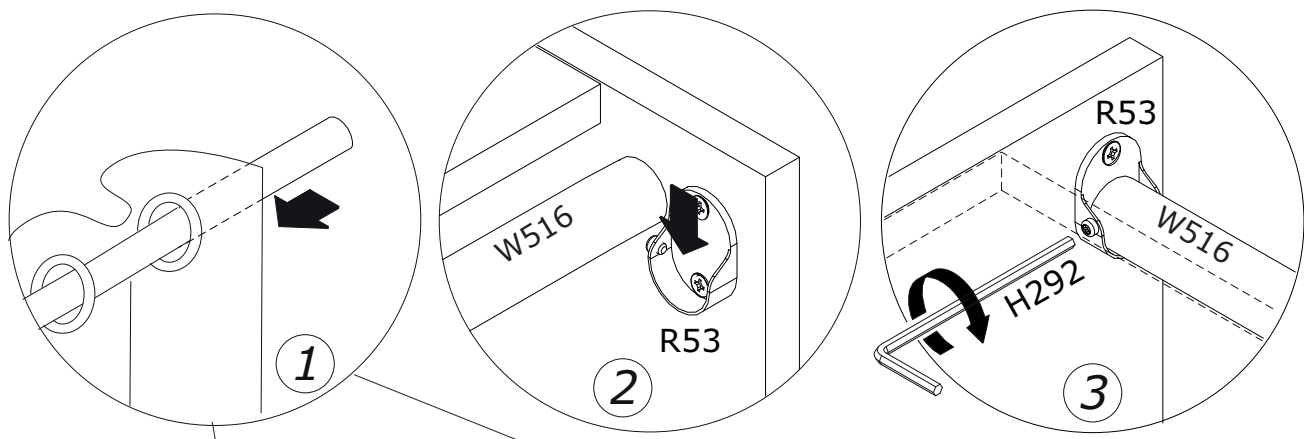


MEUBLE A FIXER AU MUR: ADAPTER VOTRE QUINCAILLERIE EN FONCTION DU SUPPORT.

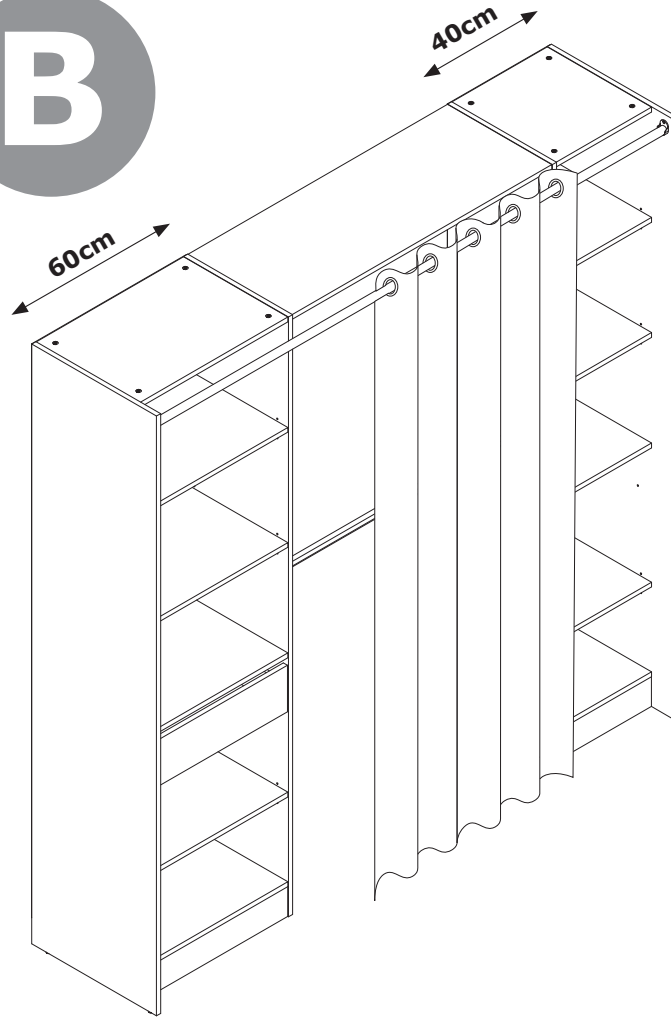
A1



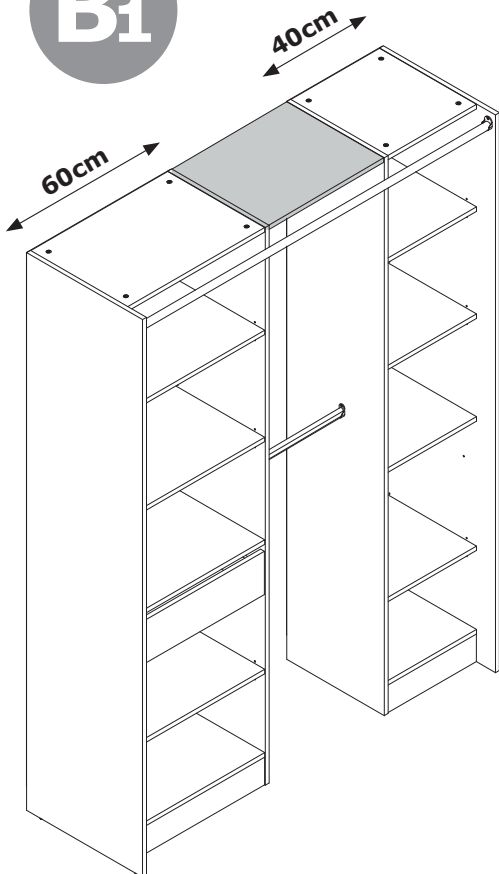




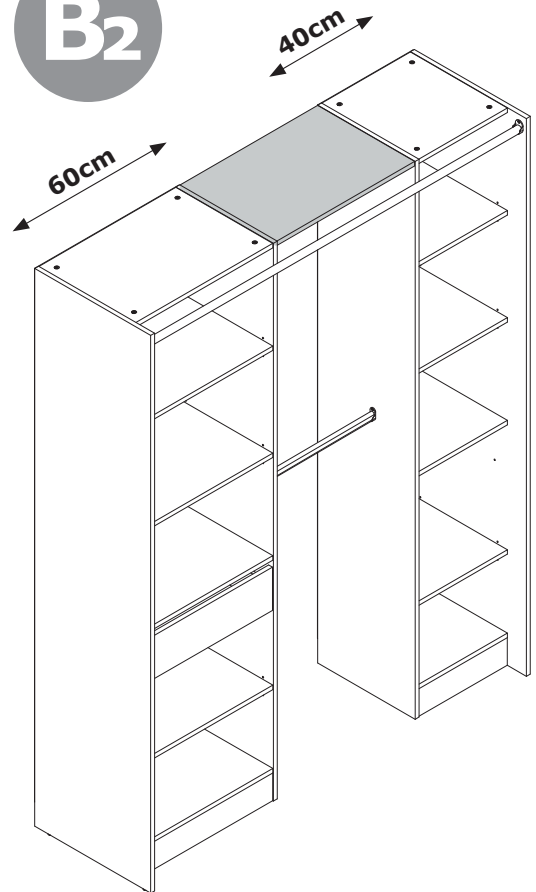
B

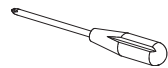


B₁



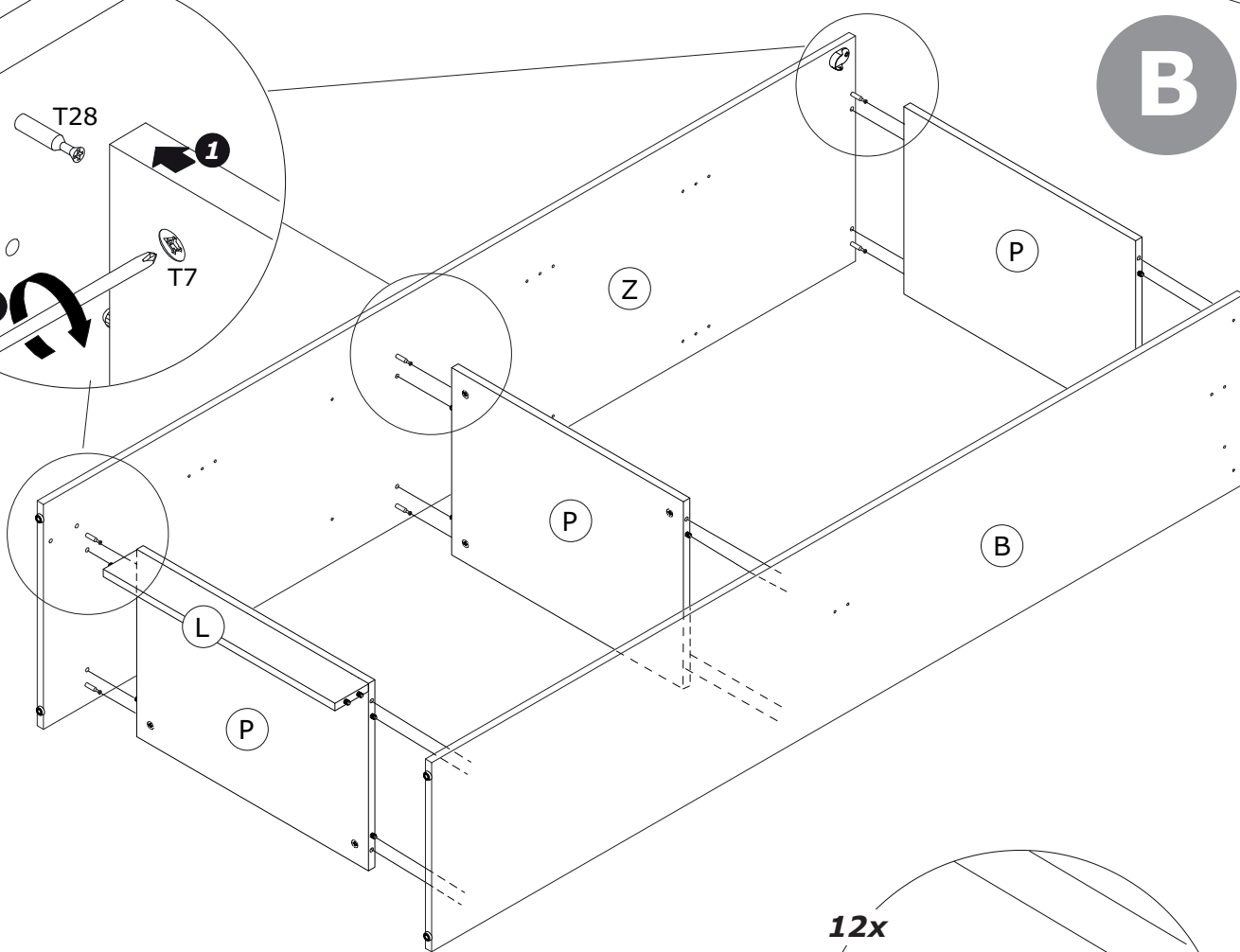
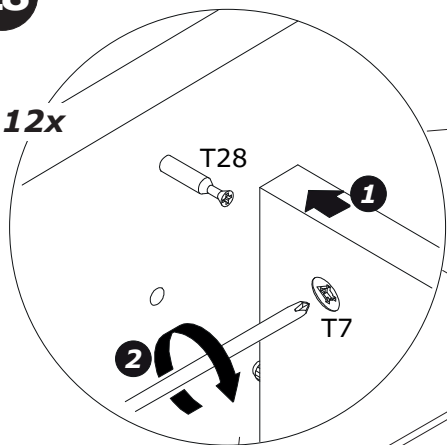
B₂



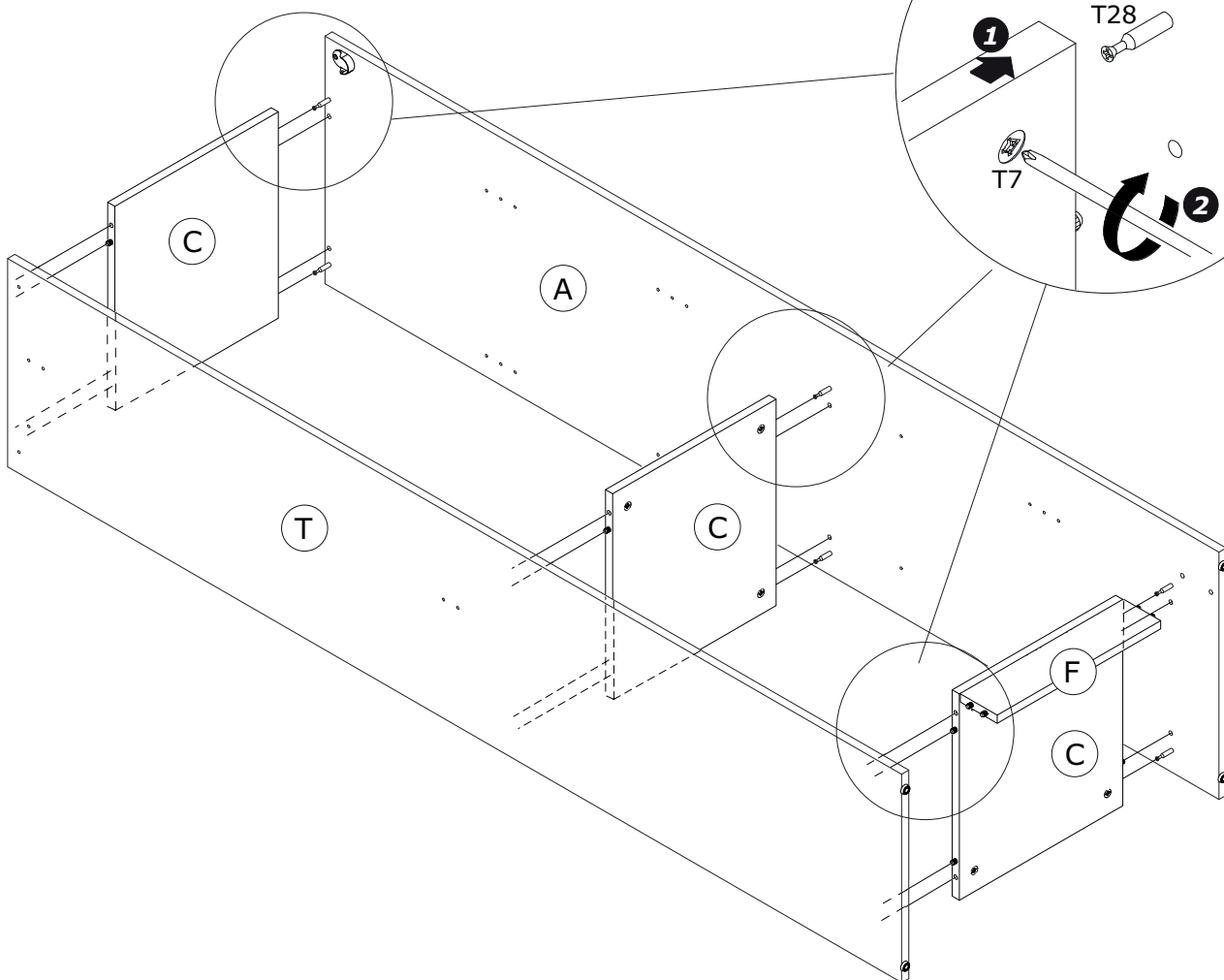
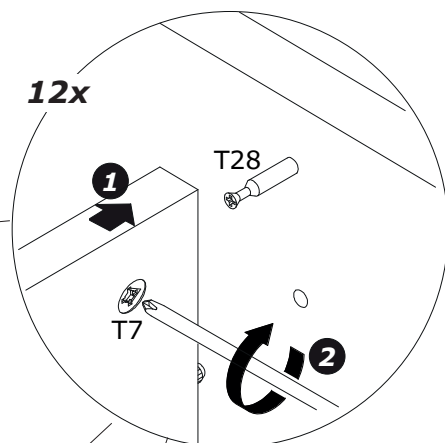


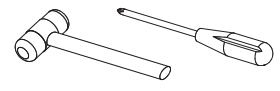
B

12x

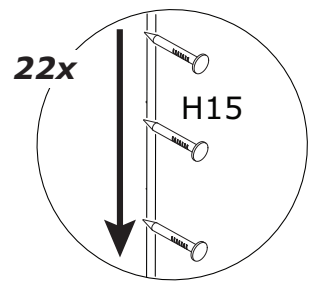
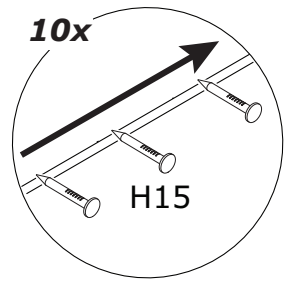
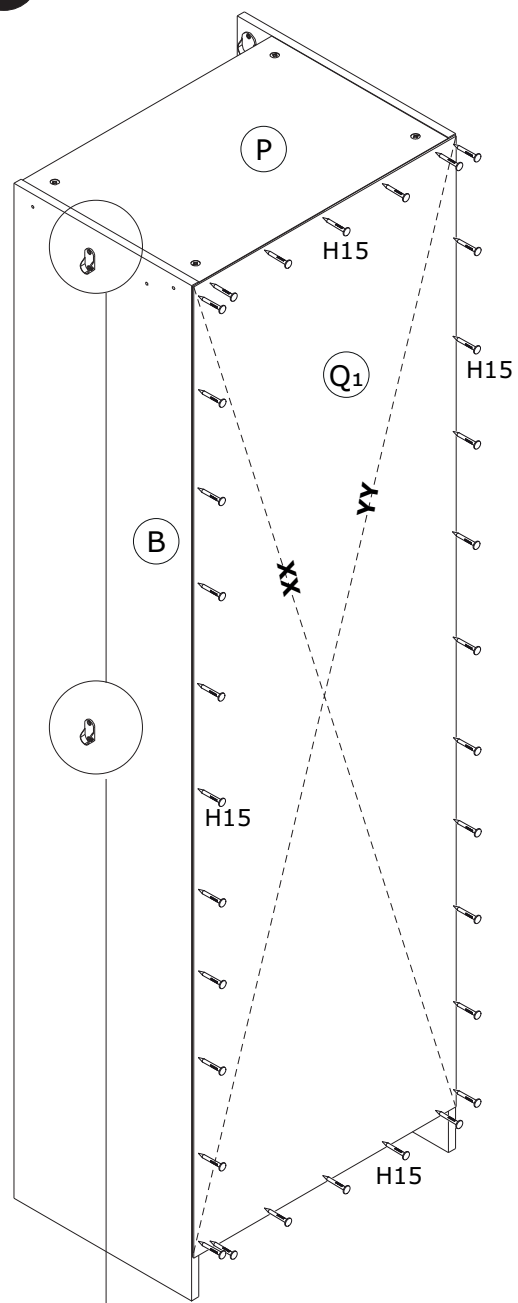
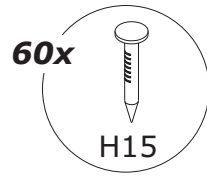
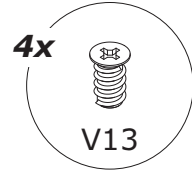


12x

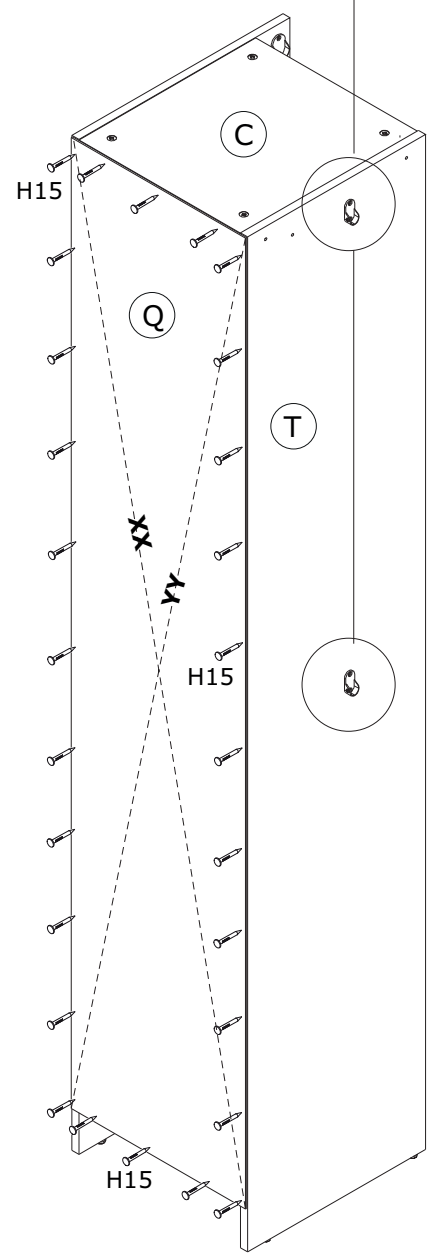
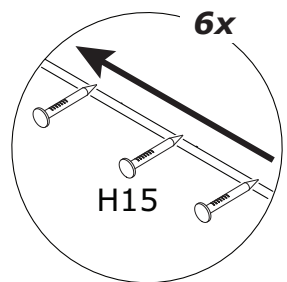
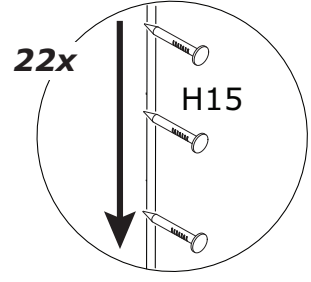
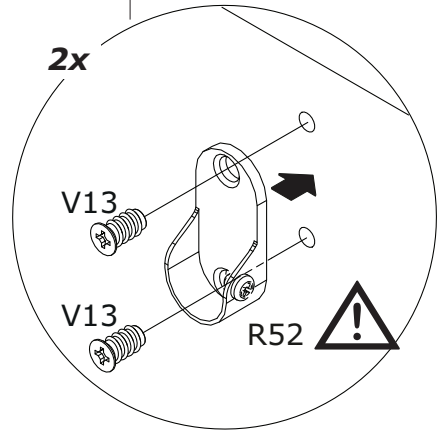
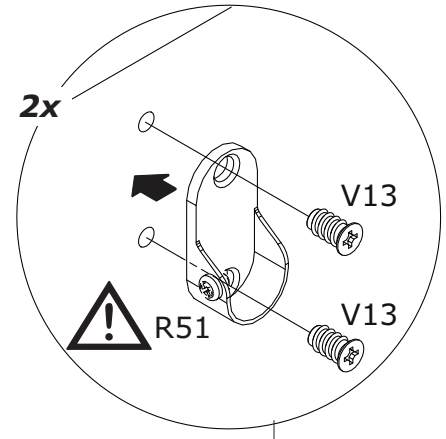


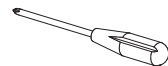


B

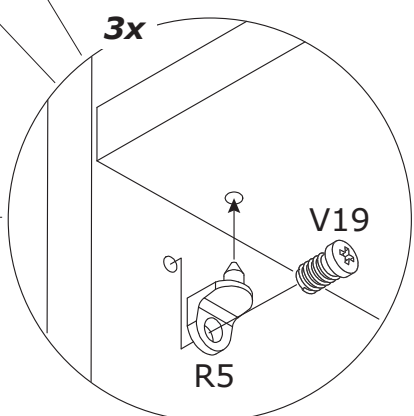
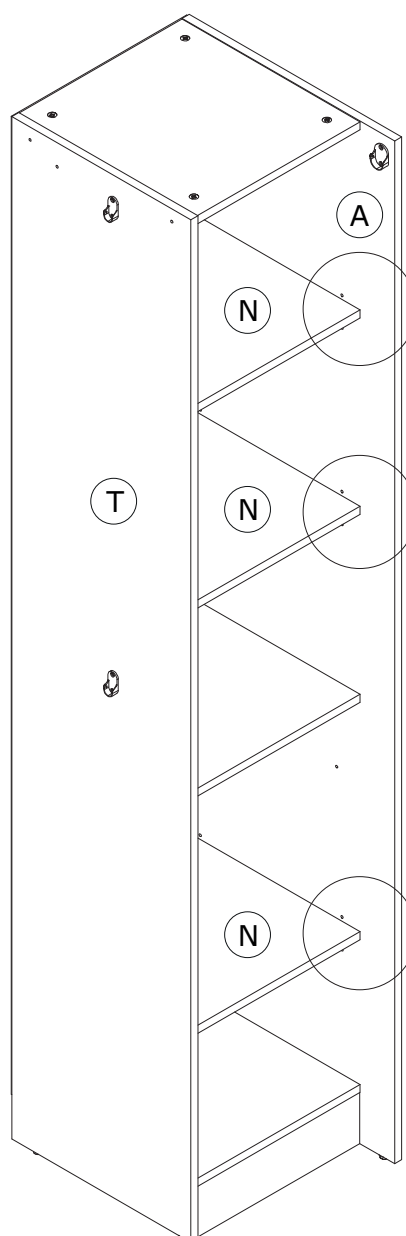
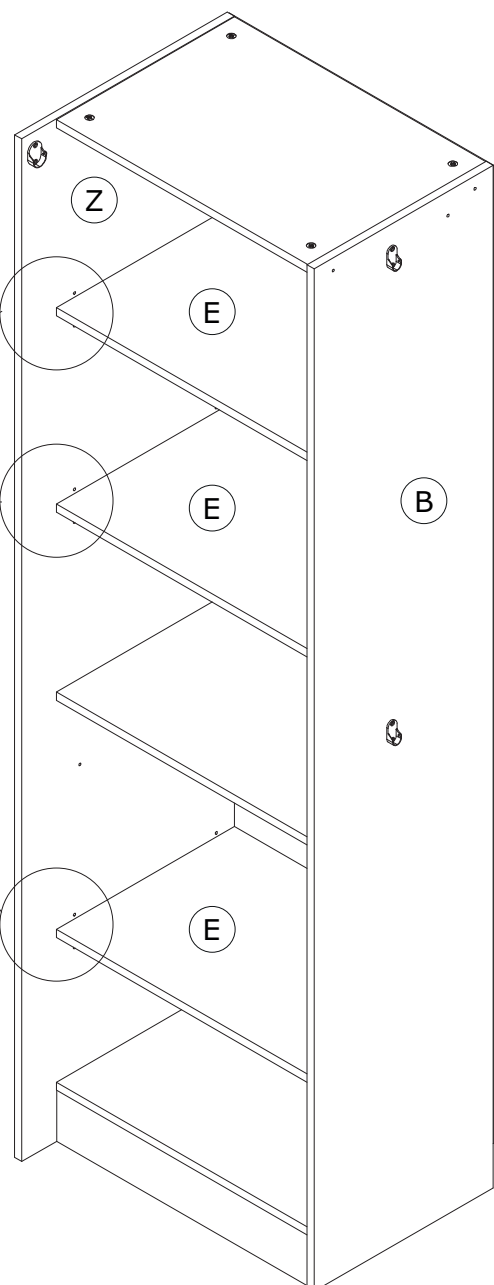
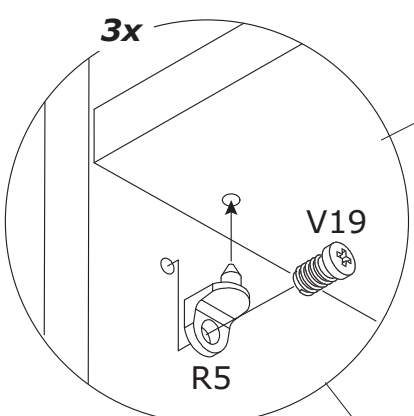
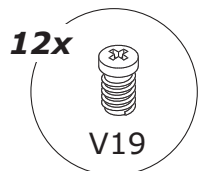


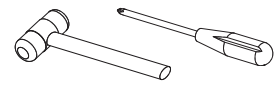
XX = YY = 90°



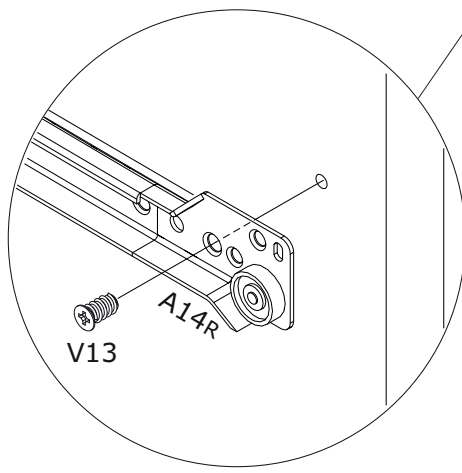
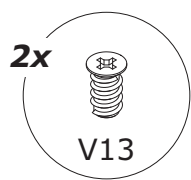
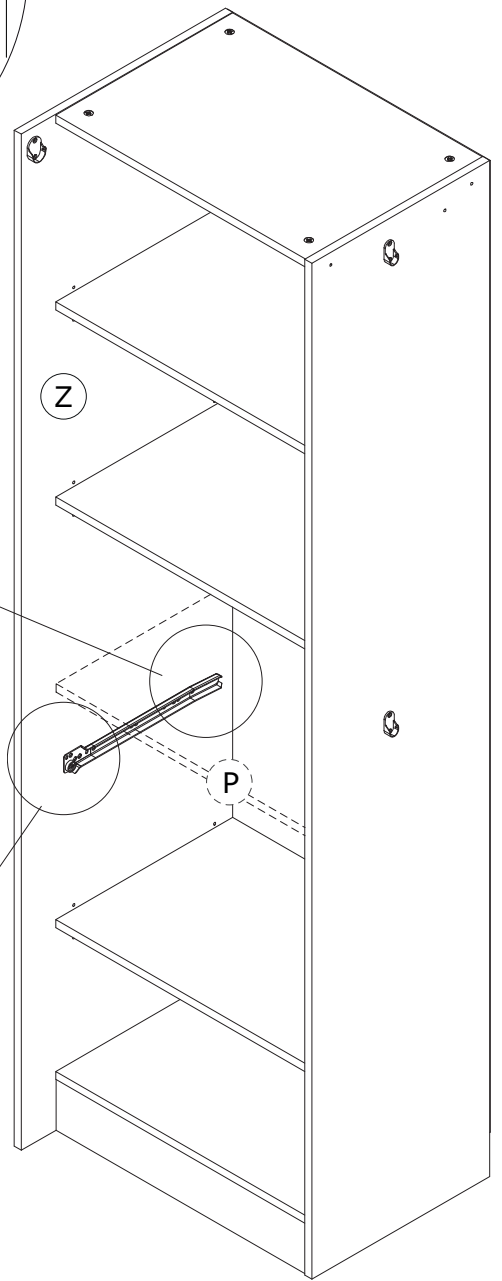
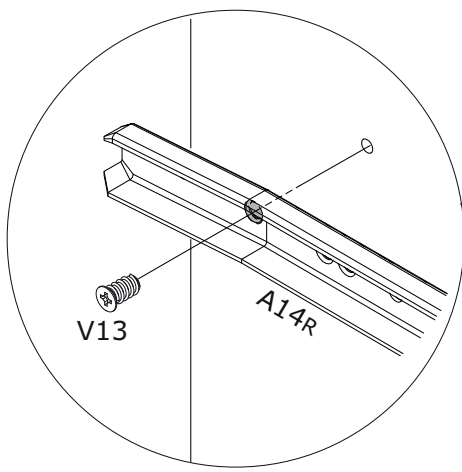
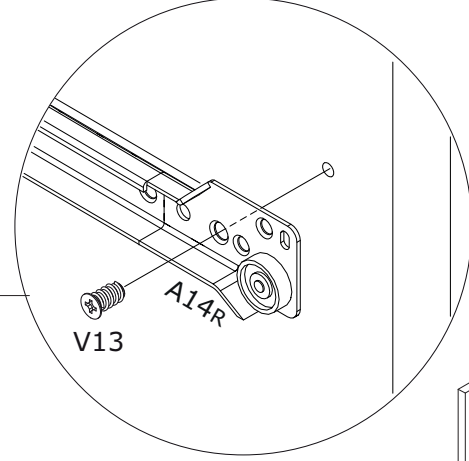
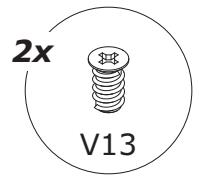
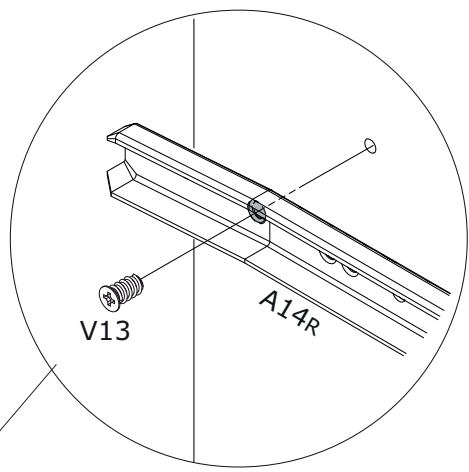
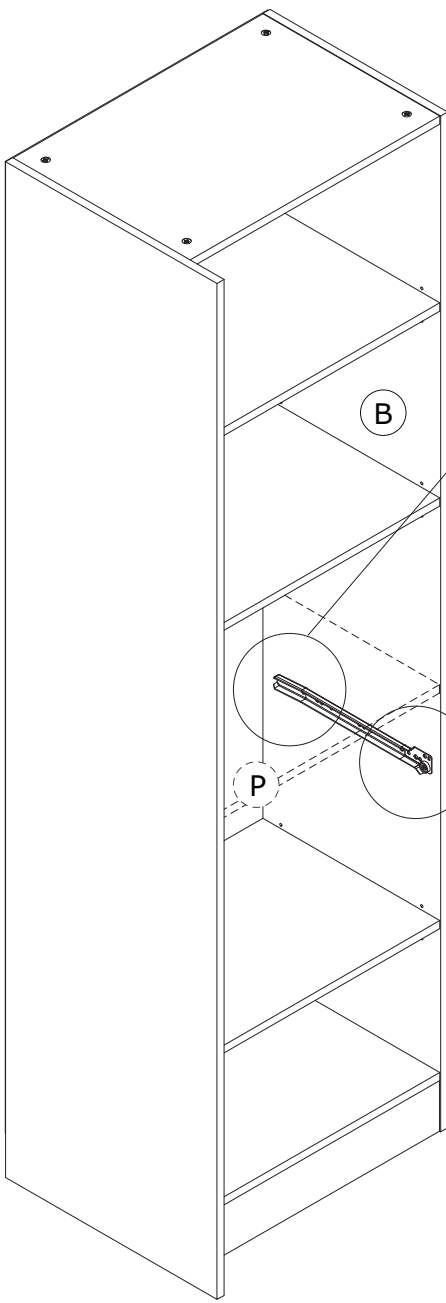


B

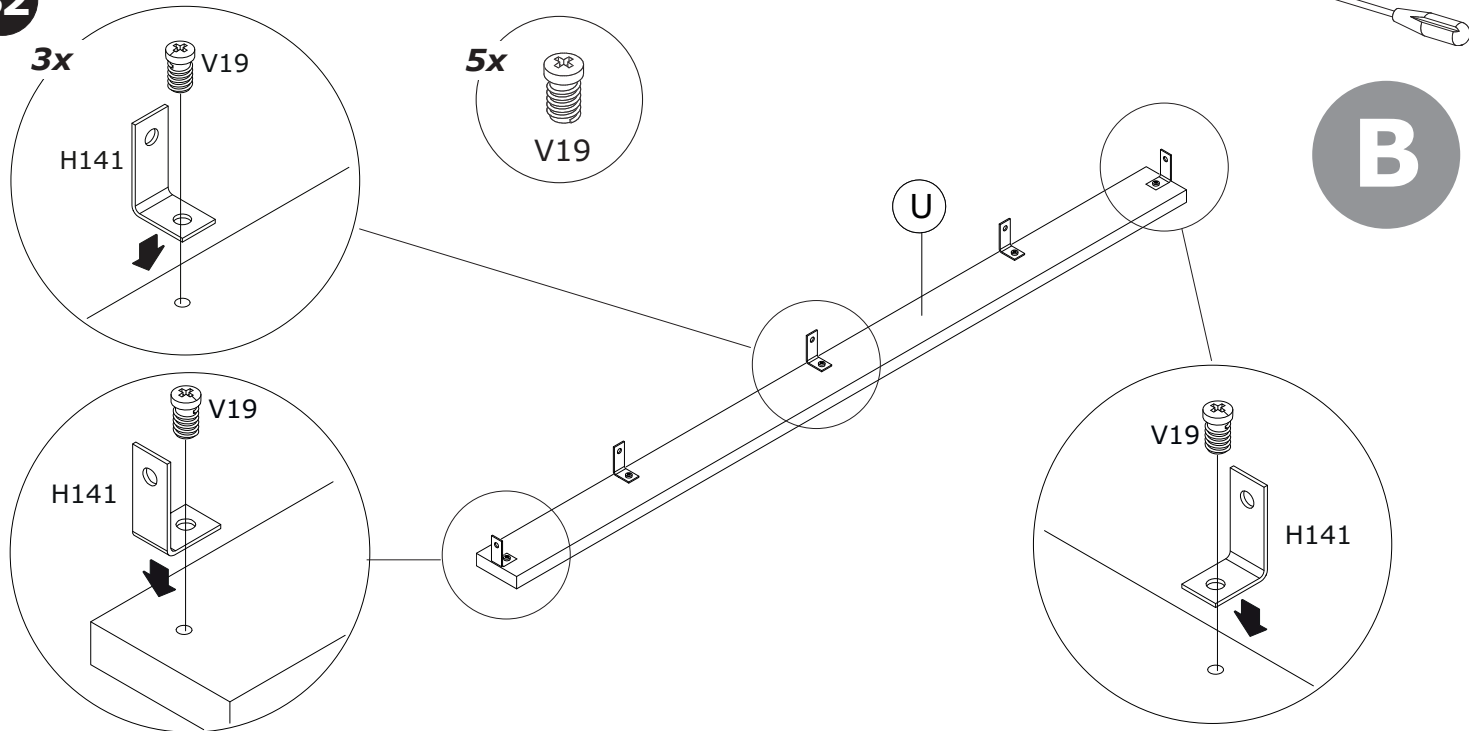




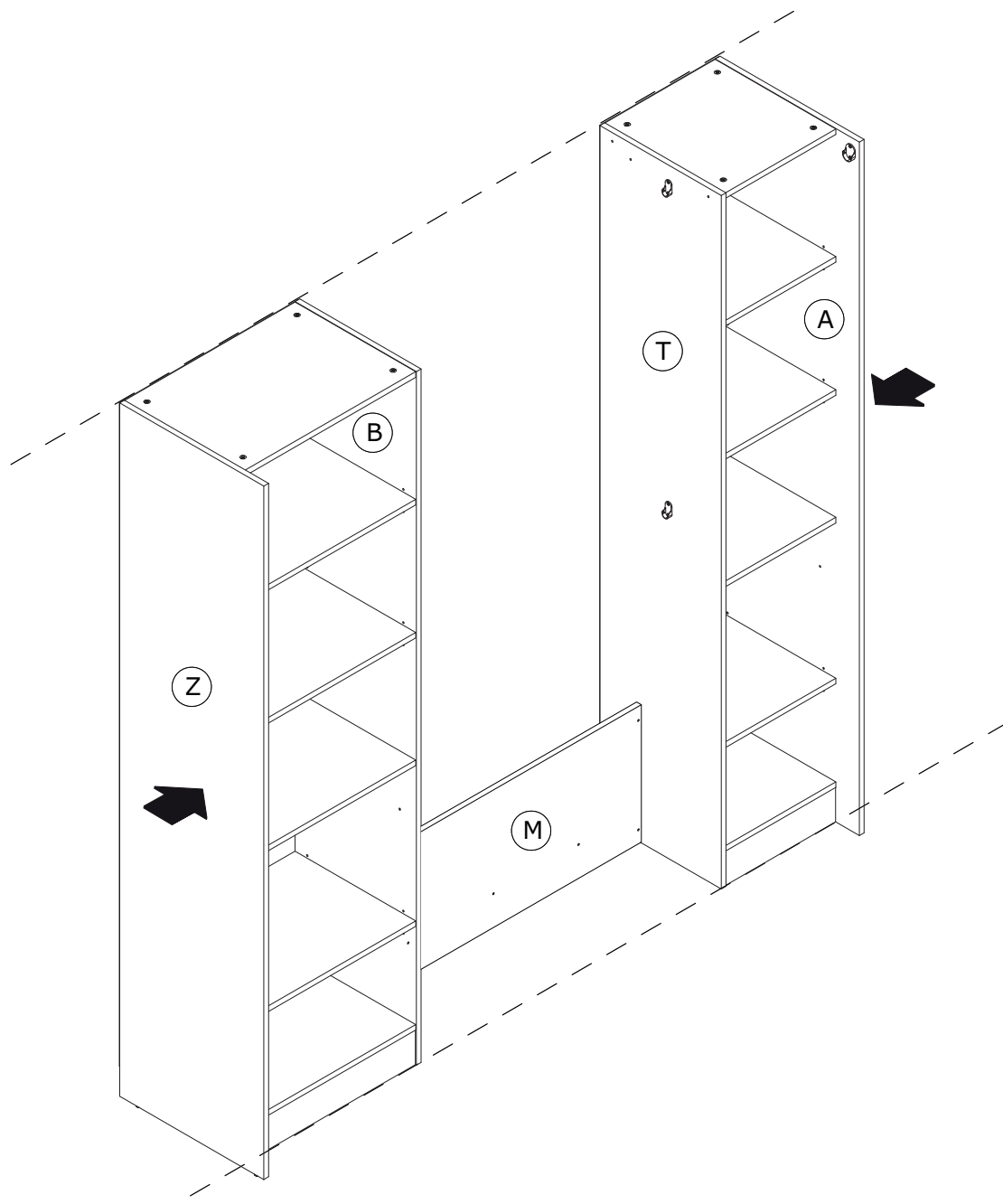
B



32

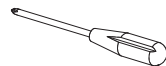


13

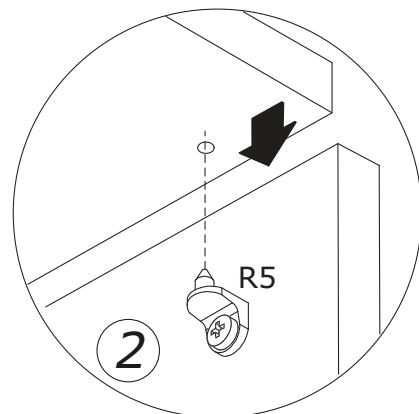
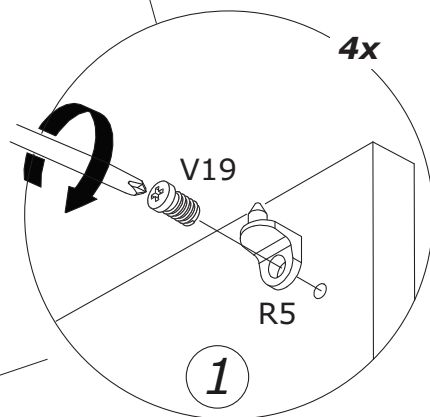
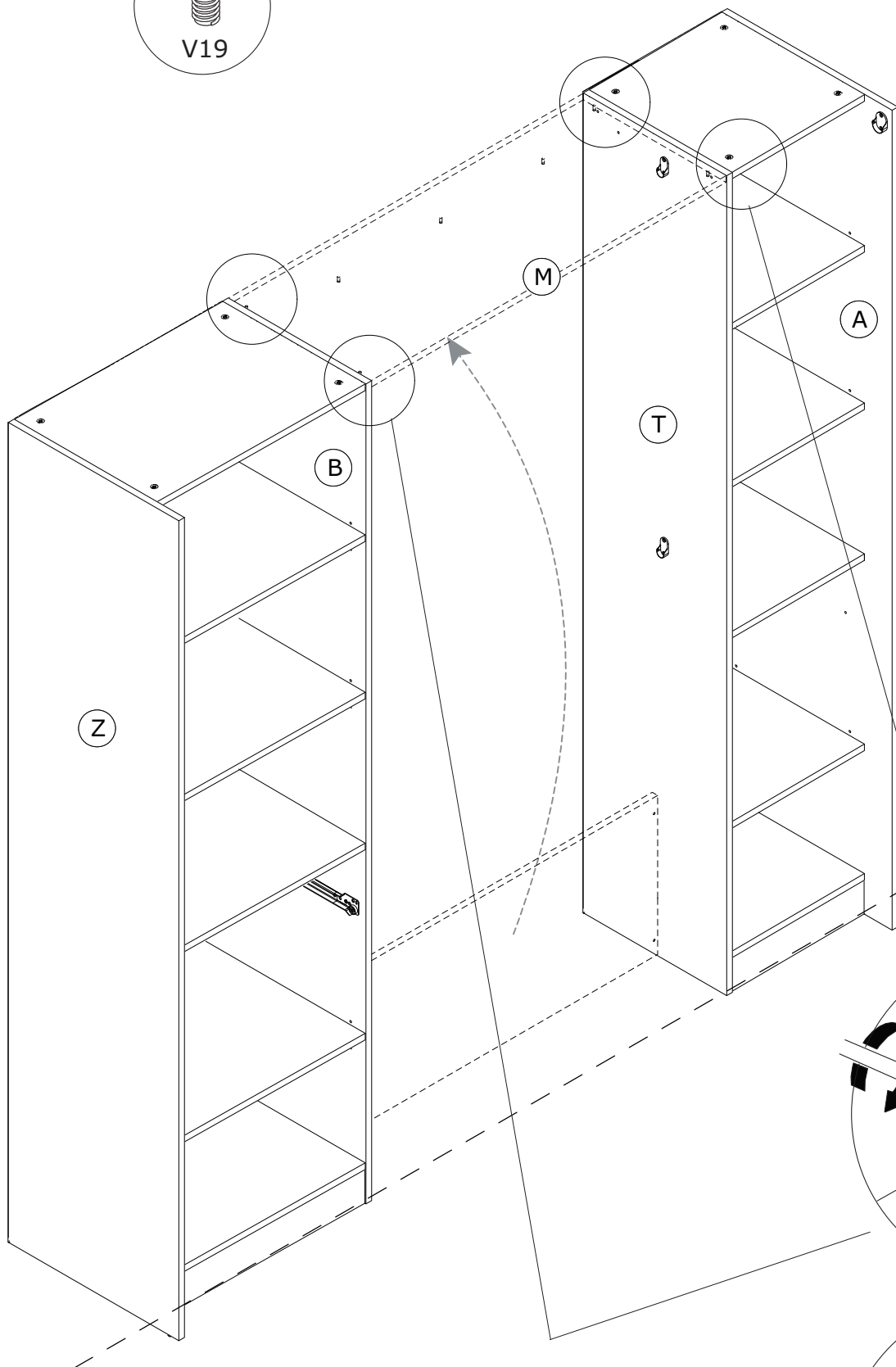


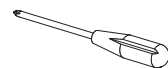
33

4x



B

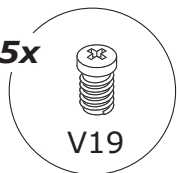




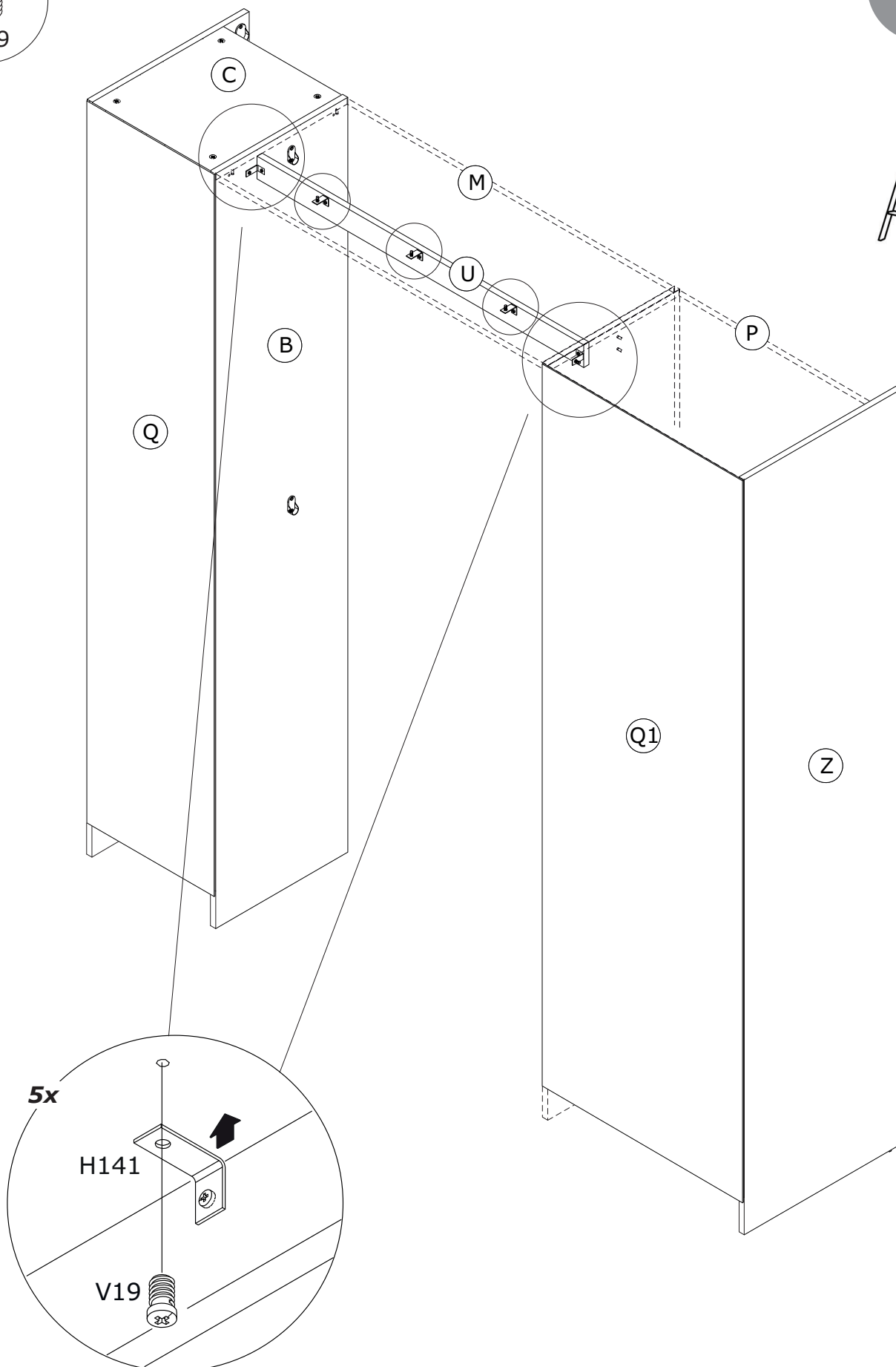
B



5x



V19

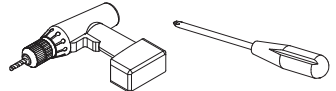
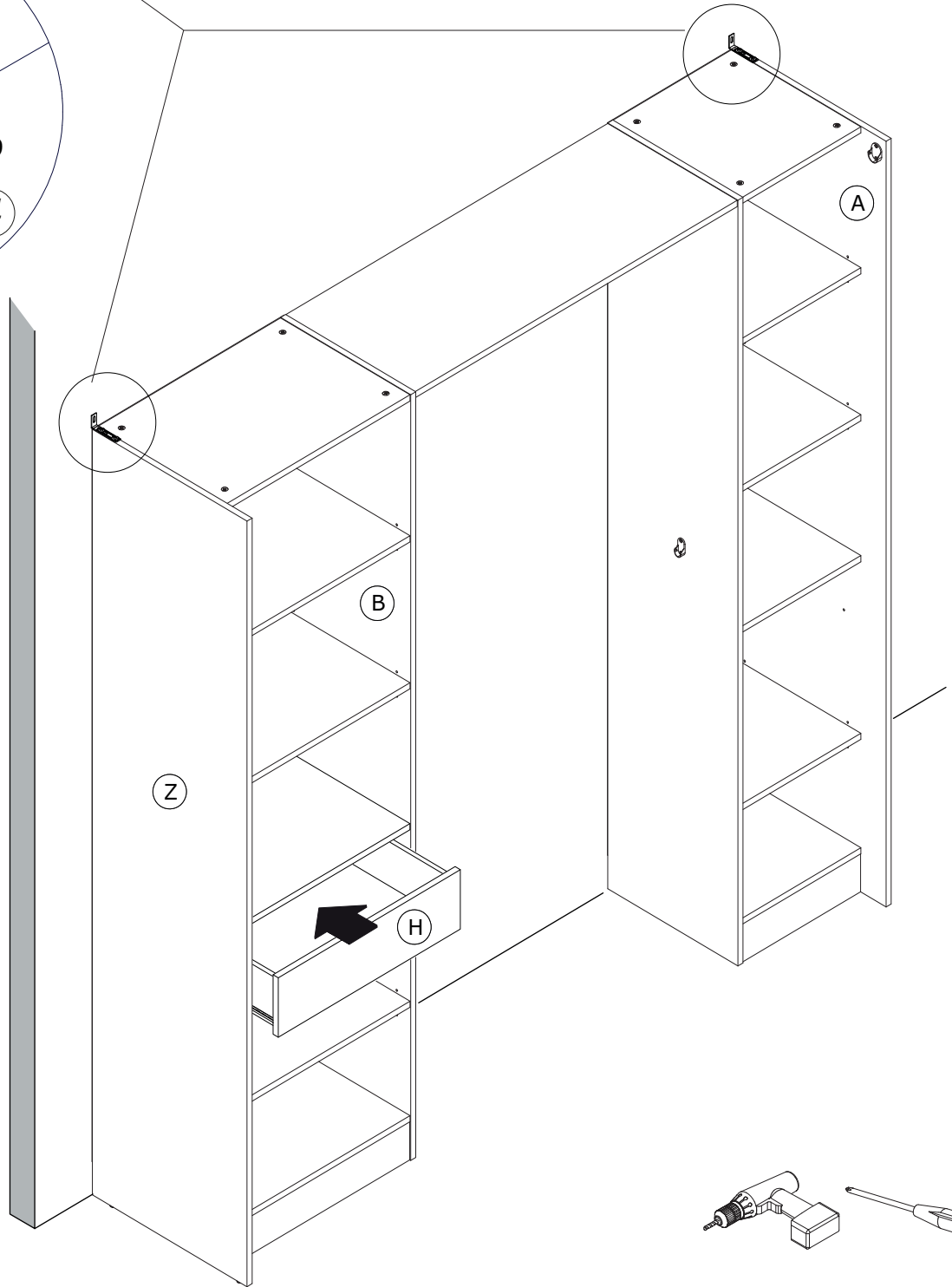
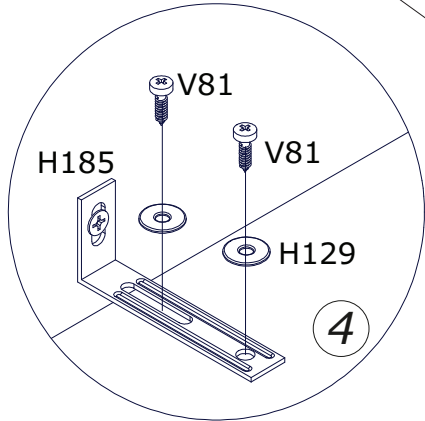
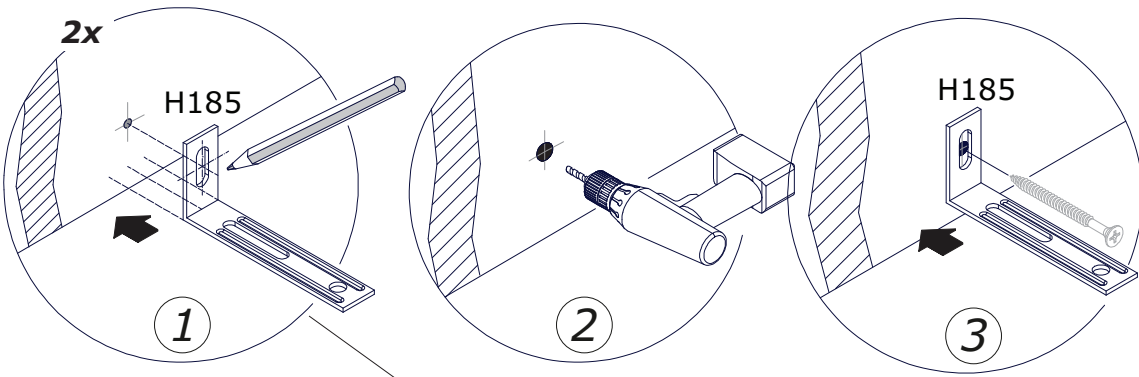


5x

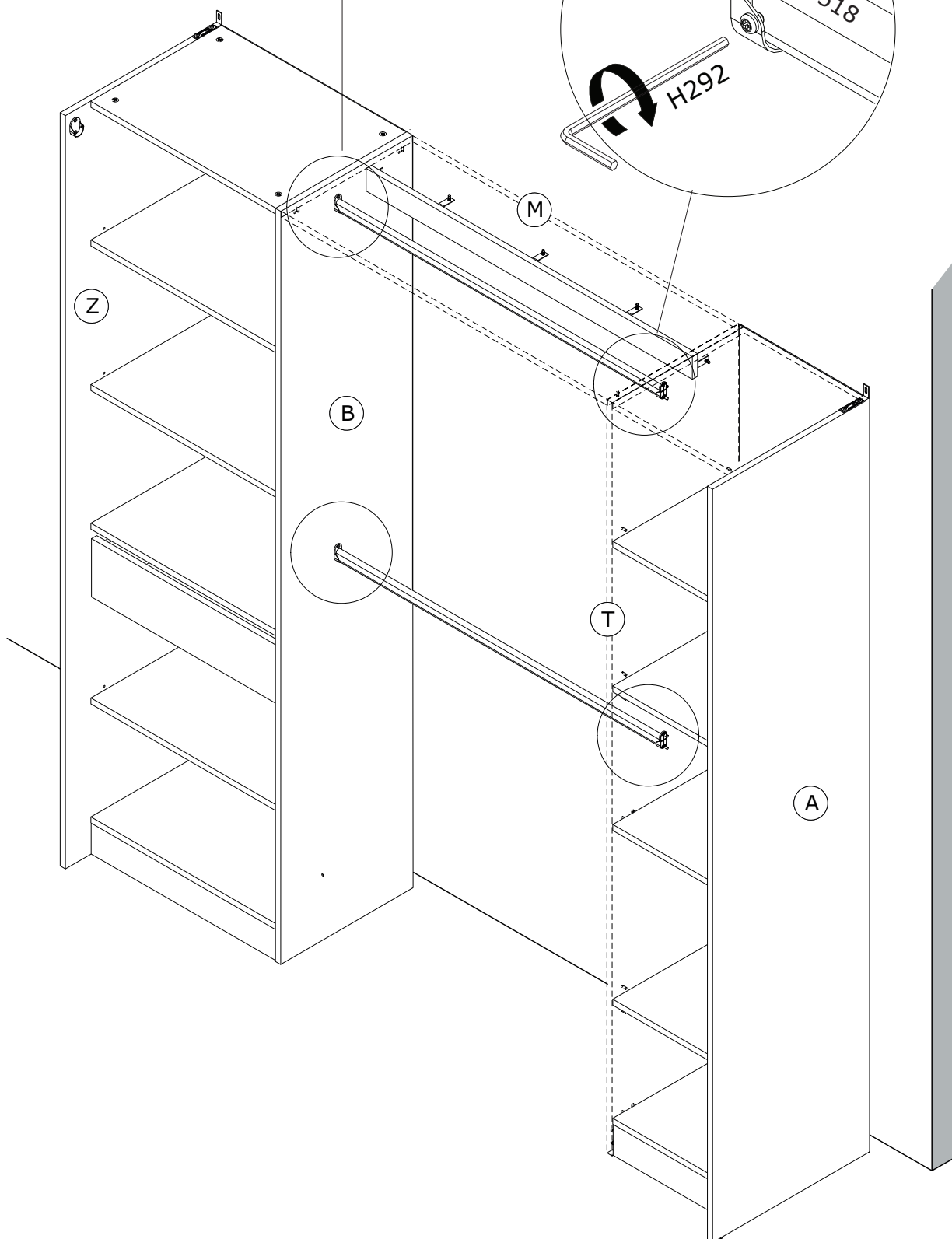
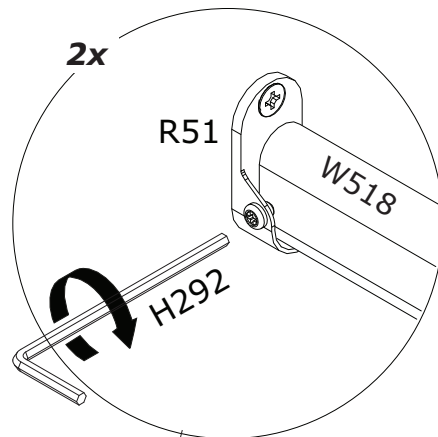
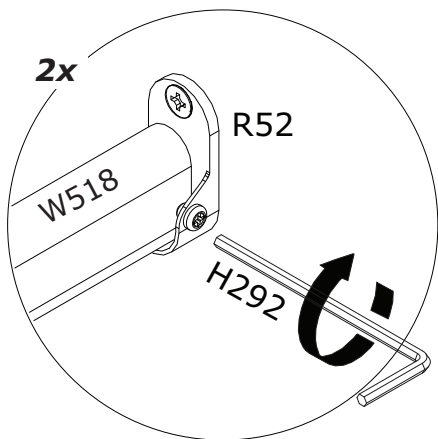
H141

V19

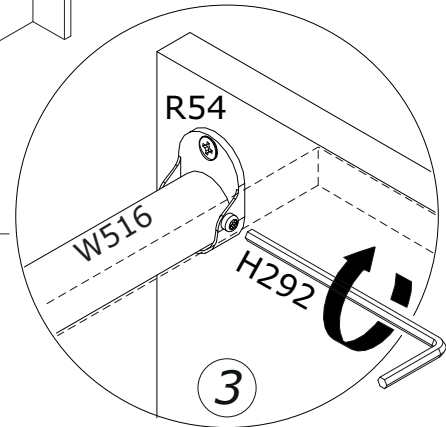
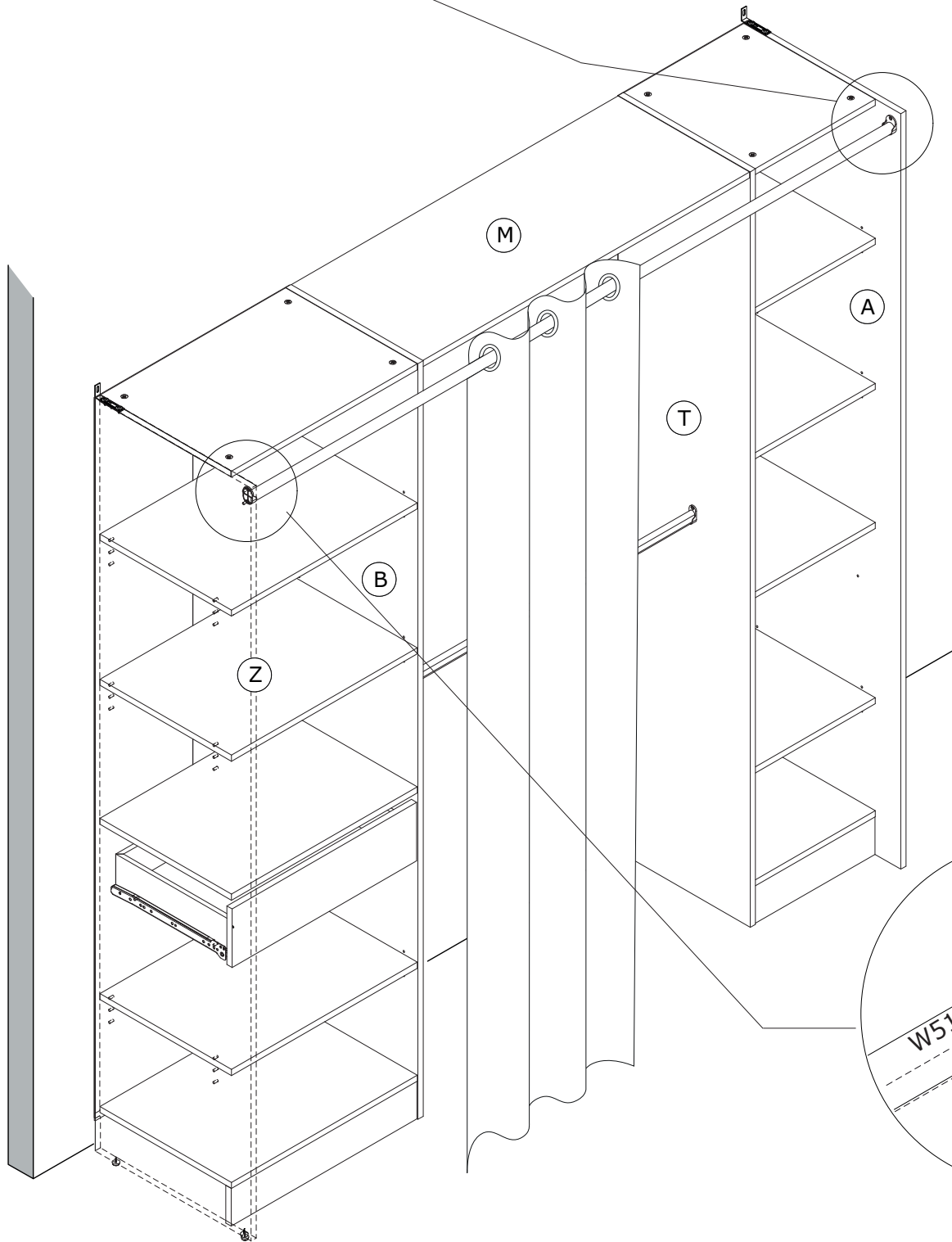
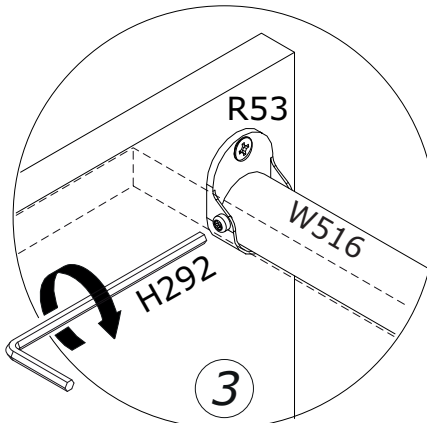
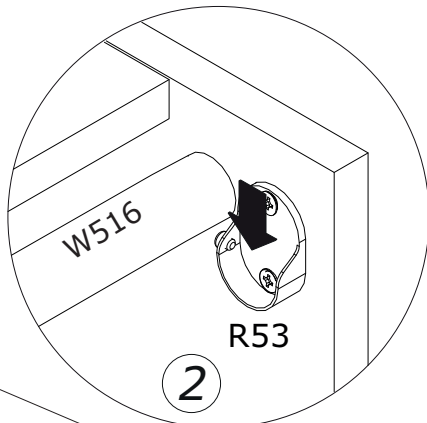
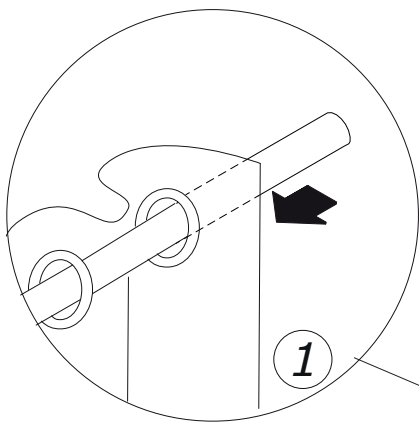
B



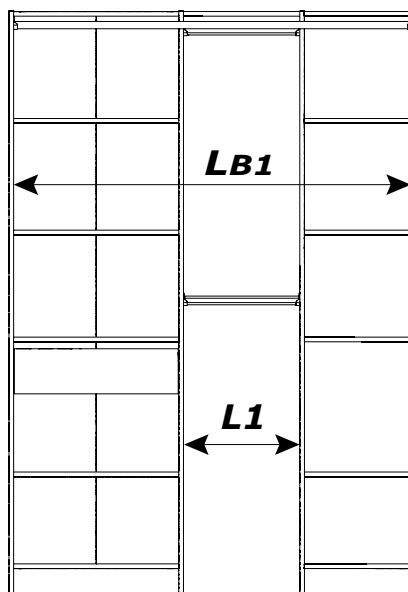
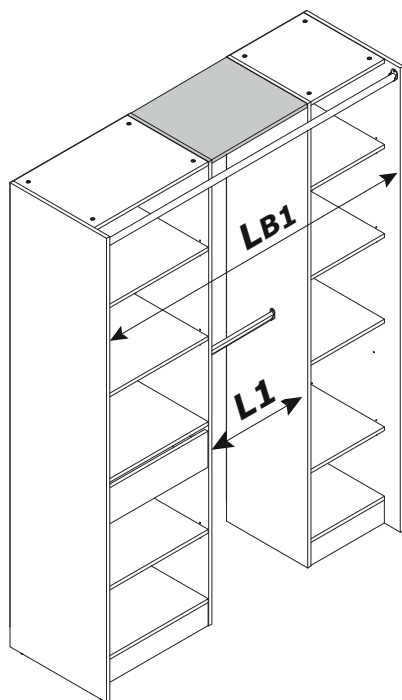
B



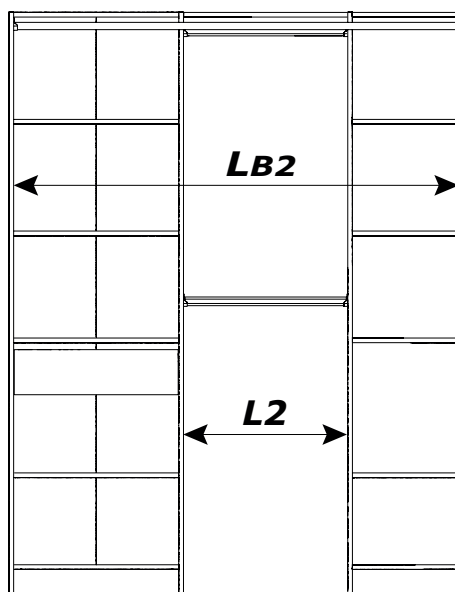
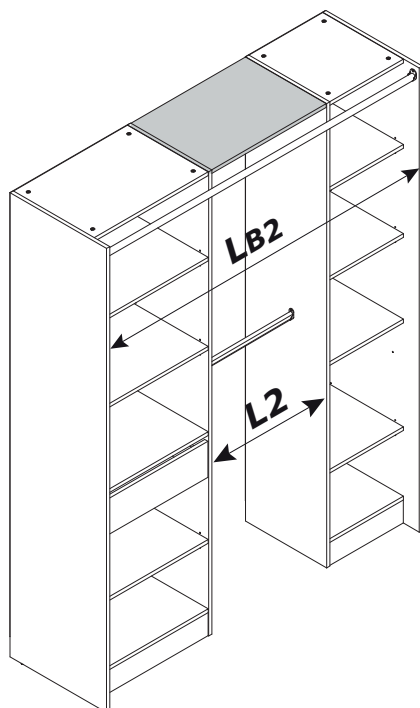
B



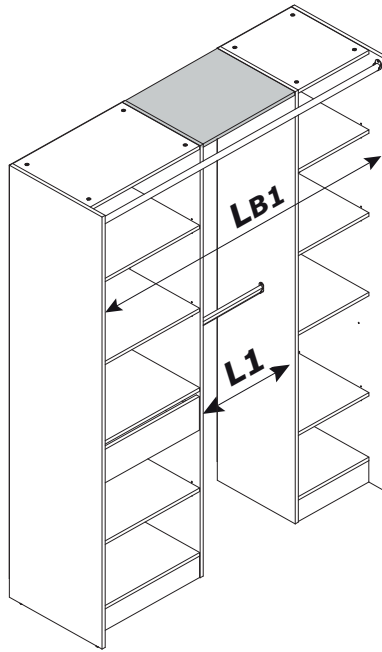
B₁



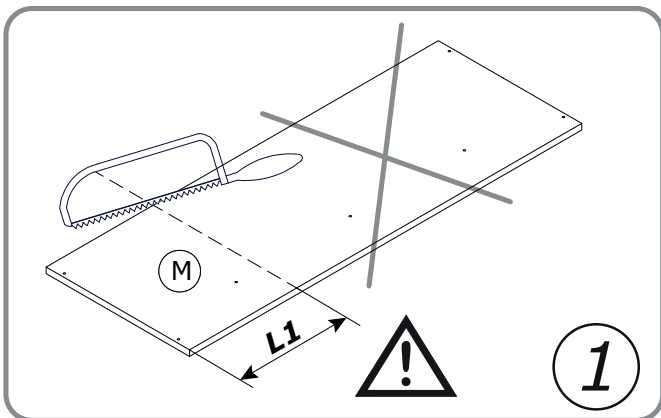
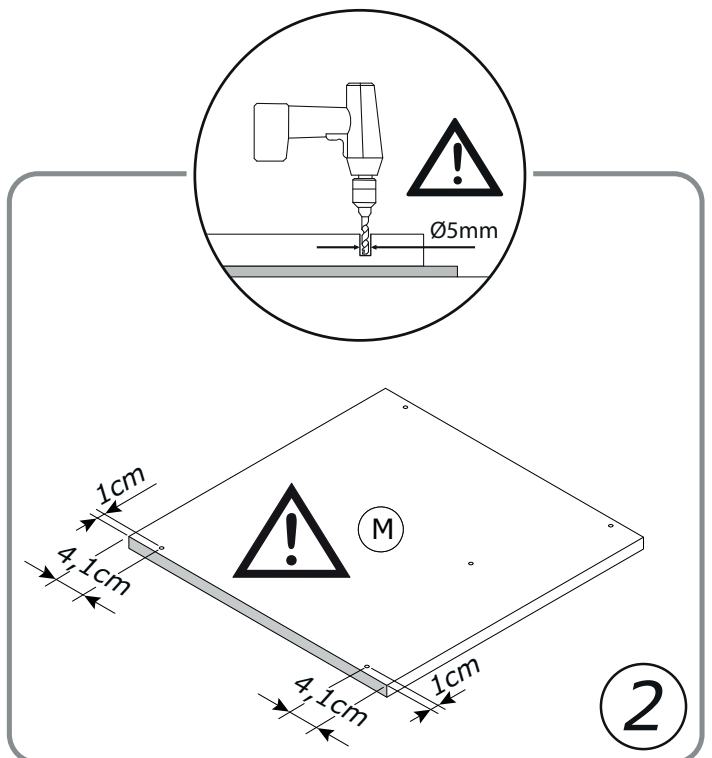
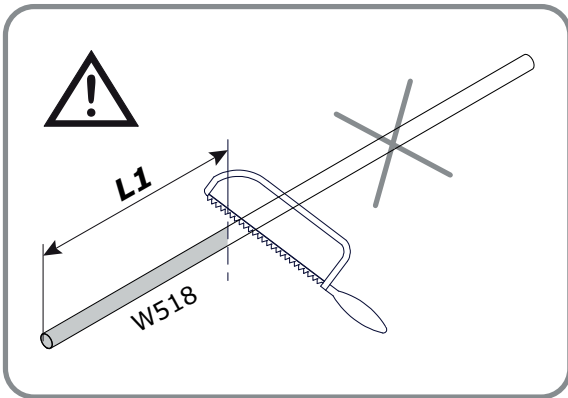
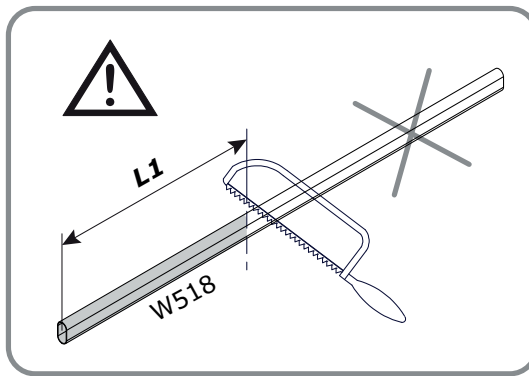
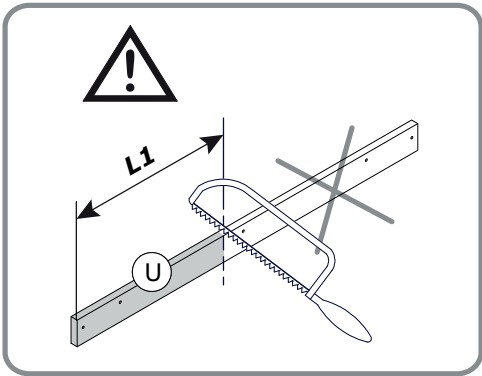
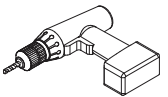
B₂



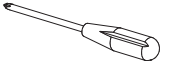
B₁



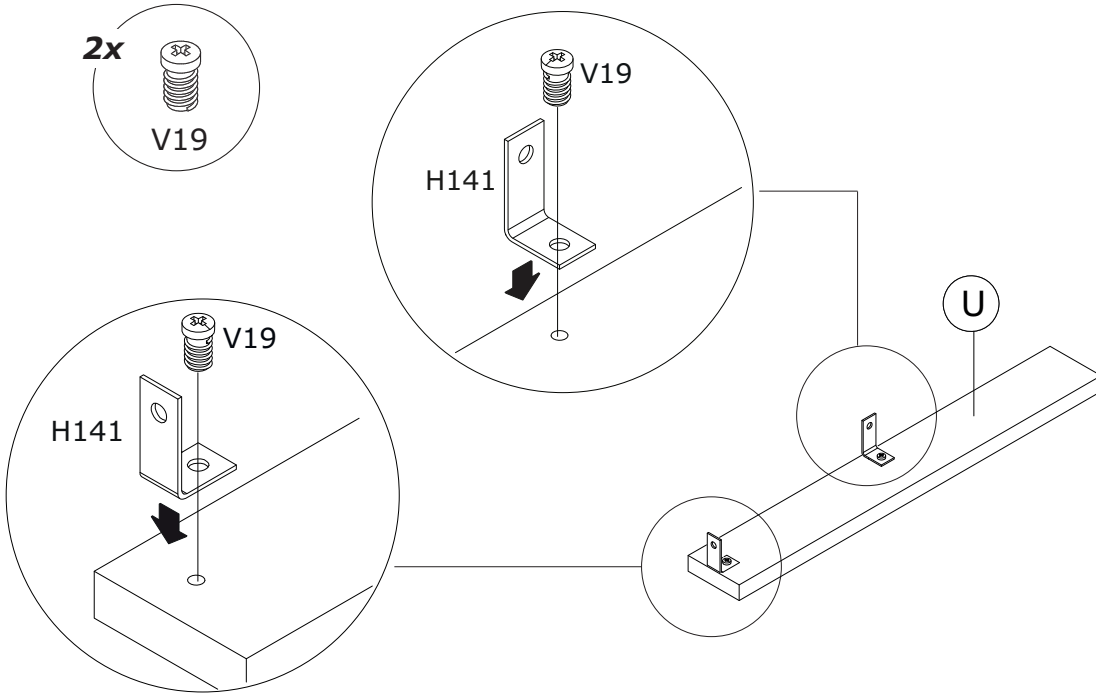
39



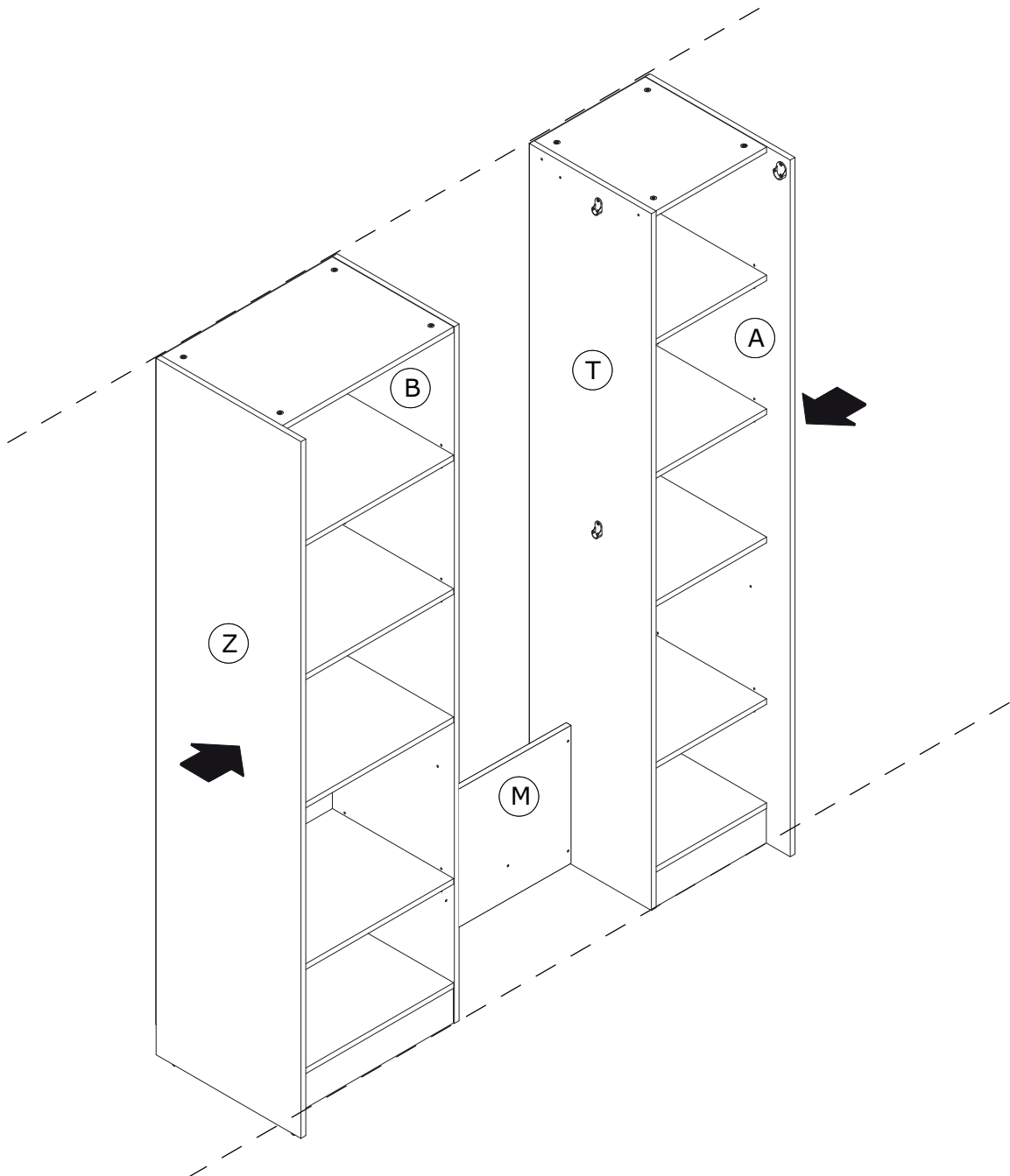
40

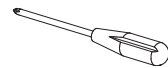


B1

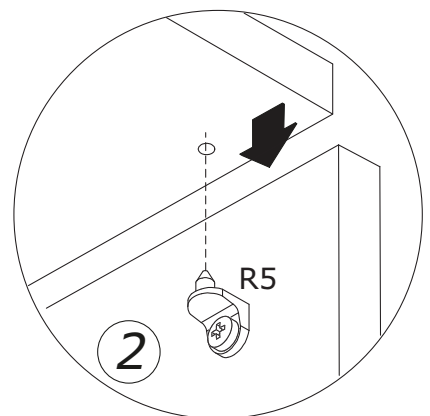
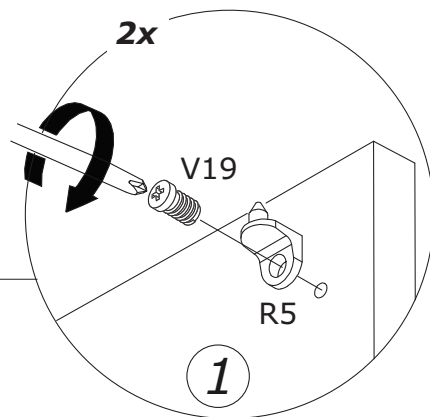
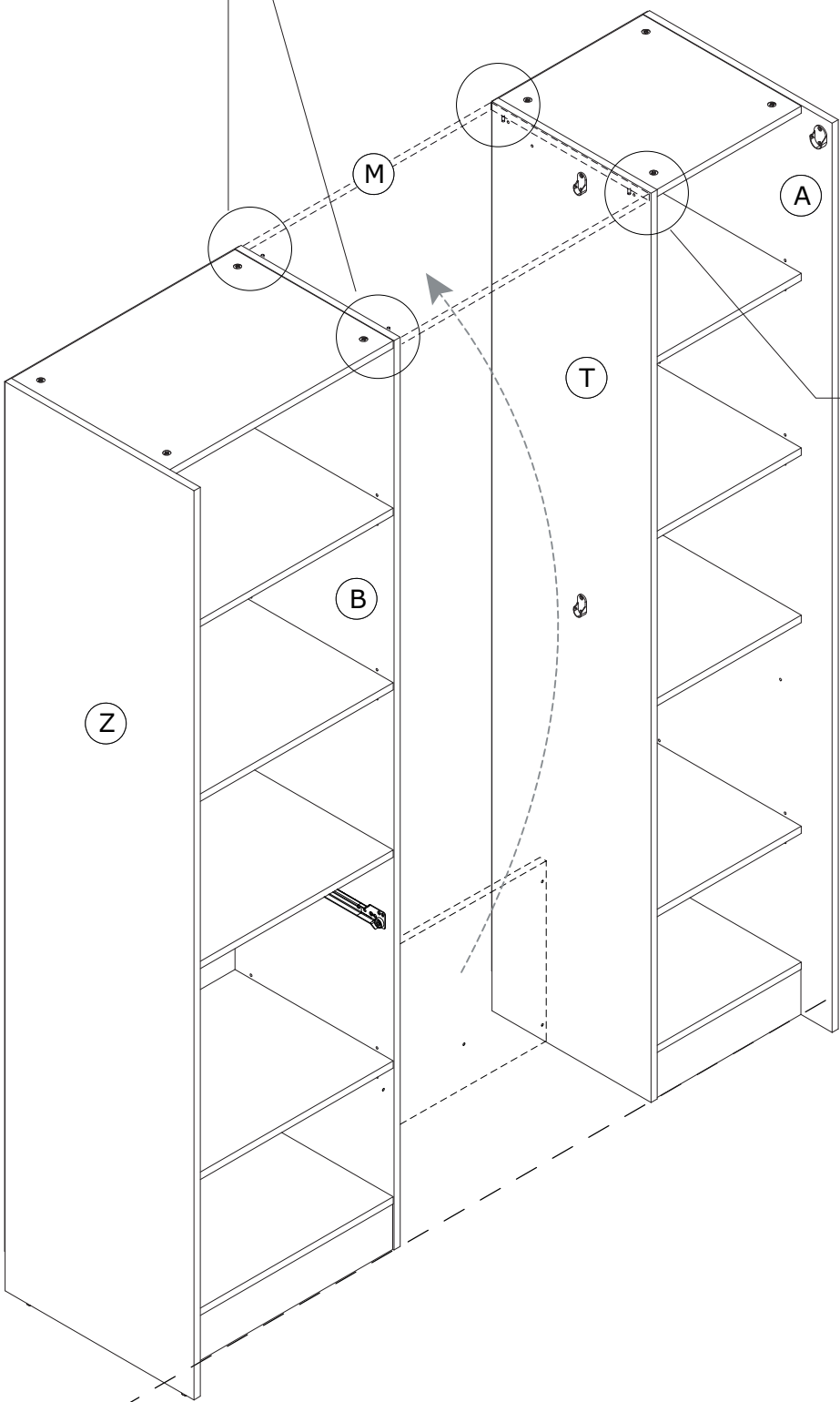
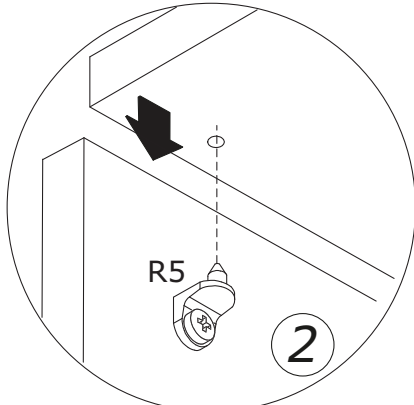
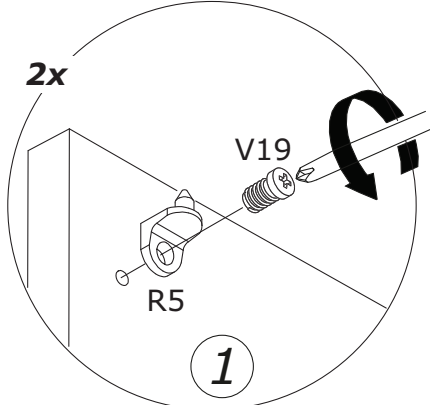


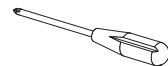
41



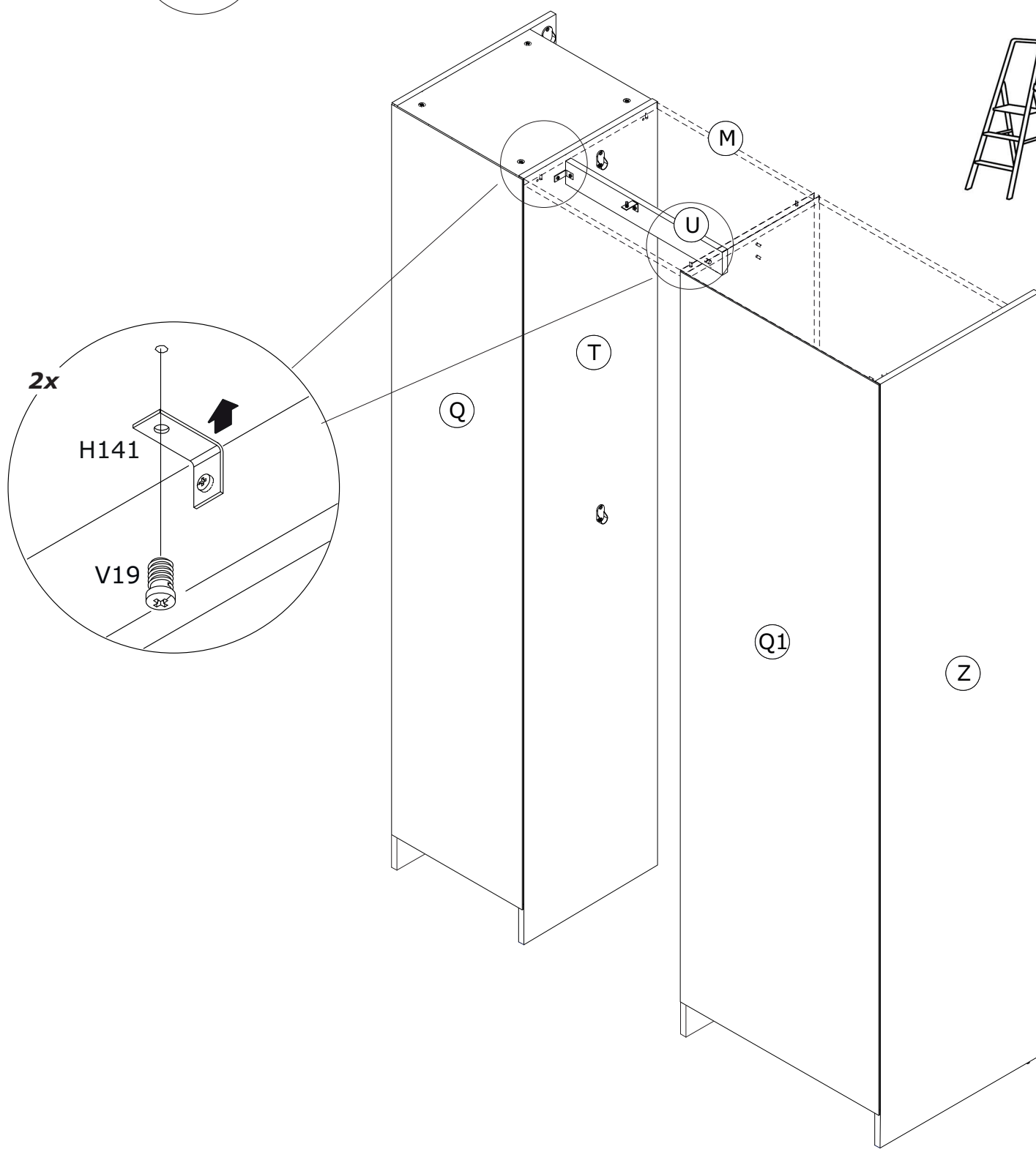
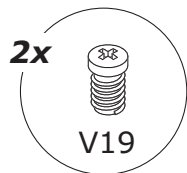


B1





B1



B1

