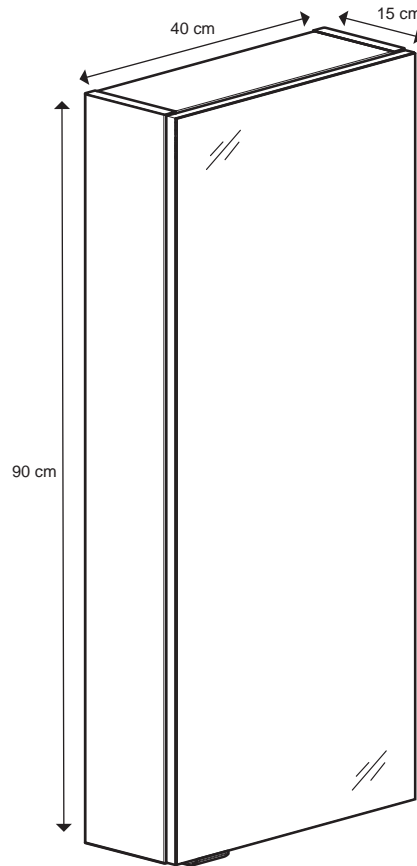


3663602933267
3663602931782
3663602931799
3663602931805



3663602933397

Imandra

V11016



EN IMPORTANT - Please read carefully the separate safety guide before use.

FR IMPORTANT - Lire attentivement le guide de sécurité séparé avant utilisation.

DE WICHTIG - Bitte lesen sie die separaten sicherheitsanweisungen vor gebrauch.

ES IMPORTANTE - Lea atentamente la guía de seguridad separado antes de utilizar.

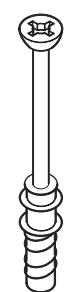
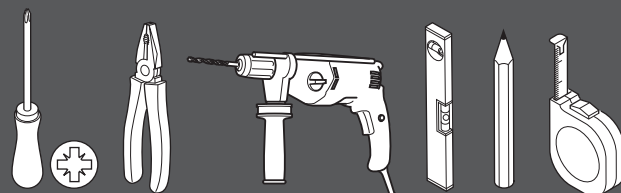
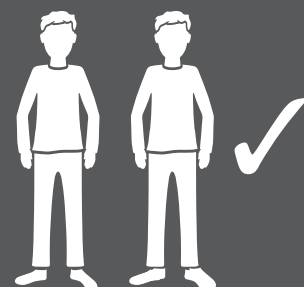
PT IMPORTANTE - Leia atentamente o guia de segurança separado antes de usar.

RU ВАЖНО - Пожалуйста, внимательно прочитайте отдельное руководство по технике безопасности перед использованием.

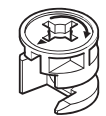
NO IMPORTANT - Vå rugåm s  cilti cu atenie ghidul de sigurana separat înainte de utilizare.

TR NEMLI - Kullanmadan nce emniyet kurallarını lfen dikkatle okuyun.

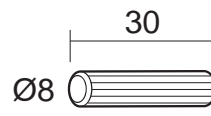
PL WAŻNE - Przed użyciem proszę dokładnie zapoznać się z instrukcją bezpieczestwa.



[A] x4



[B] x4



[C] x8



[D] x2



[E] x4



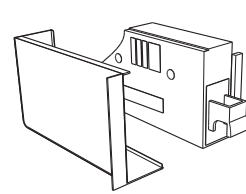
[F] x8



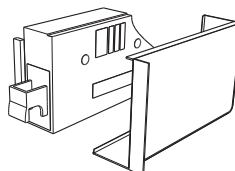
[G] x8



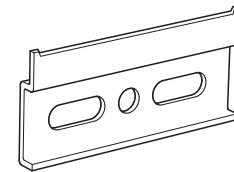
[H] x4
(Ø3.5 x 30mm)



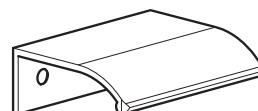
[I] x1



[J] x1



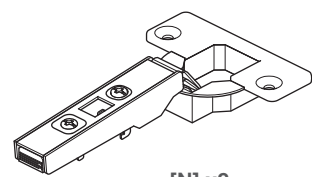
[K] x2



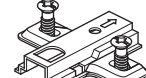
[L] x1



[M] x2
(Ø3.5 x 15mm)



[N] x2



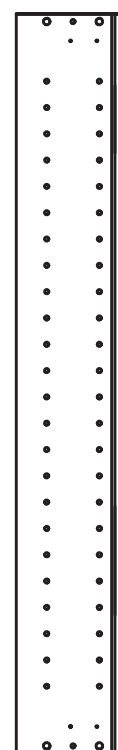
[O] x2



[P] x1



[Q] x4
(Ø3.5 x 15mm)



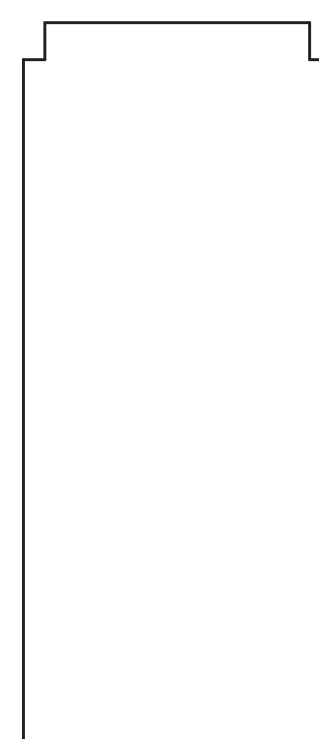
[01] x2



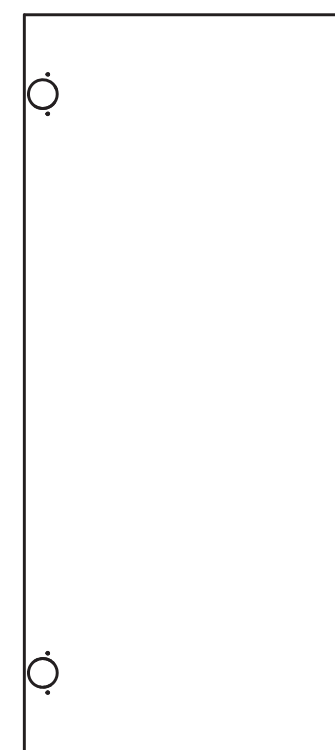
[02] x2



[03] x2



[04] x1



[05] x1



EN Wall cabinet
 DE Wandschrank
 ES Armario de pared An

FR Rangement mural
 RU Настенный шкаф
 PT Armário de parede

PL Szafka ścienna Szer
 RO Dulap de perete
 TR Duvar Boy dolabı

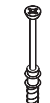
4



01



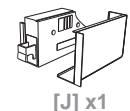
[01] x2



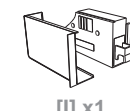
[A] x4



[H] x4



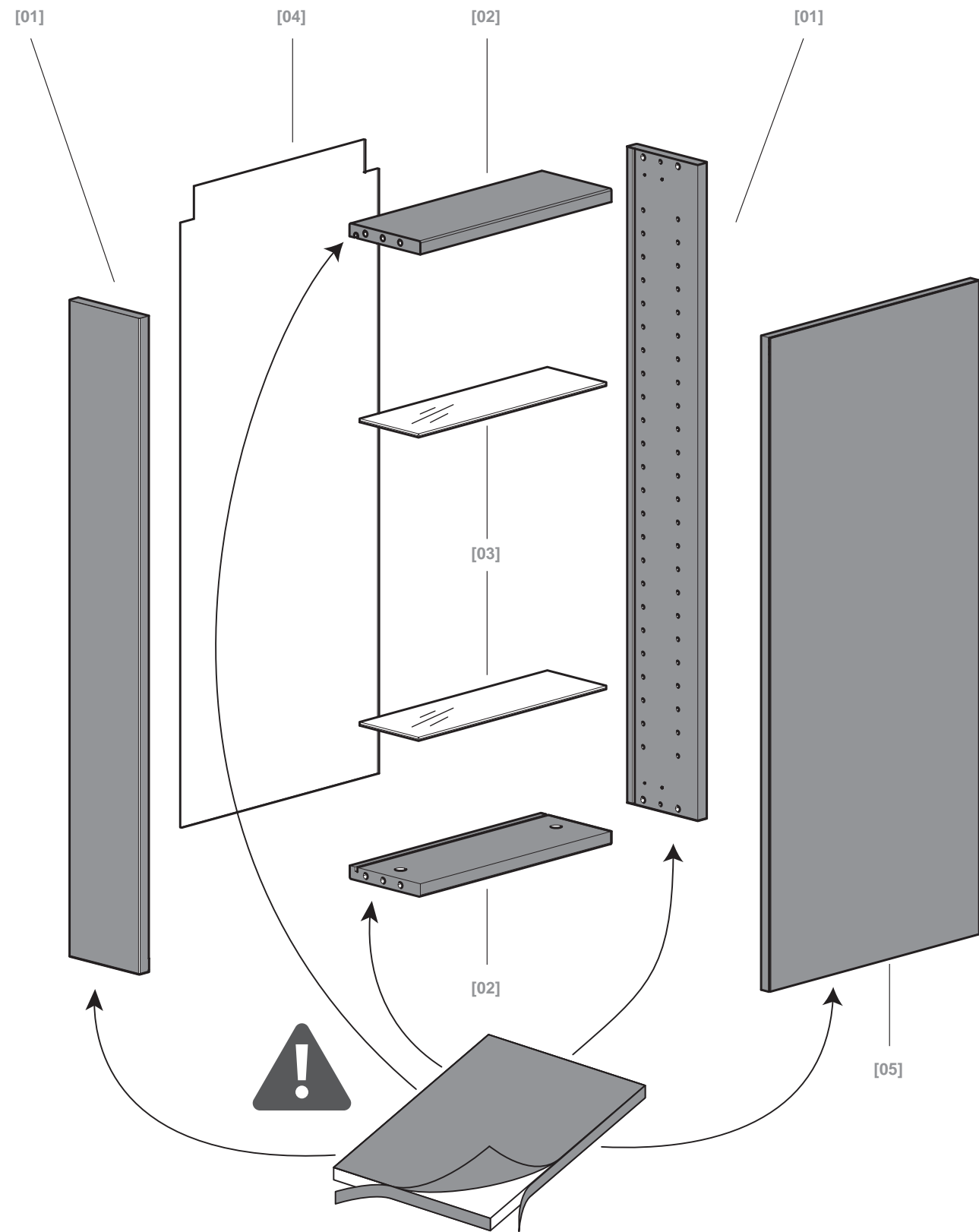
[J] x1



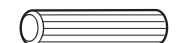
[I] x1

EN Assembly
 FR Assemblage
 PL Montaż
 DE Montage
 RU Сборка
 RO Asamblare
 ES Montaje
 PT Montagem
 TR Kurulum

5



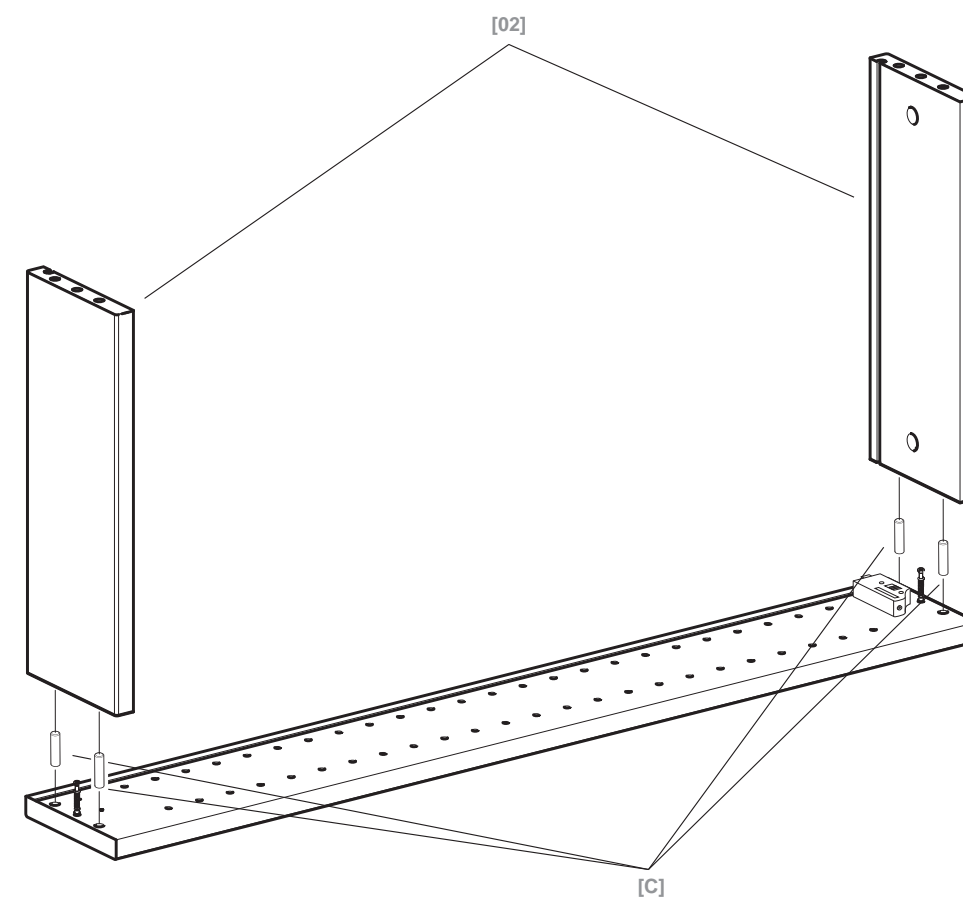
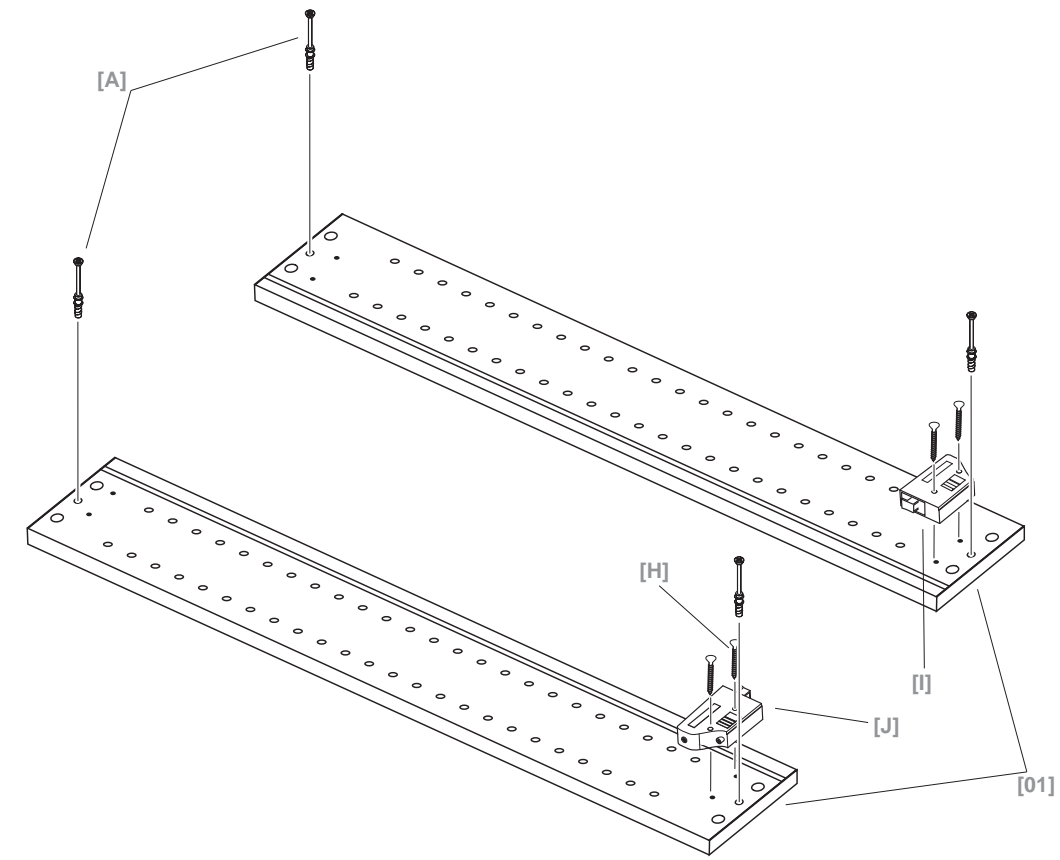
02



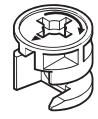
[C] x4



[02] x2



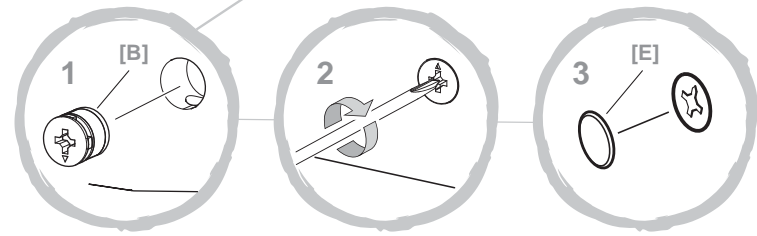
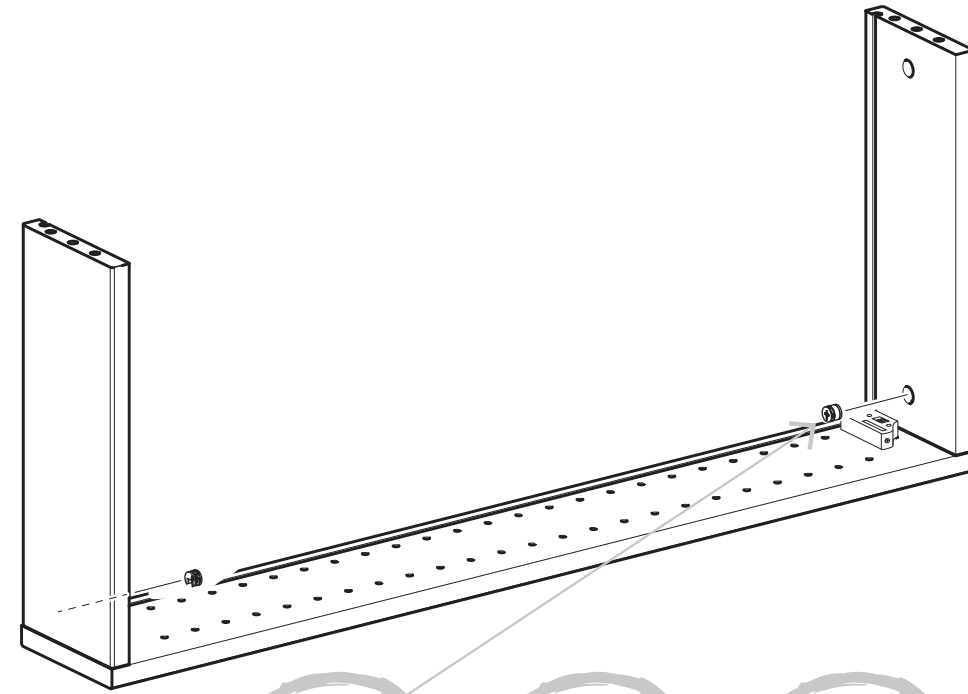
03



[B] x2



[E] x2

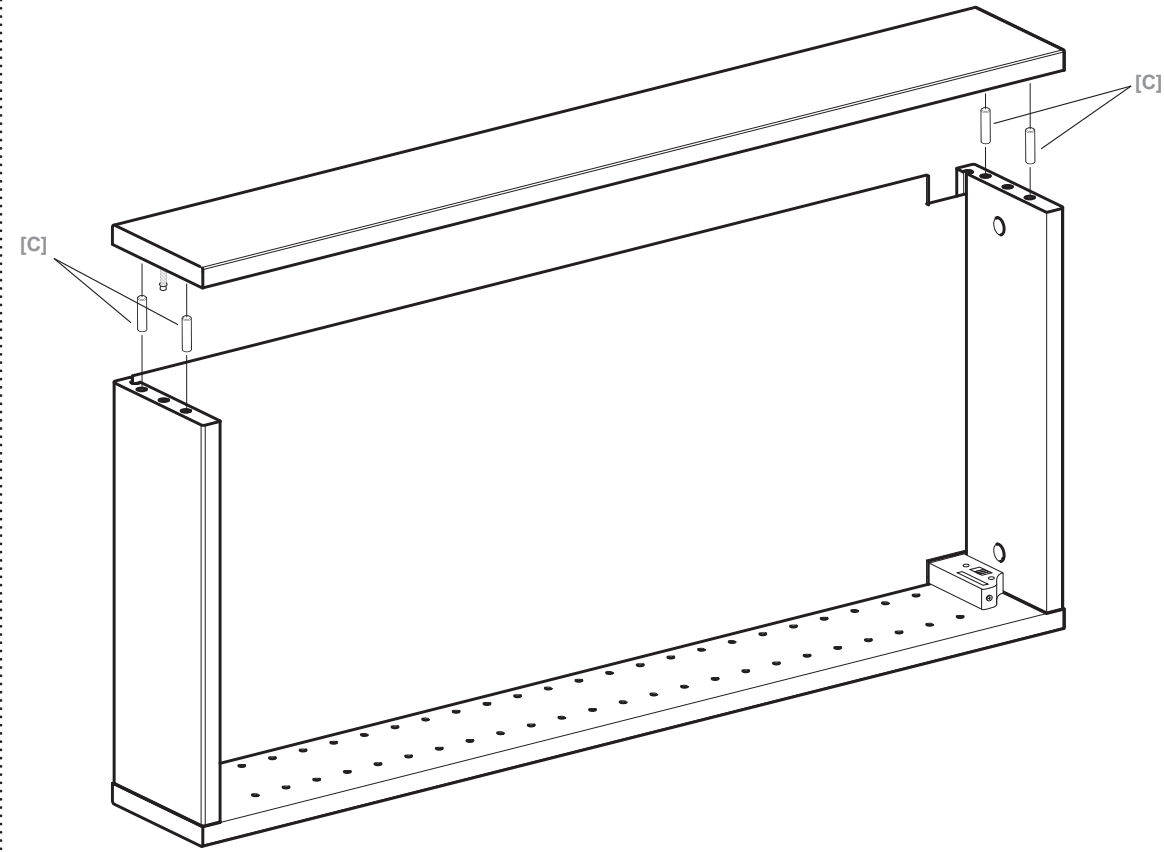


6

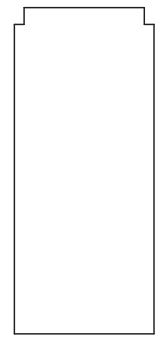
05



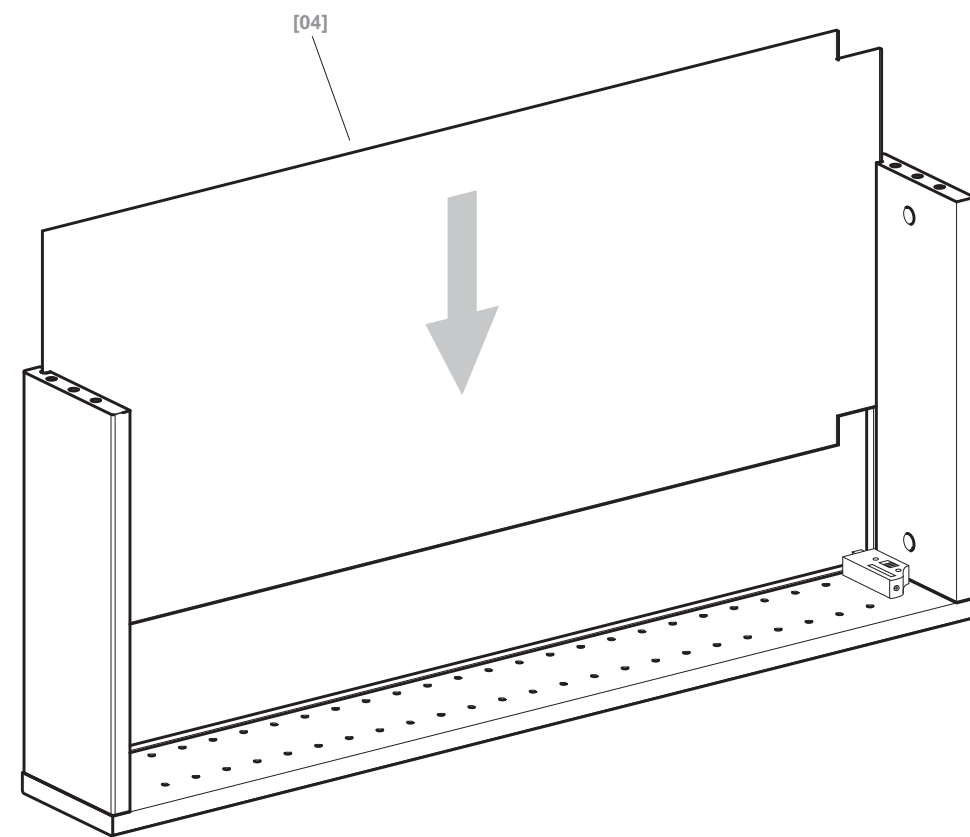
[C] x4



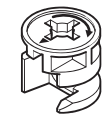
04



[04] x1



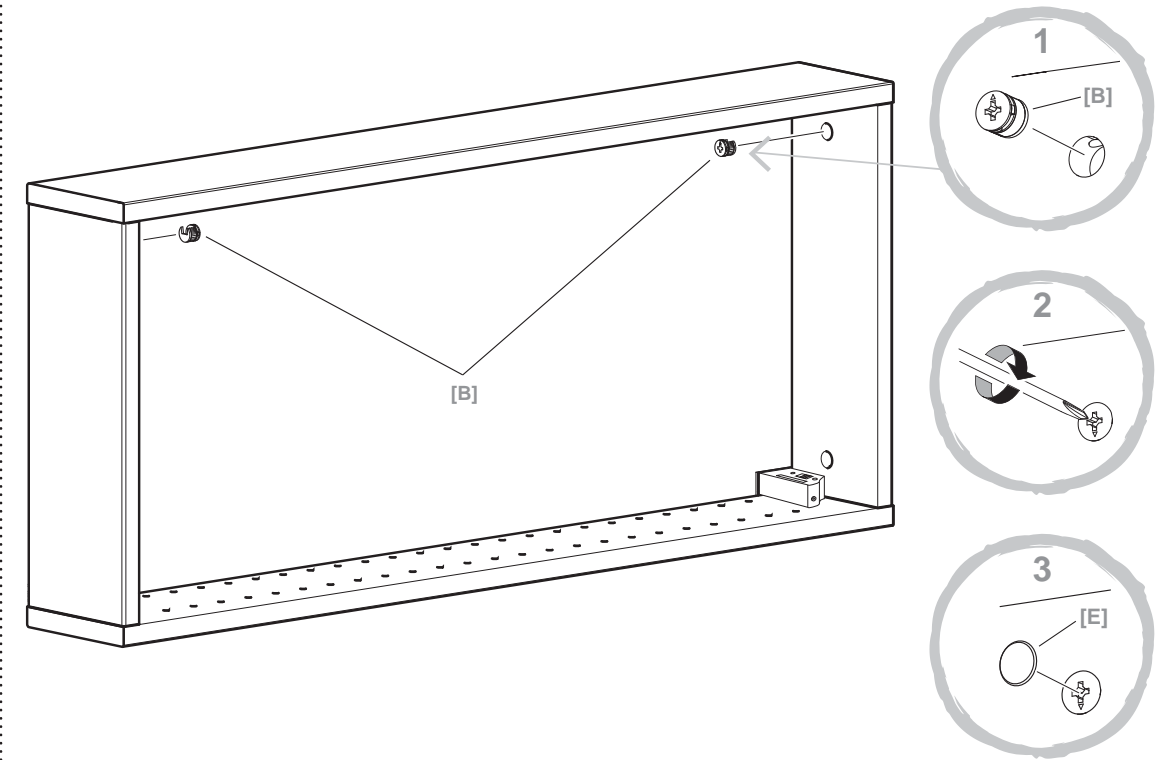
06



[B] x2



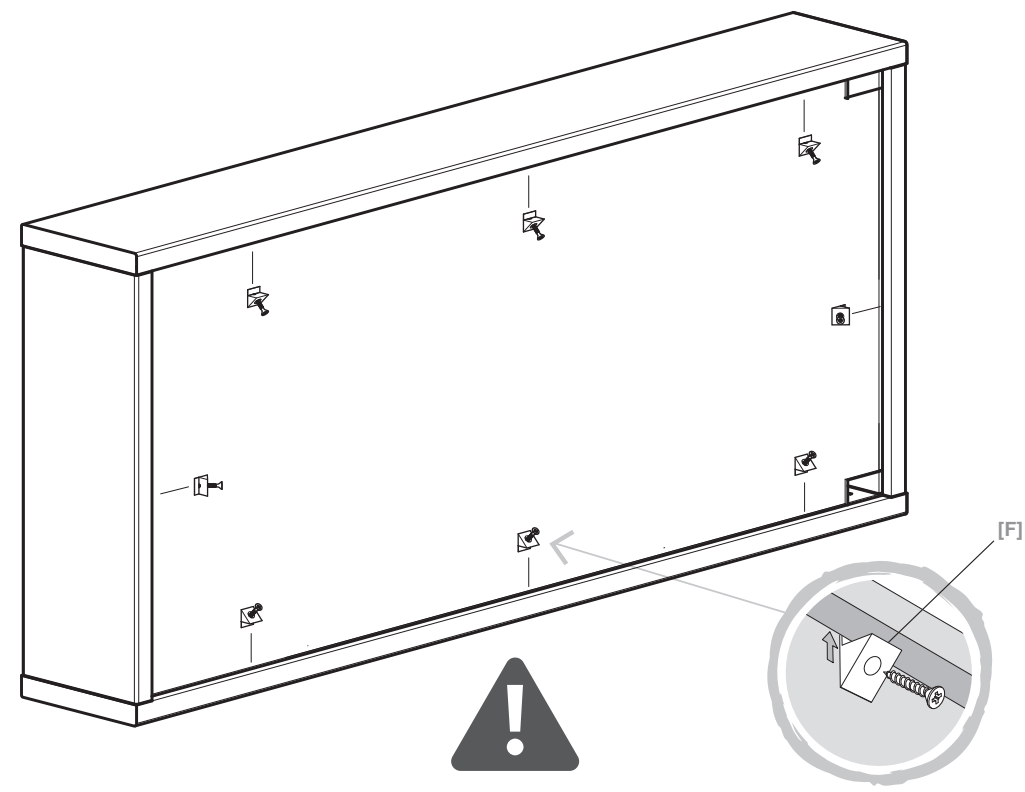
[E] x2



07

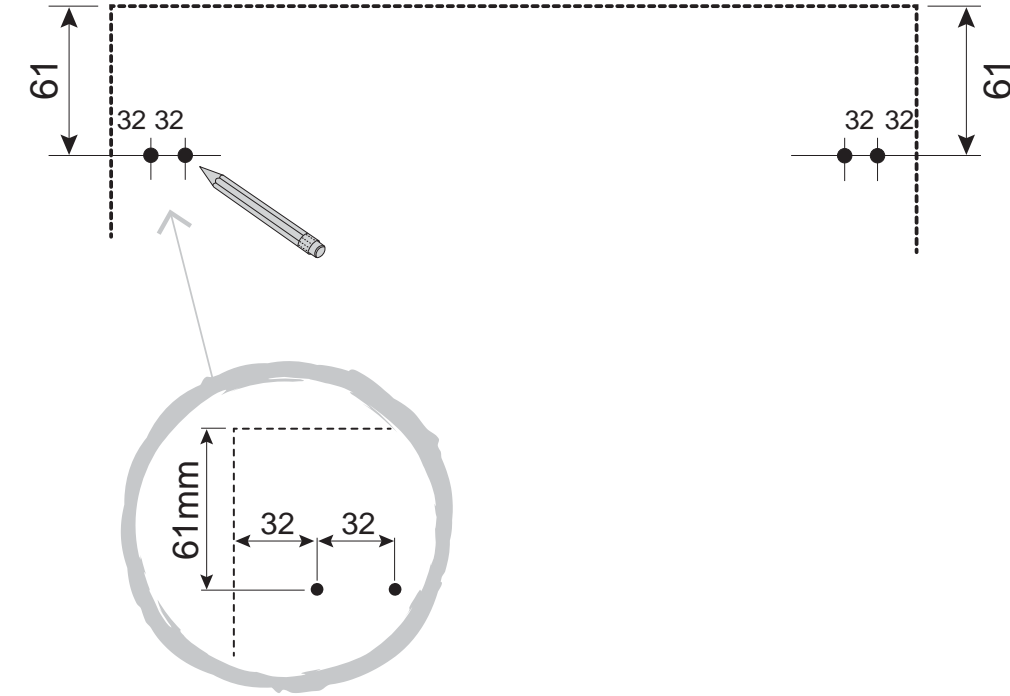


[F] x8



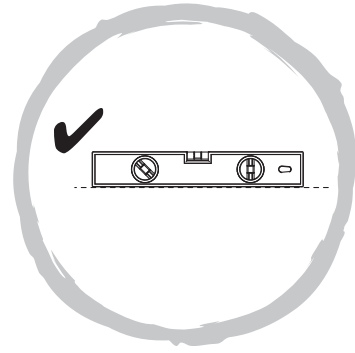
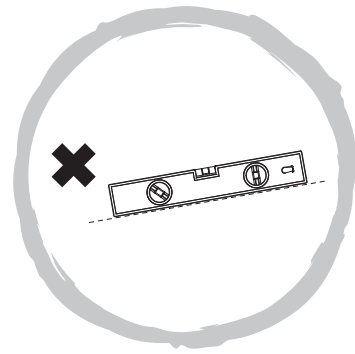
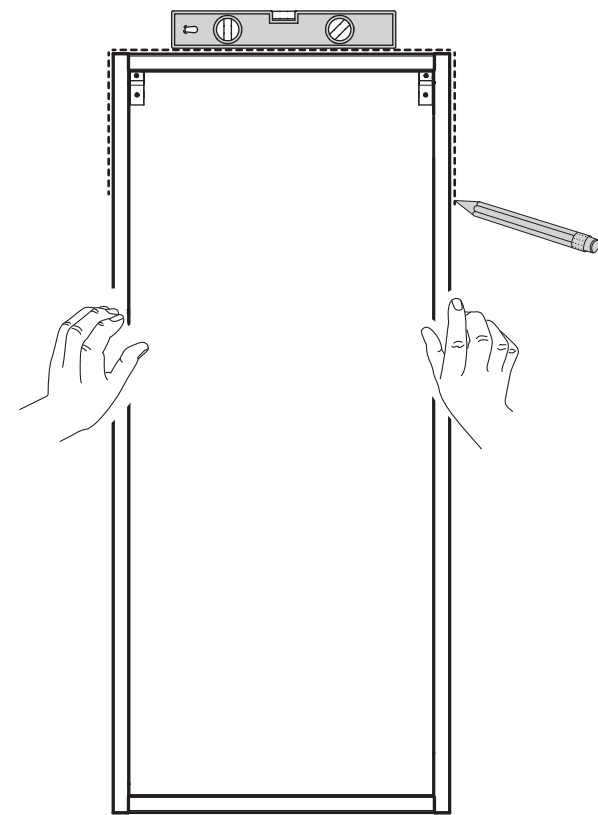
8

09

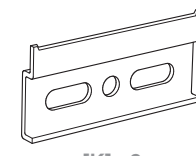


9

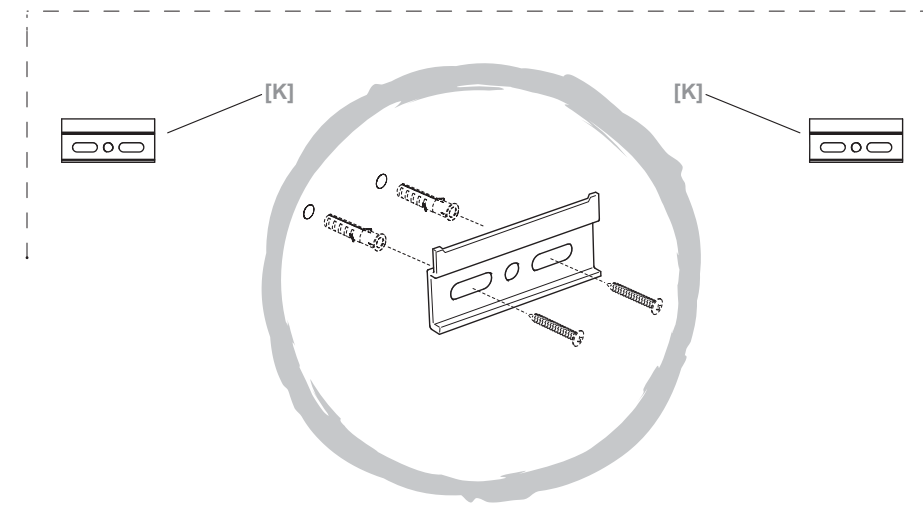
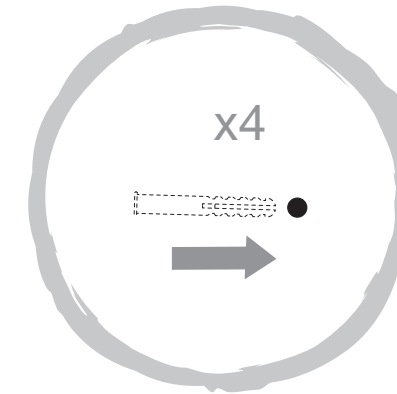
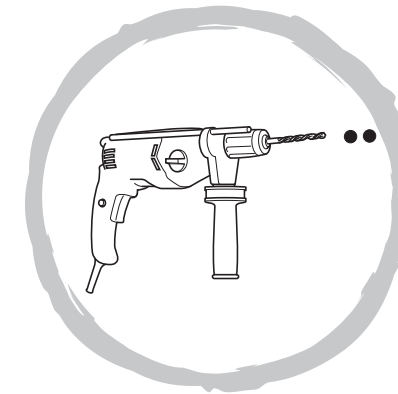
08



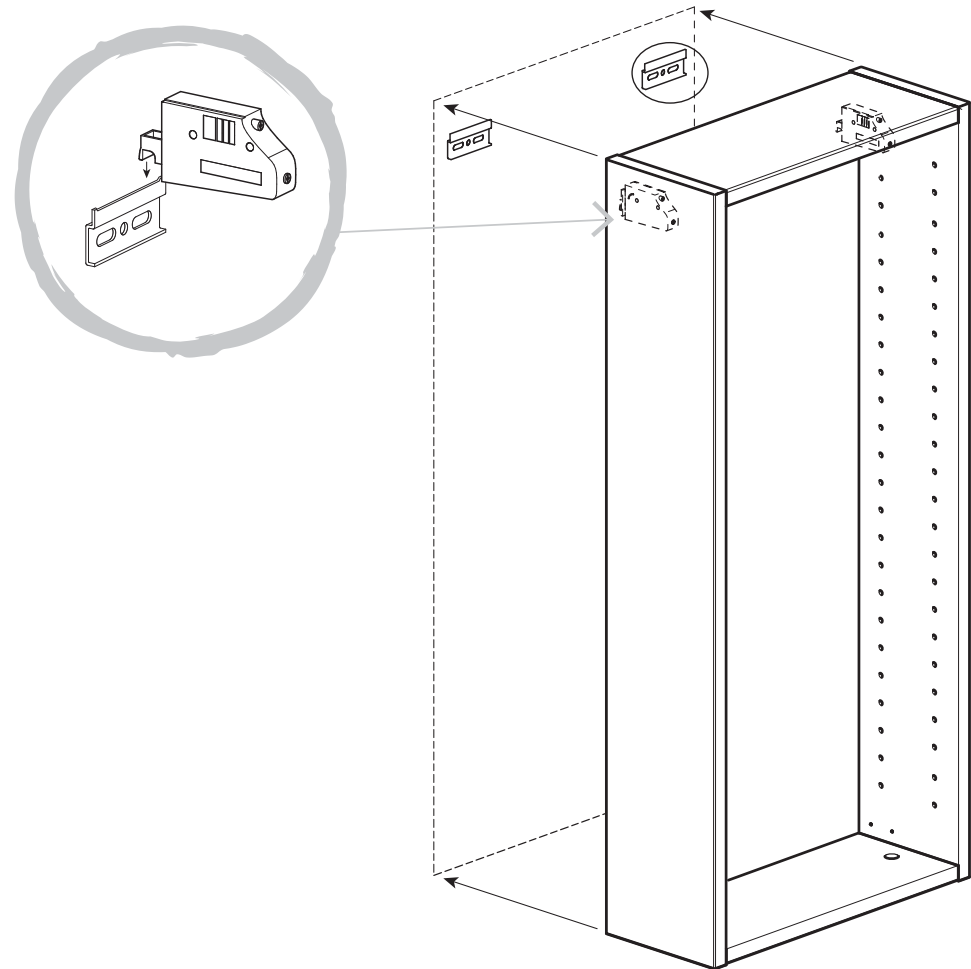
10



[K] x2

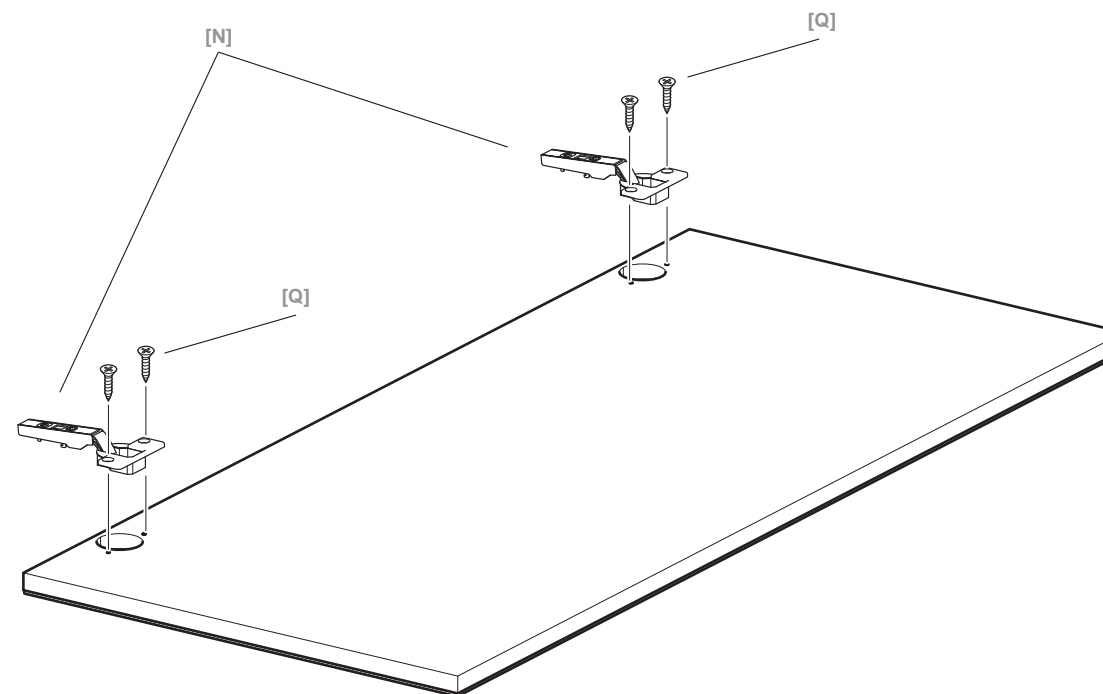
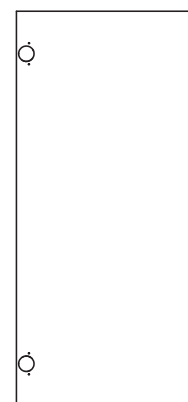
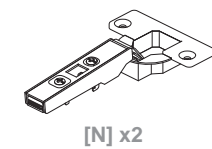


11



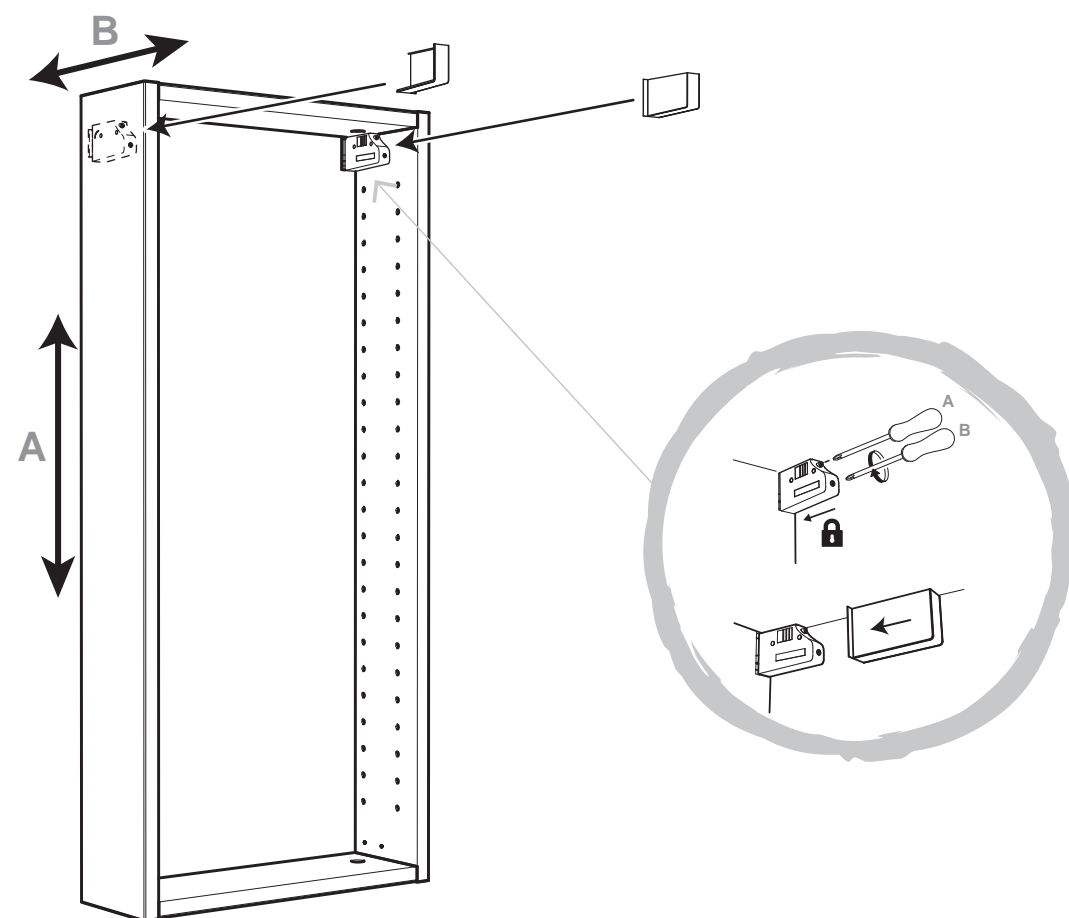
10

13

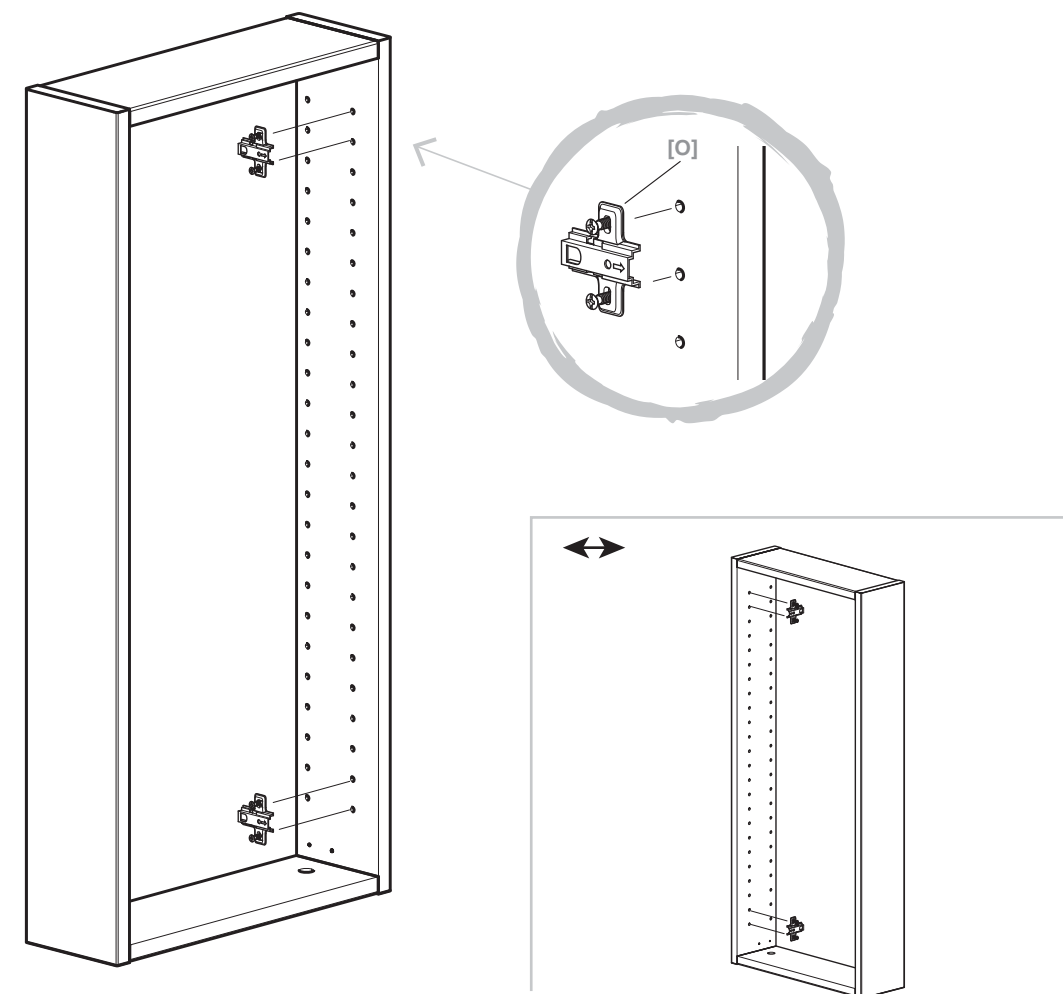
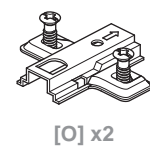


11

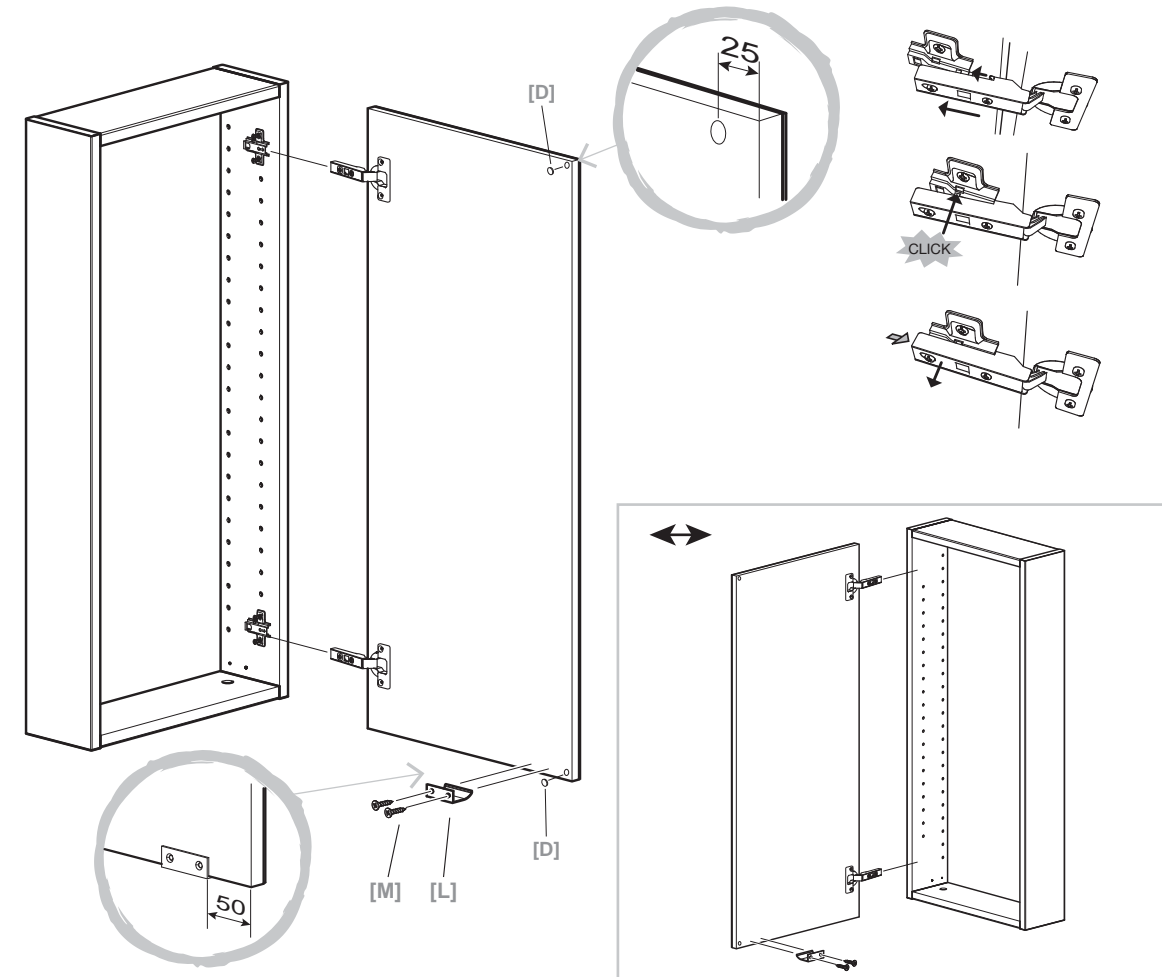
12



14

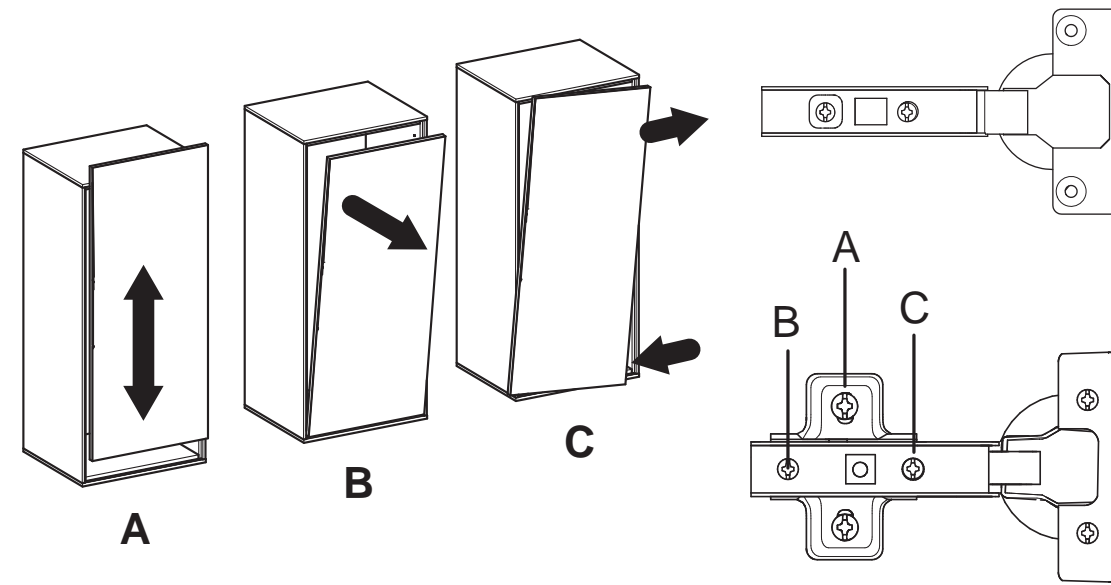


15



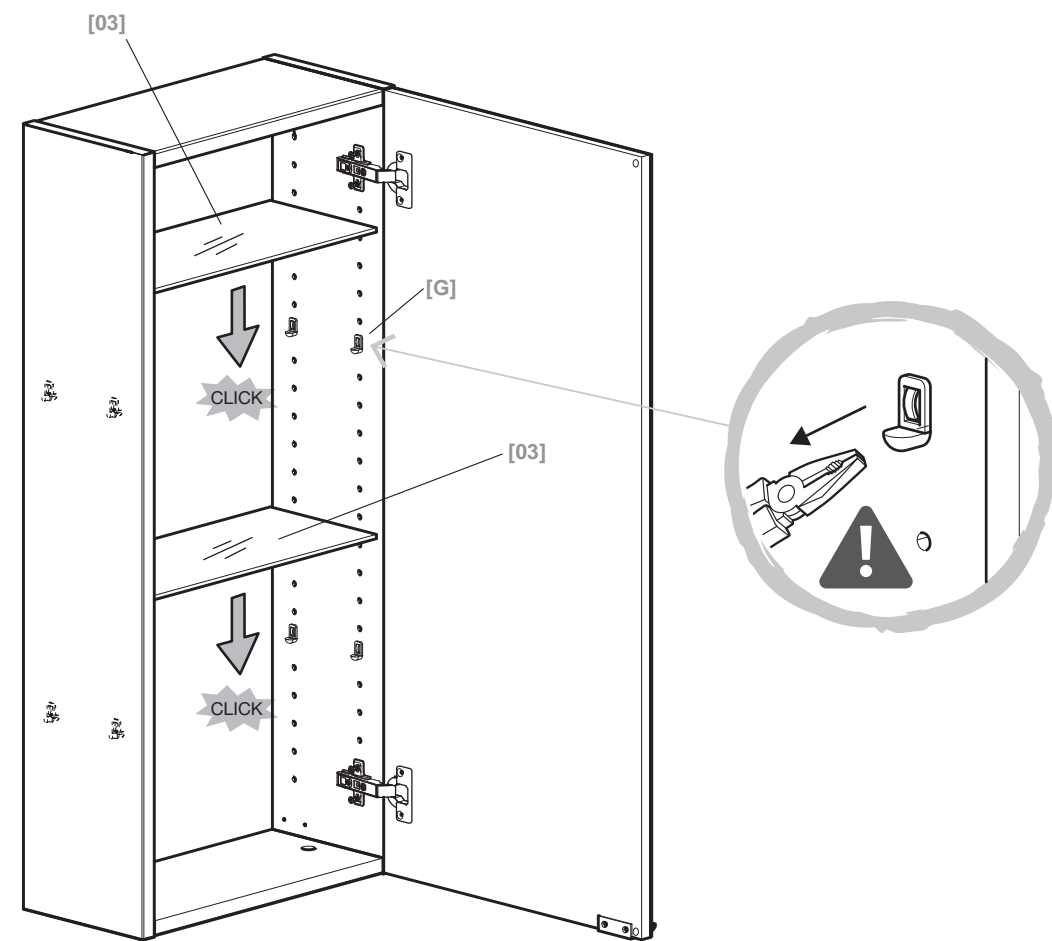
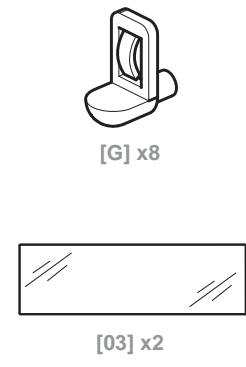
12

17

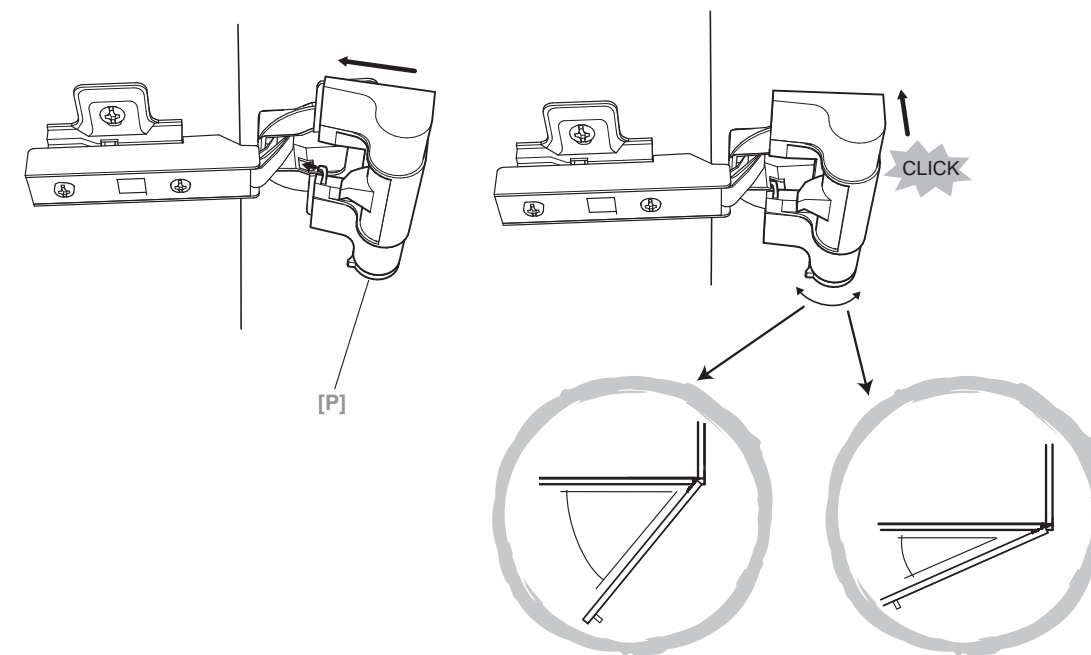
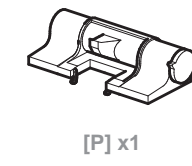


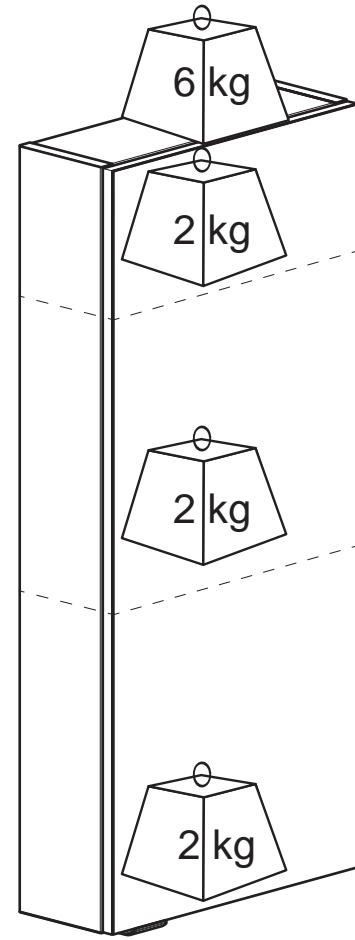
13

16



18





14

Kingfisher International Products Limited,
3 Sheldon Square, London, W2 6PX,
United Kingdom

EN

Distributor:

B&Q plc, Chandlers Ford, Hants, SO53 3LE
United Kingdom www.diy.com

SFD Limited, Trade House, Mead Avenue,
Yeovil, BA22 8RT, United Kingdom

**Manufacturer, Fabricant, Producent,
Hersteller, Producator, Fabricante:**

Kingfisher International Products Limited,
3 Sheldon Square, London, W2 6PX,
United Kingdom

FR

Distributeur:

Castorama France C.S. 50101 Templemars
59637 Wattignies CEDEX www.castorama.fr

BRICO DÉPÔT 30-32 rue de la Tourelle
91310 Longpont-sur-Orge France
www.bricodepot.com

PL

Dystrybutor:

Castorama Polska Sp. z o.o. ul.
Krakowiaków 78, 02-255 Warszawa
www.castorama.pl

DE

Screwfix Direct Limited Mühlheimer
Straße 15363075 Offenbach/Main
www.screwfix.de

RUS

Импортер:

ООО "Касторама РУС" Дербеневская наб.,
дом 7, стр 8 Россия, Москва, 115114
www.castorama.ru

Изготовитель для России:

Фриул Интагли Индастриес СпА э
Социо Юнико
33080, Виа Одерзо 68, Вилланова ди
Прата (ПН), Италия

RO

Distribuitor:

SC Bricostore România SA Calea Giulești
1-3, Sector 6, București România
www.bricodepot.ro

ES

Distribuidor:

Euro Depot España, S.A.U. c/ La Selva, 10 -
Edificio Inblau A 1a Planta 08820-EI Prat de
Llobregat www.bricodepot.es

PT

Distribuidor:

Brico Depot Portugal SA Rua Castilho, 5 - 1
esquerdo, sala 13 1250-066 Lisboa www.bricodepot.pt

TR

İthalatçı Firma:

KOÇTAŞ YAPI MARKETLERİ TİC.
A.Ş. Taşdelen Mah. Sırrı Çelik Bulvarı No:
534788 Taşdelen/Çekmeköy/İSTANBUL Tel:
+90 216 4300300 Faks: +90 216 4844313
www.koctas.com.tr

Yetkili servis istasyonları ve yedek parça
temini için aşağıda yer alan Koçtaş Müşteri
Hattı ve Koçtaş Genel Müdürlük irtibat
bilgilerinden faydalanınız.

KOÇTAŞ MÜŞTERİ HİZMETLERİ
0850 209 50 50