

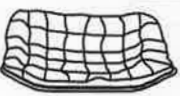












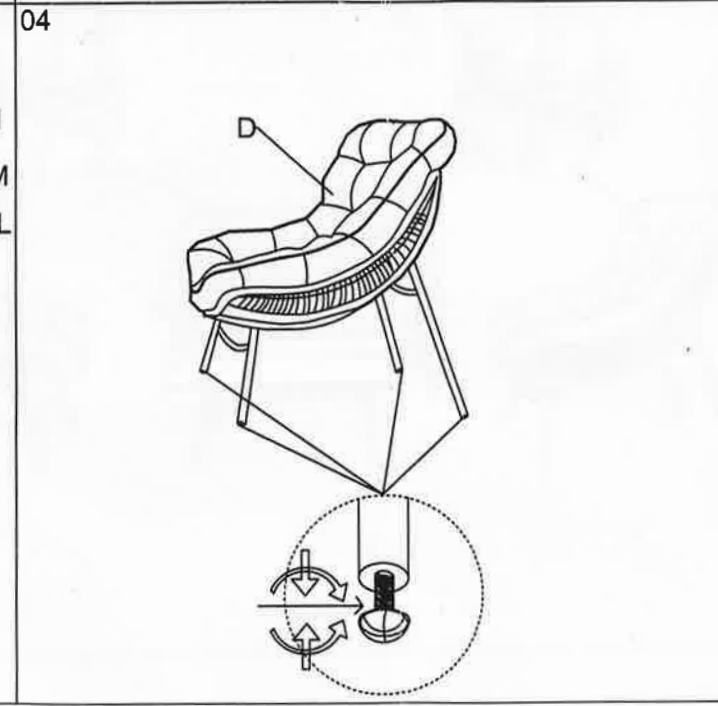
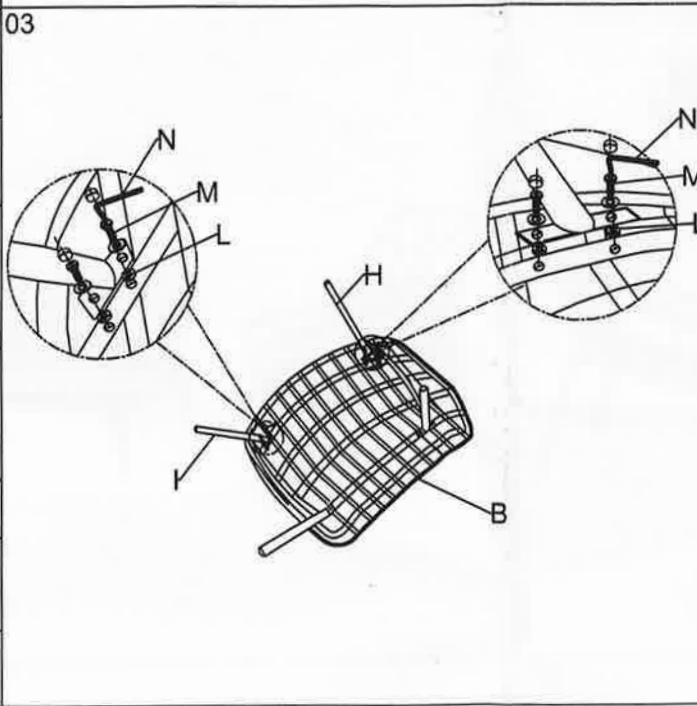
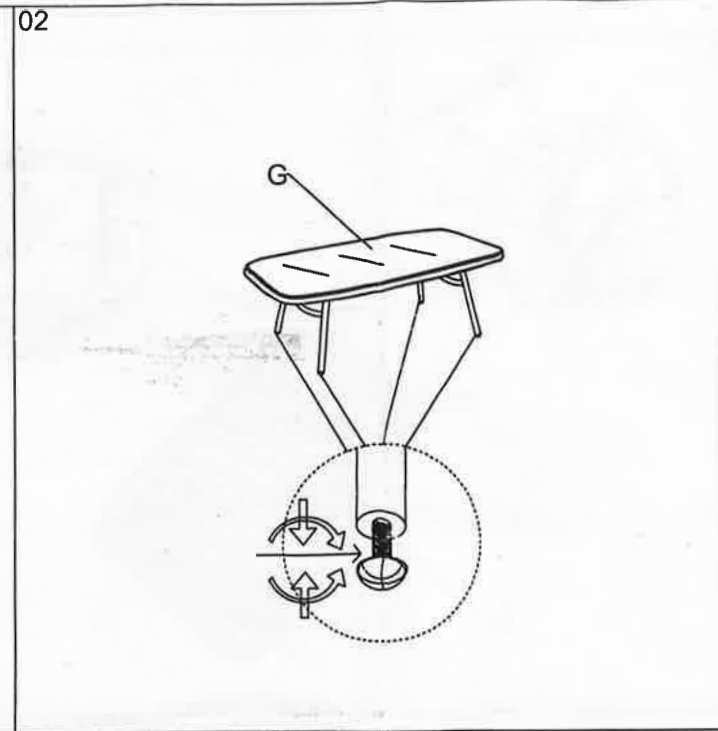
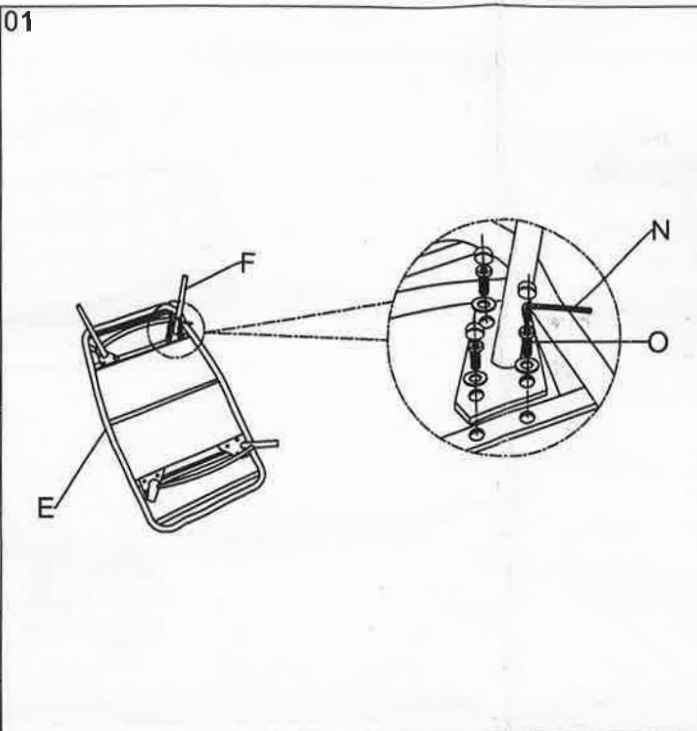
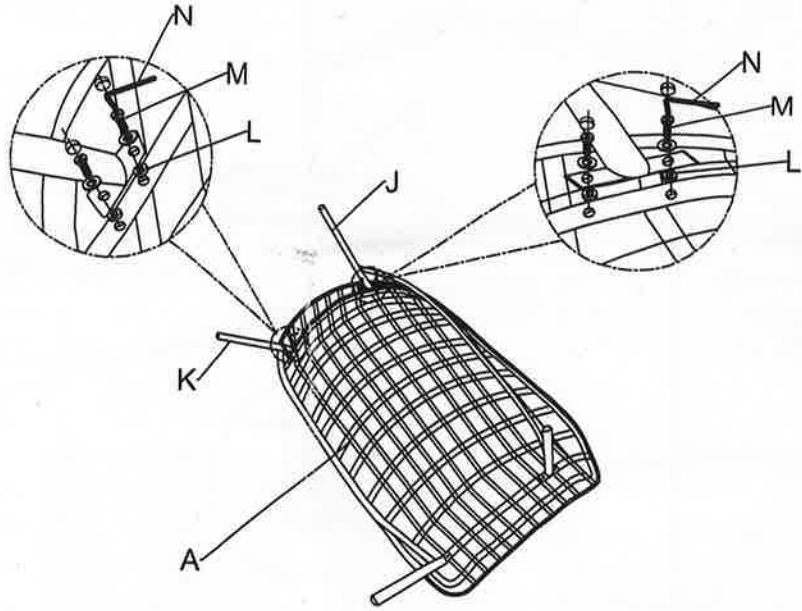


TULUM-S2

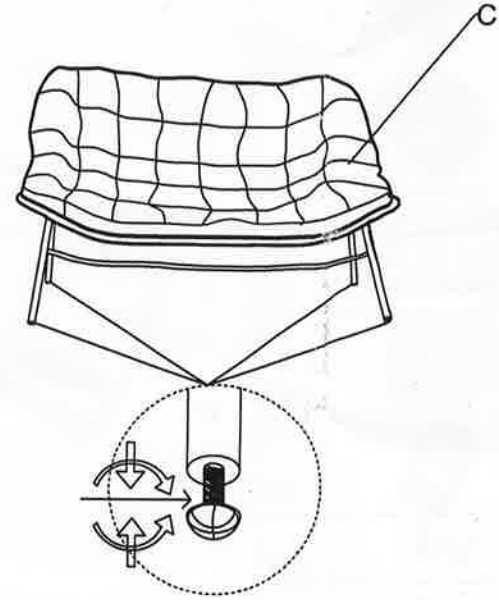
- A  x1
- B  x2
- C  x1
- D  x2
- E  x1
- F  x2
- G  x1
- H  x2
- I  x2
- J  x1
- K  x1
- L  x24
- M  x24
- O  x12
- N  x1



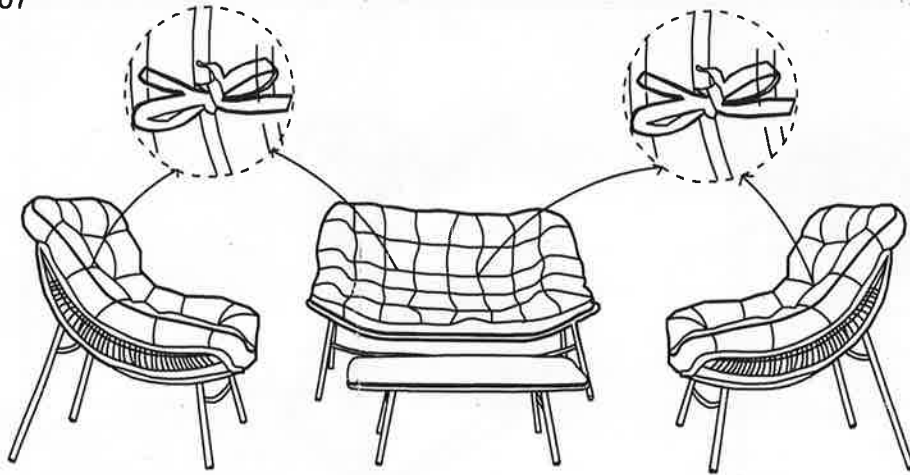
05



06



07



08

