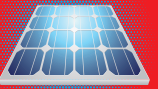


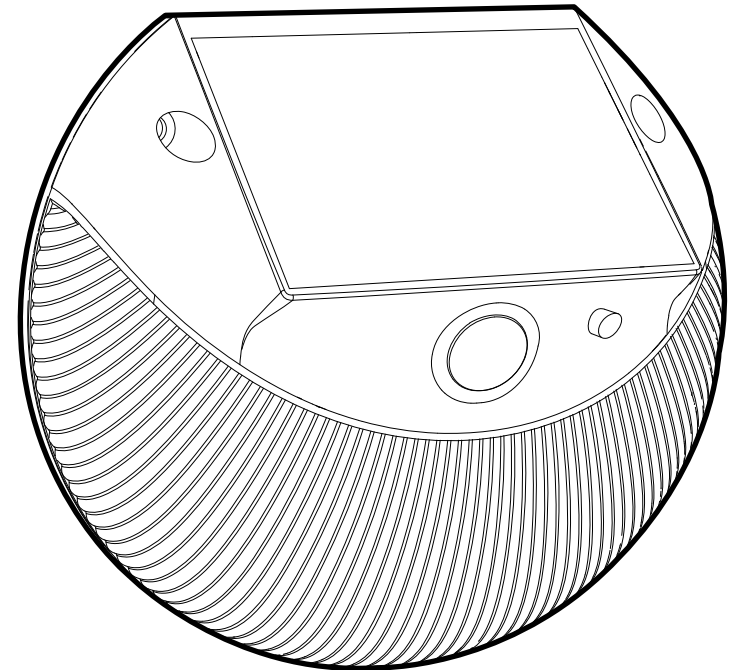
XanLite[®]
Design & Technologie LED

FR GB IT ES PT NL

SOLAR
TECHNOLOGY

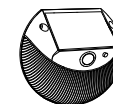


APSDL200



200lm

LED	IP44	COOL WHITE	>8h
1x18650 Li-ion 3.7V 1200mAh			



x1



x2



x2



V01
XanLite - Yantec
92 boulevard Victor Hugo
92110 Clichy - France
www.xanlite.com

