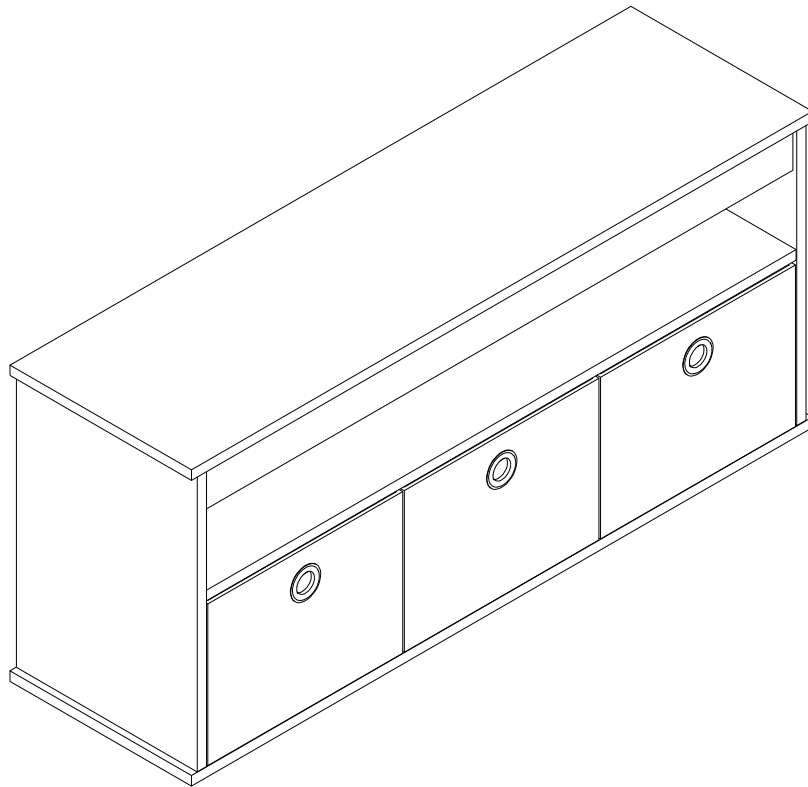
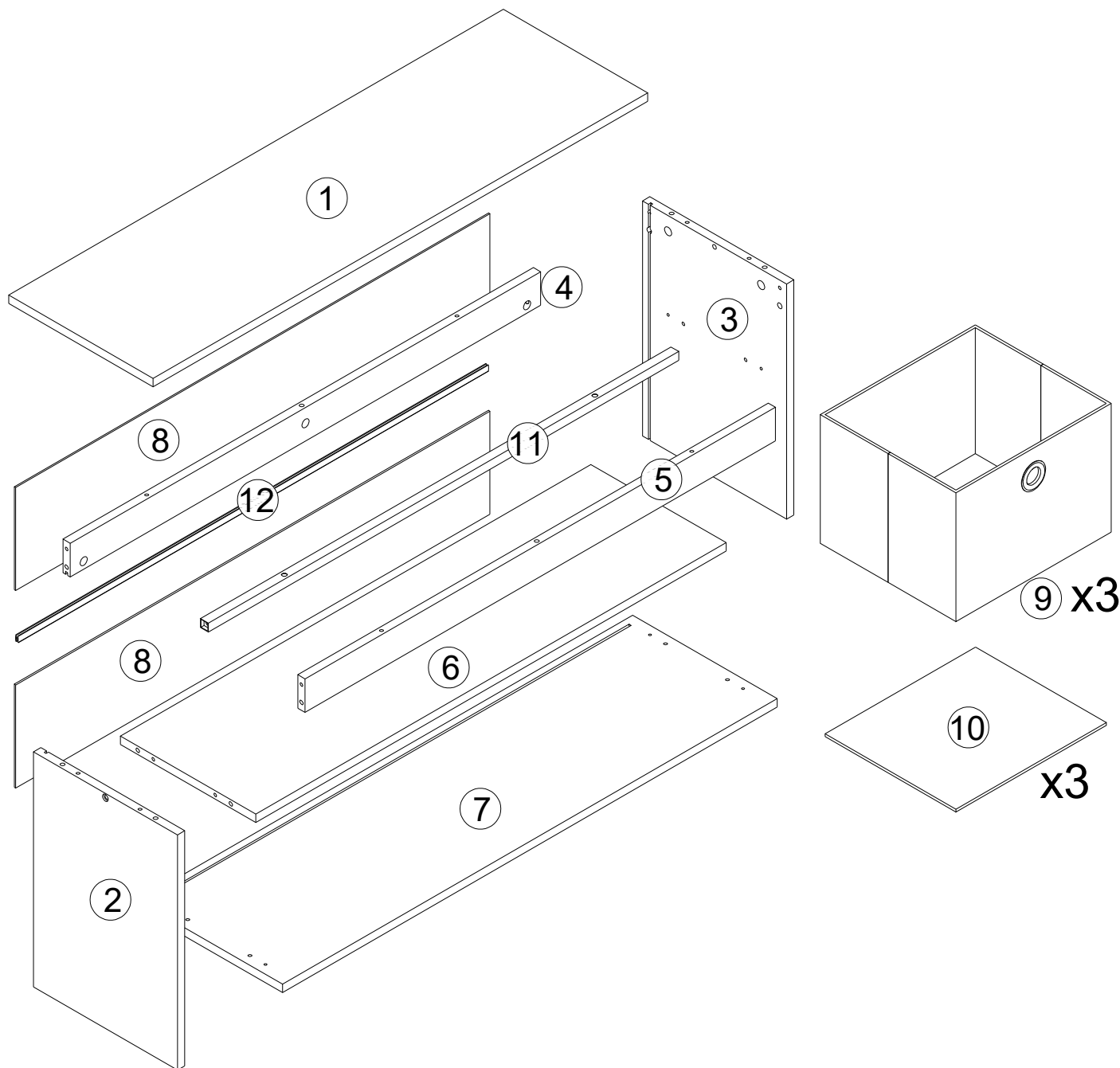
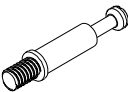


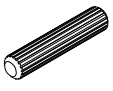
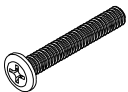

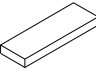
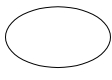

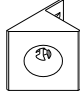


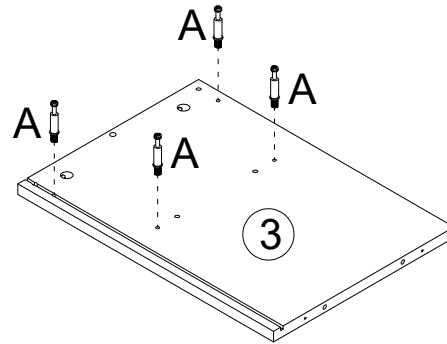
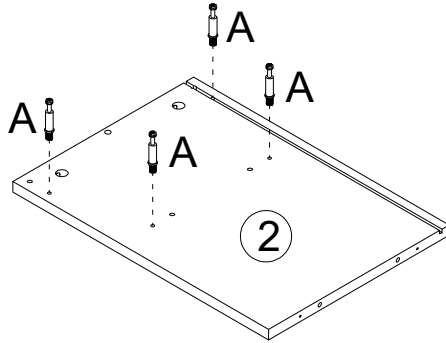
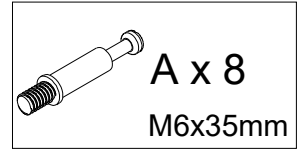
ASSEMBLY INSTRUCTION



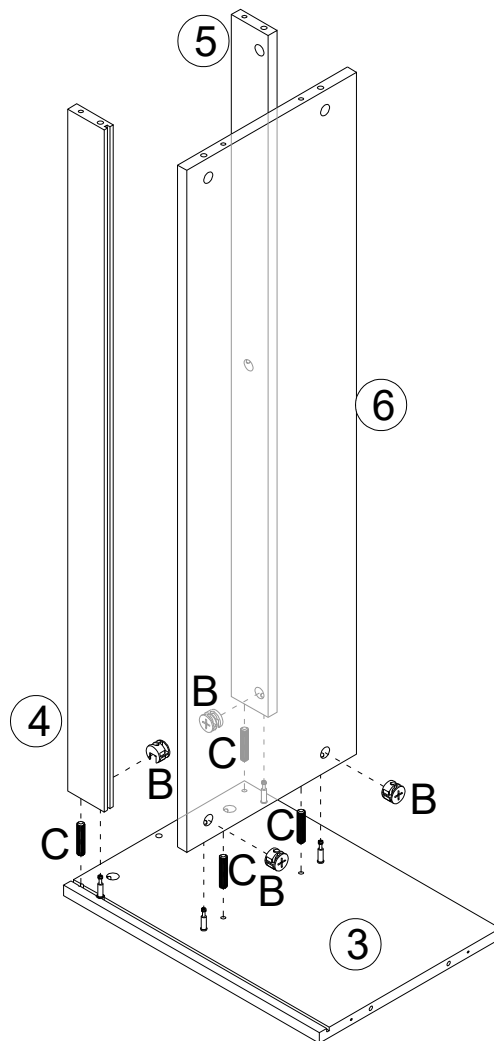
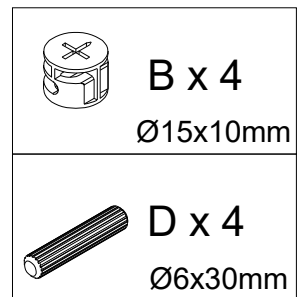


| | | | | |
|---|---|---|---|---|
|  A x 14 M6x35mm |  B x 14 Ø15x10mm |  C x 4 M4x40mm |  D x 20 Ø6x30mm |  E x 2 M6x40mm |
|  F x 2 M6x25mm |  G x 4 |  H x 2 |  J x 8 M3x14mm |  K x 8 |

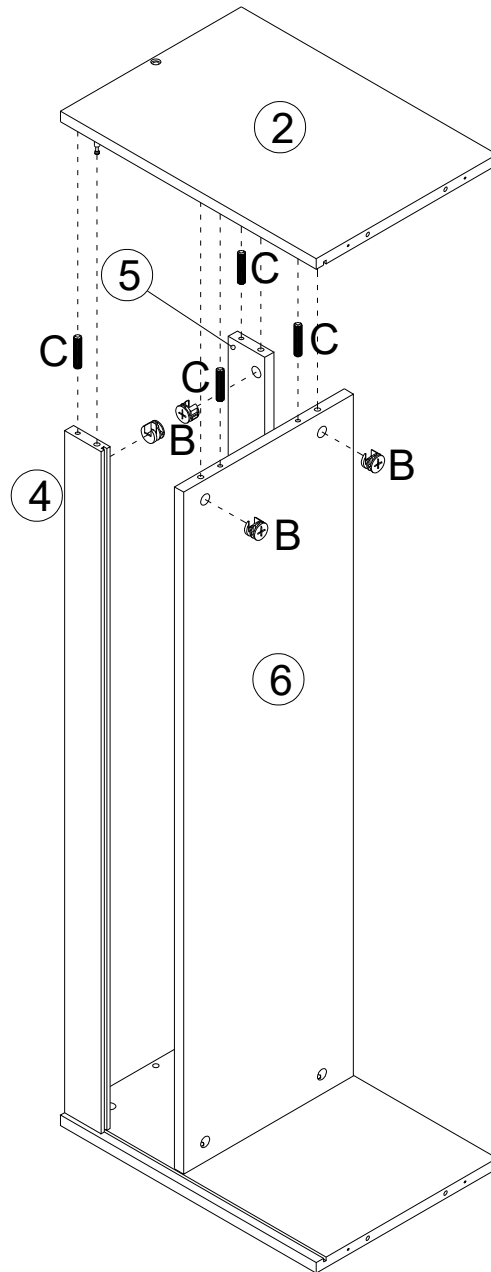
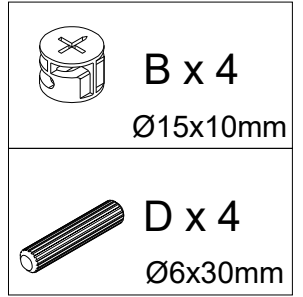
STEP 1



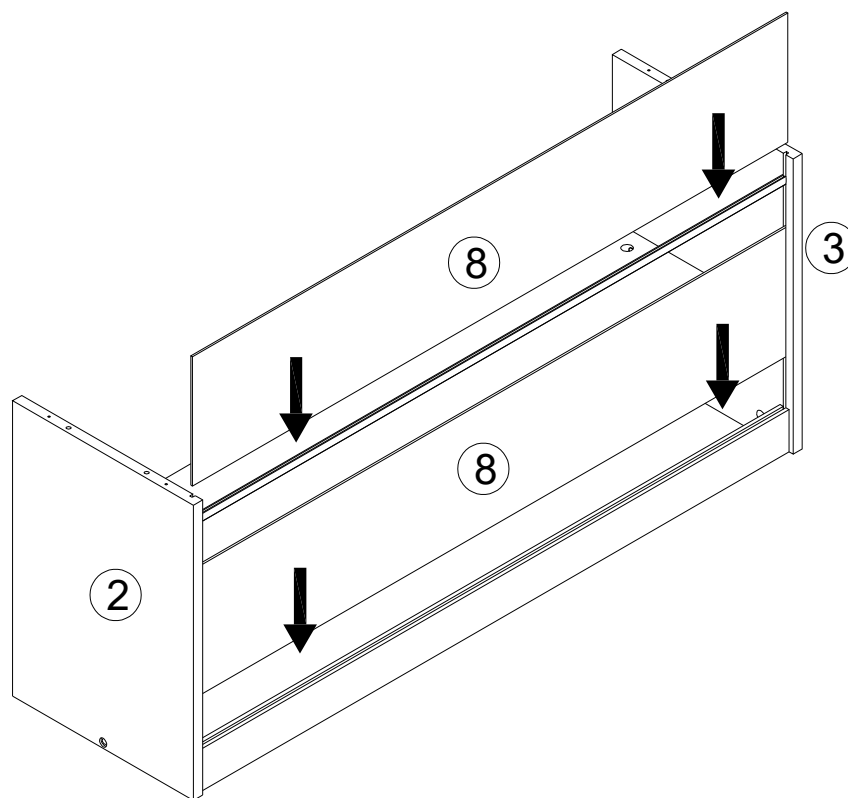
STEP 2



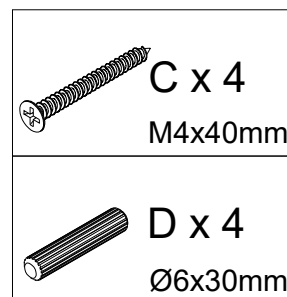
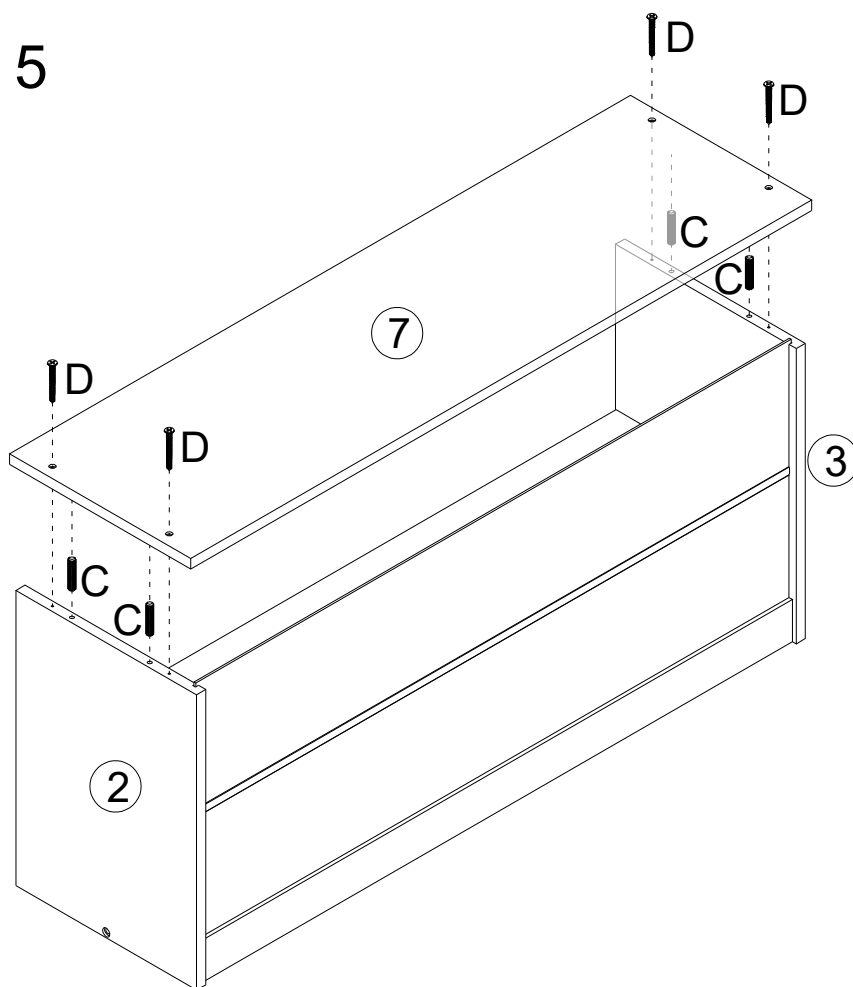
STEP 3



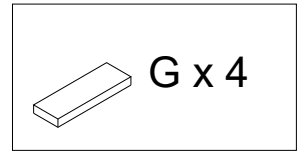
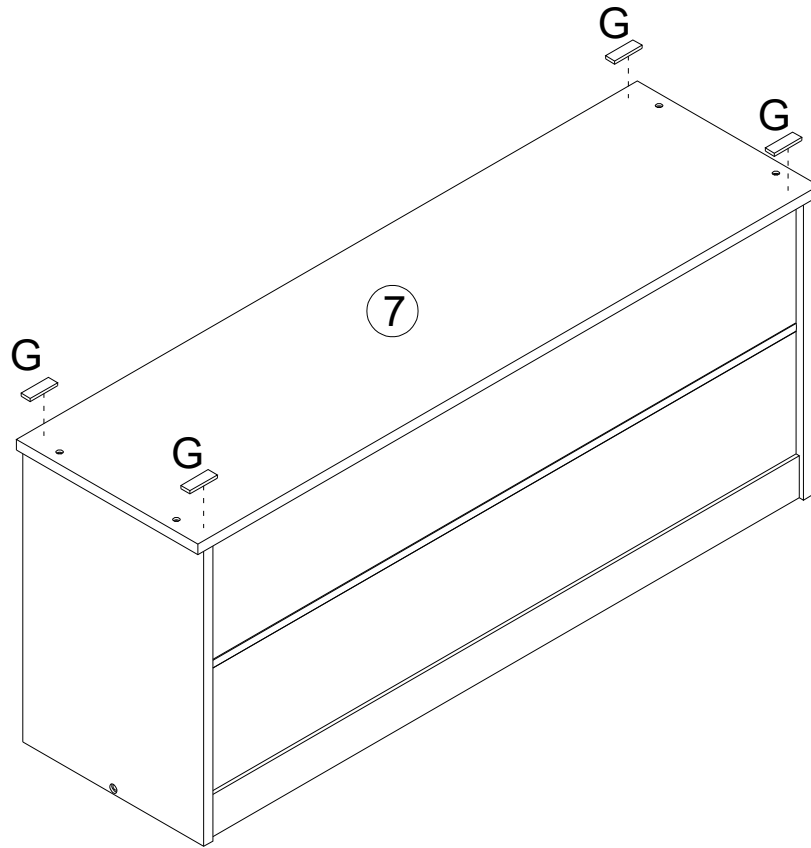
STEP 4



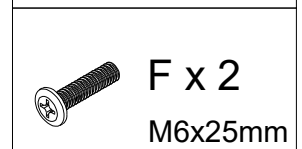
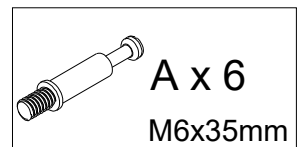
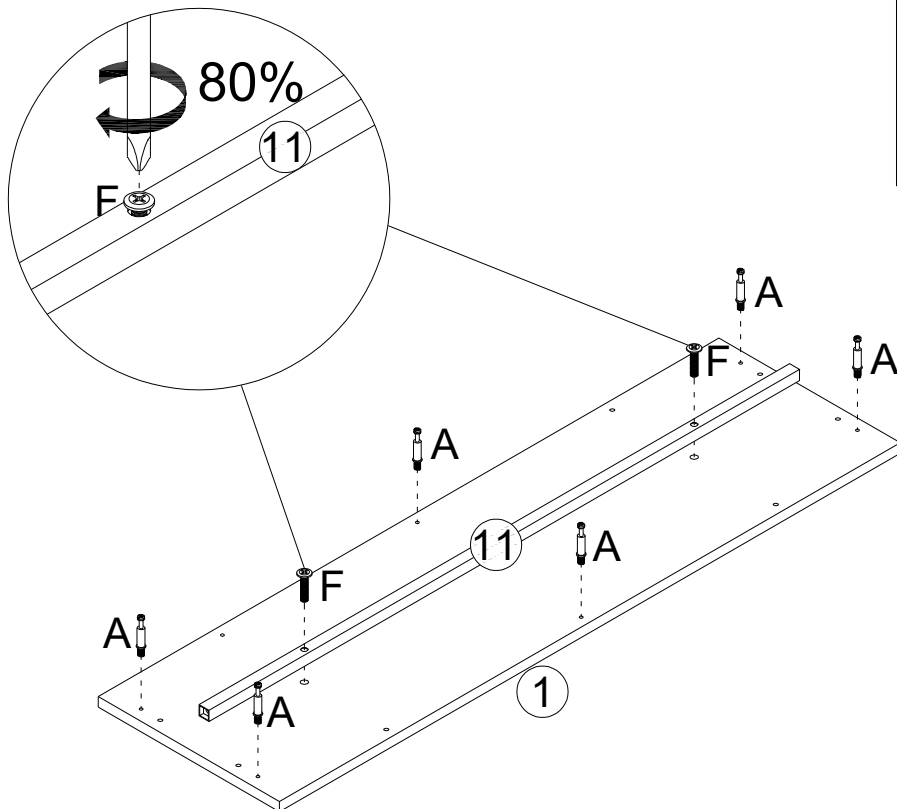
STEP 5



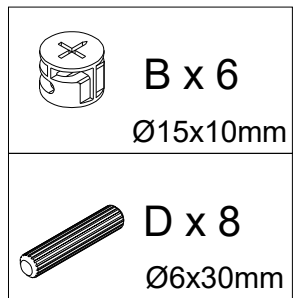
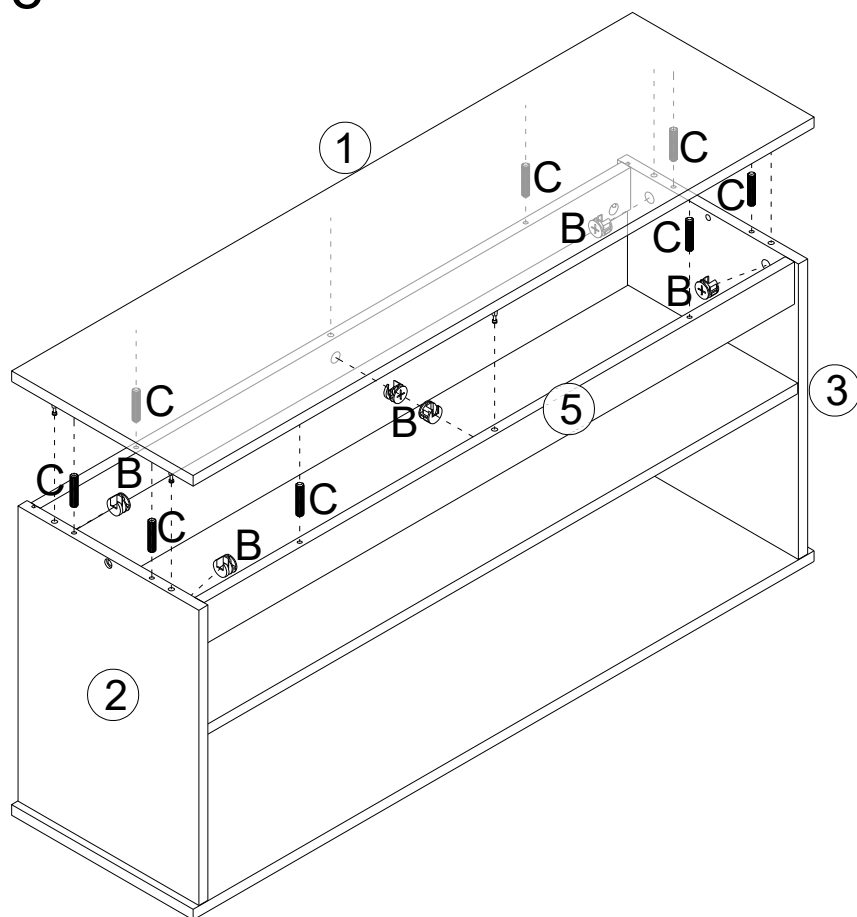
STEP 6



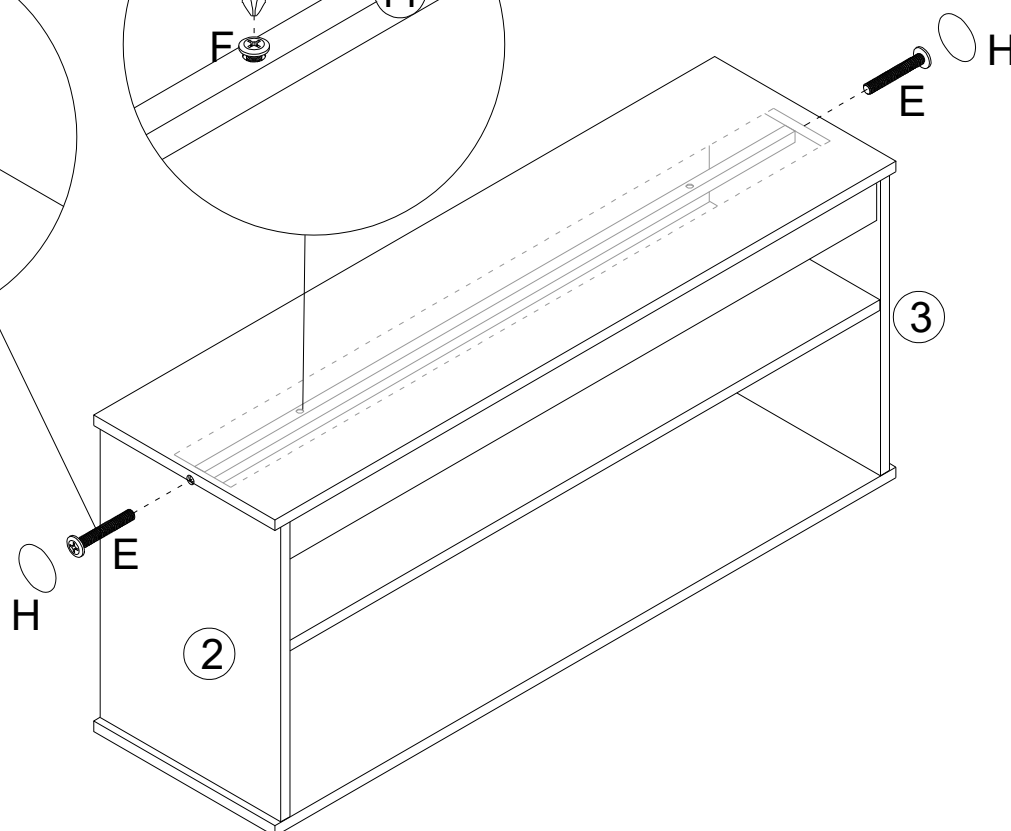
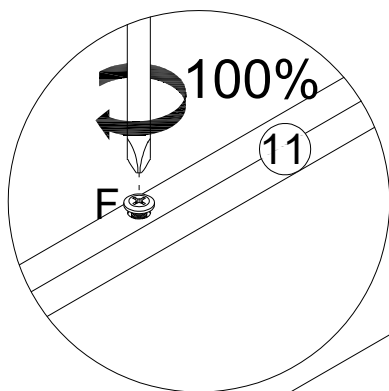
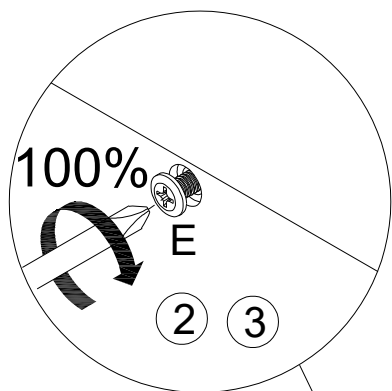
STEP 7



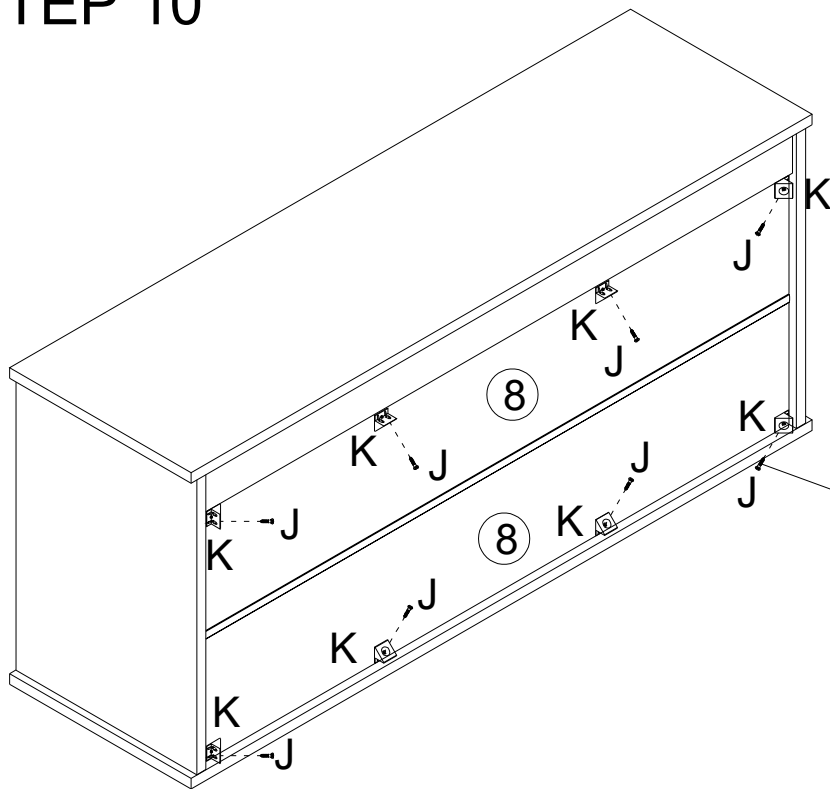
STEP 8





STEP 9



STEP 10



| | |
|---|------------------|
|  | J x 8 M3x14mm |
|  | K x 8 |

STEP 11

