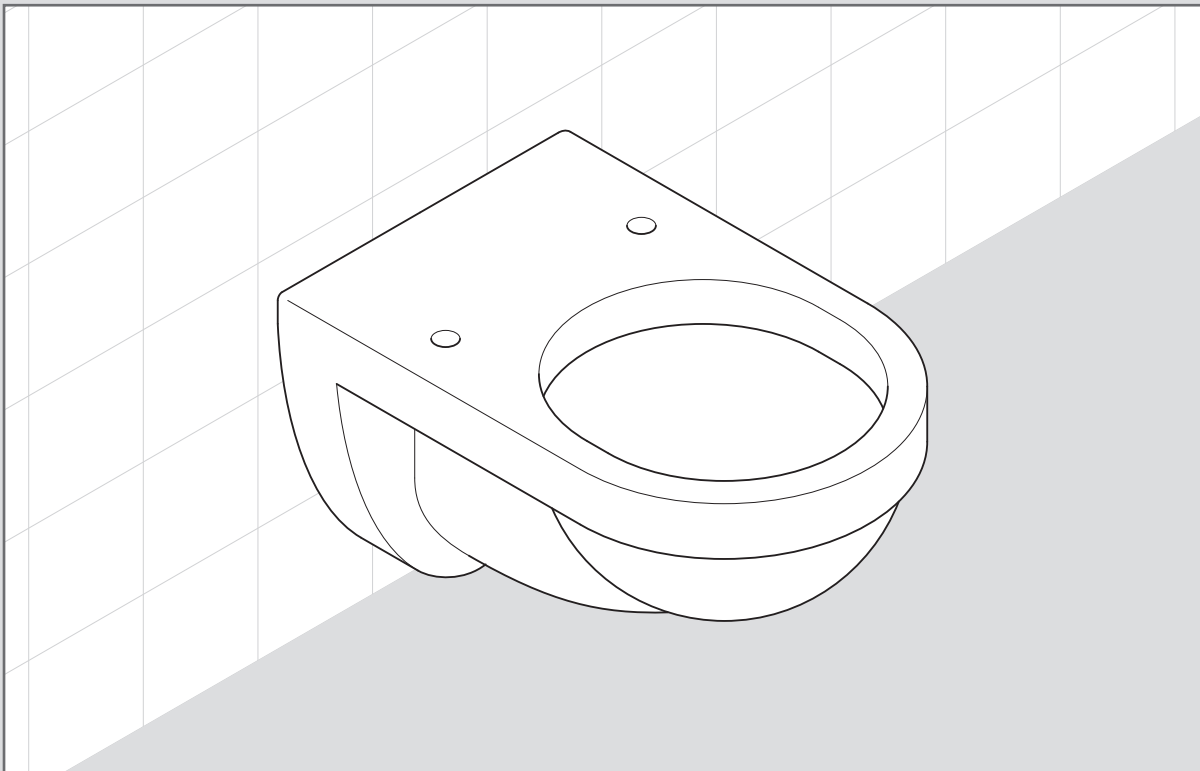


# General Instruction

General  
Instruction

Villeroy & Boch



**DE** Montageanleitung  
WC, Standardbefestigung

**EN** Installation Instructions  
WC, standard fixation

**FR** Instructions de montage  
WC, fixation standard

**IT** Istruzioni di montaggio  
WC, fissaggio standard

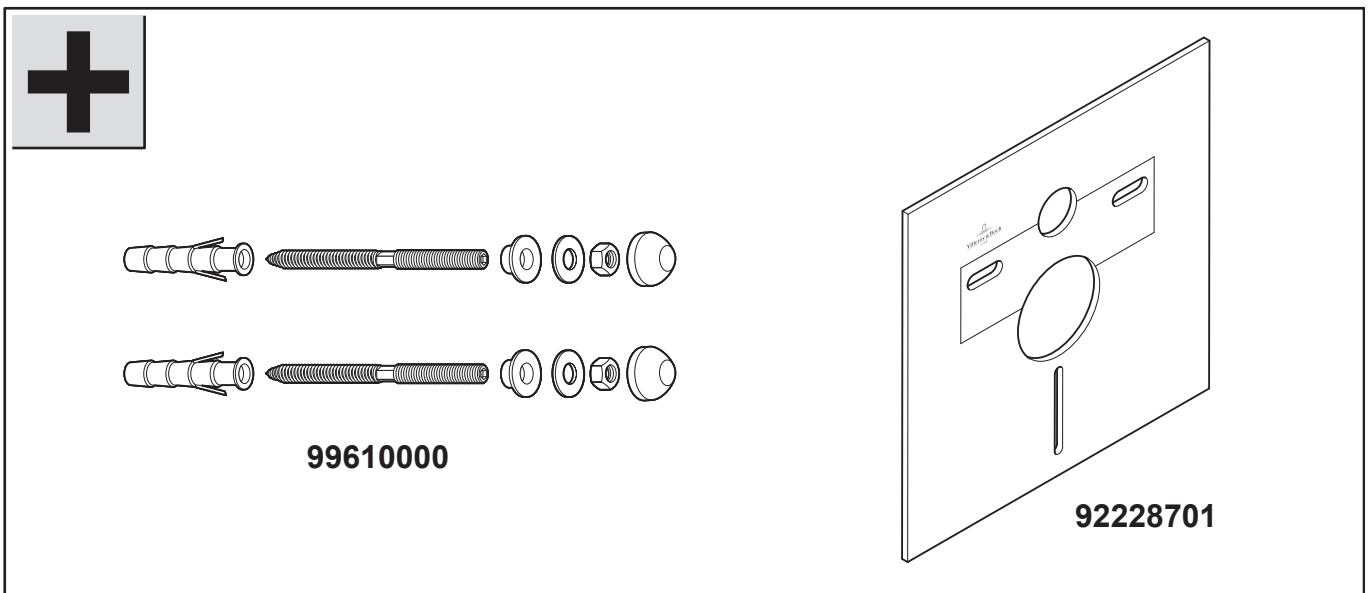
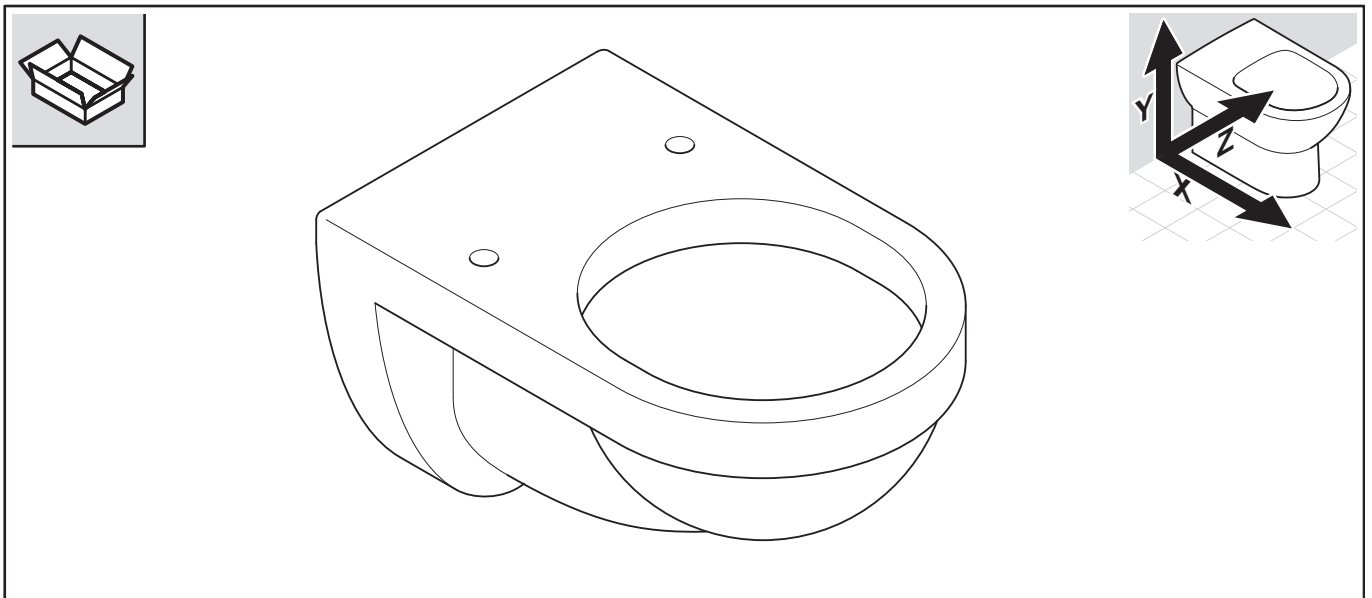
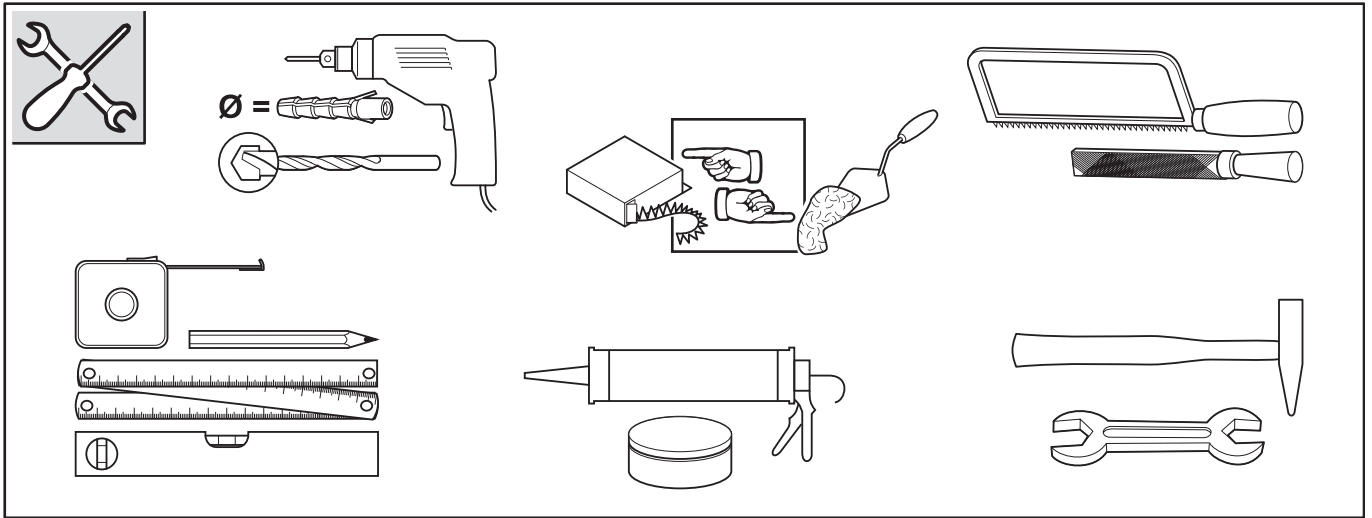
**ES** Instrucciones de montaje  
Inodoro, fijación estándar

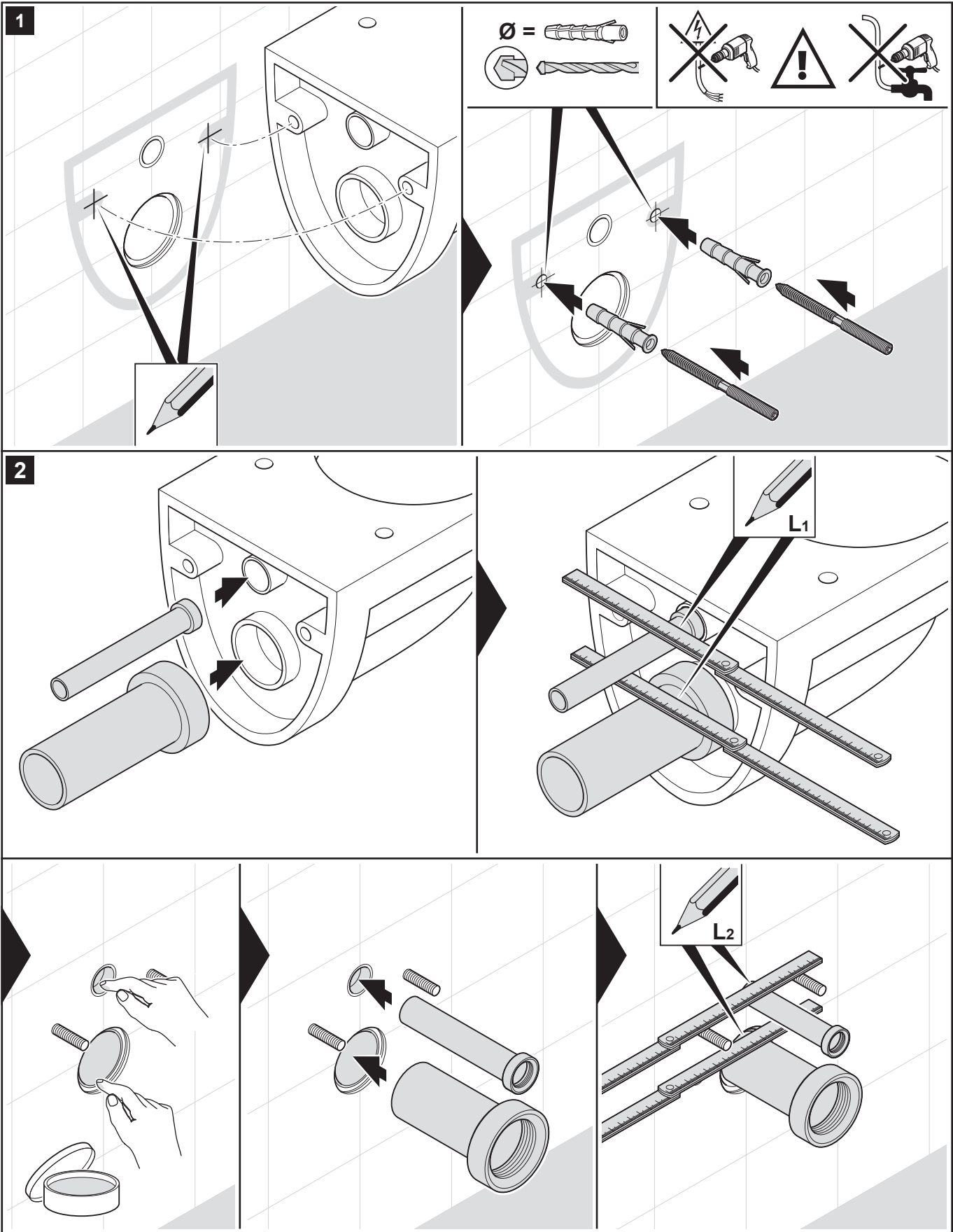
**NL** Montage-instructie  
WC, standaard bevestiging

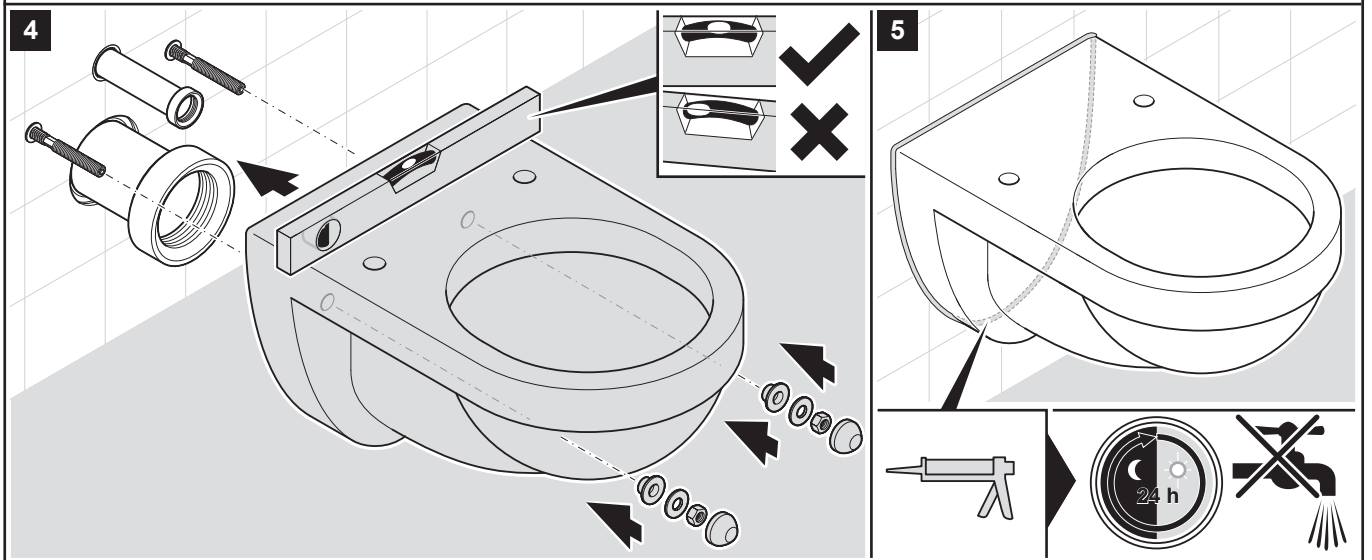
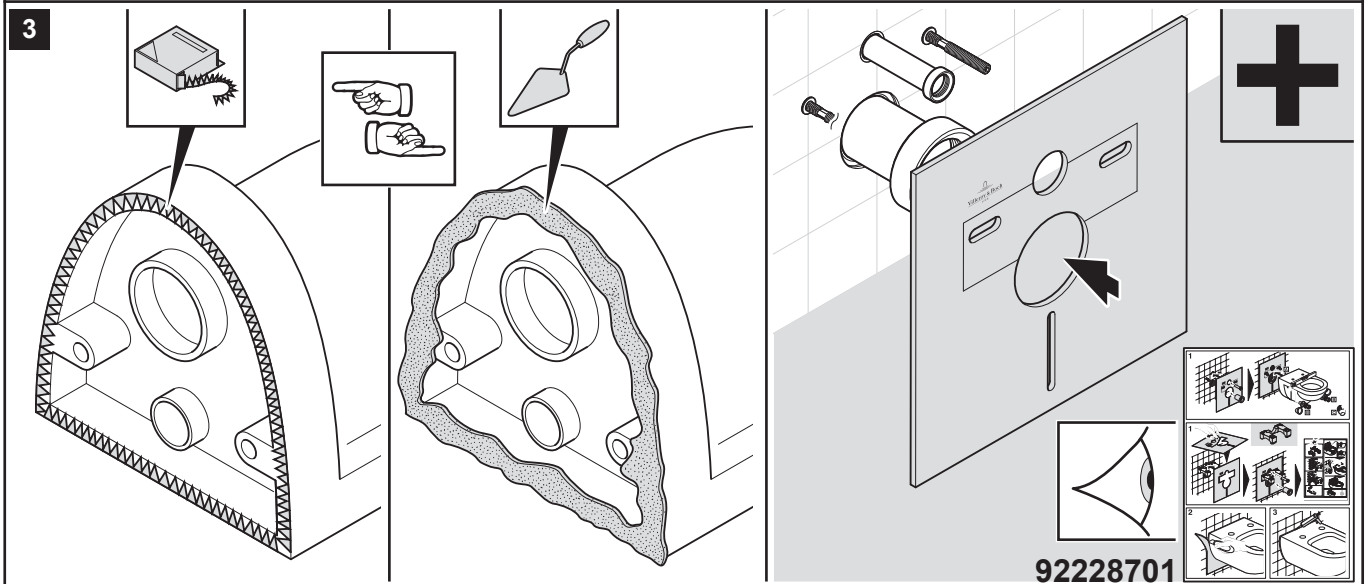
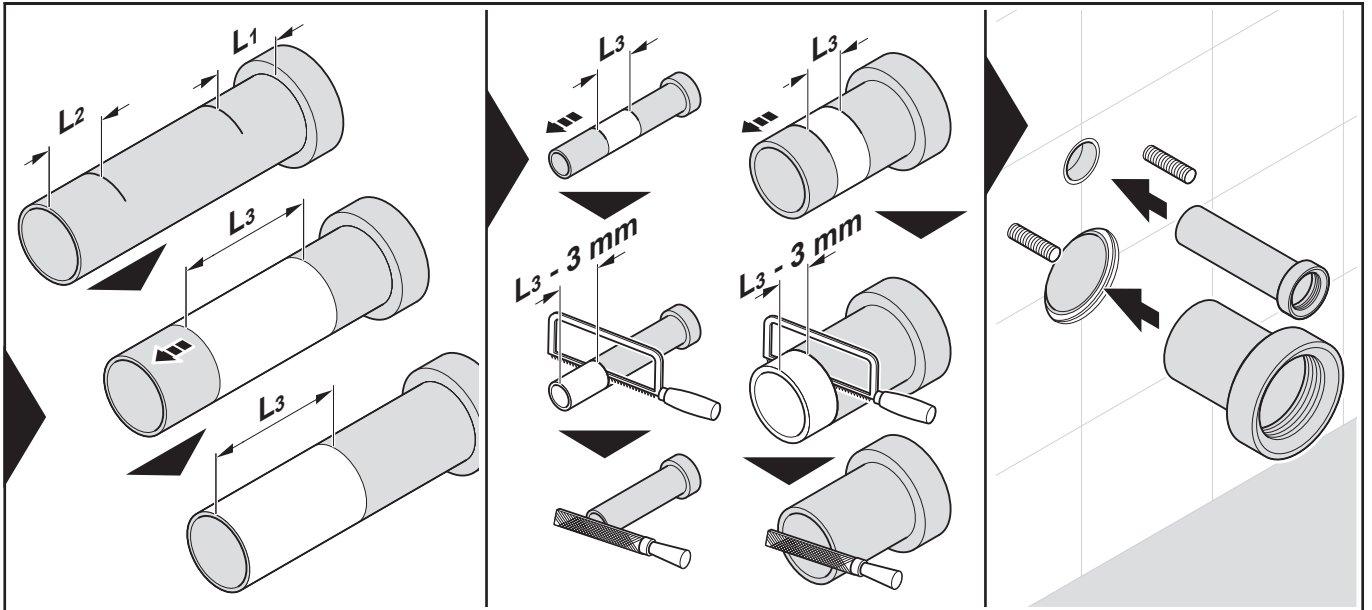
**ZH** 装配说明  
马桶，标准安装

**RU** Инструкция по монтажу  
Унитаз, стандартное крепление

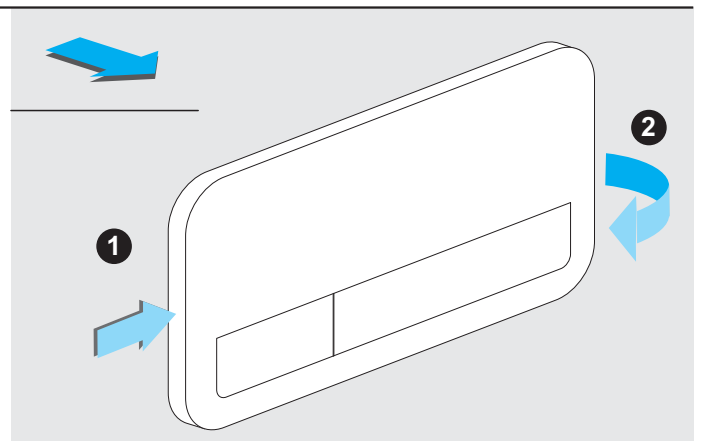
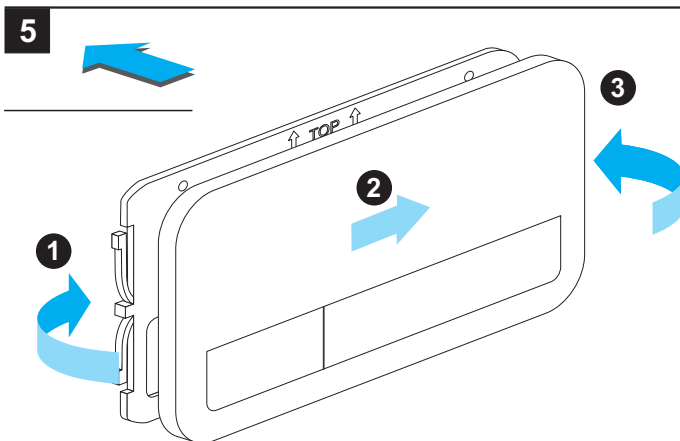
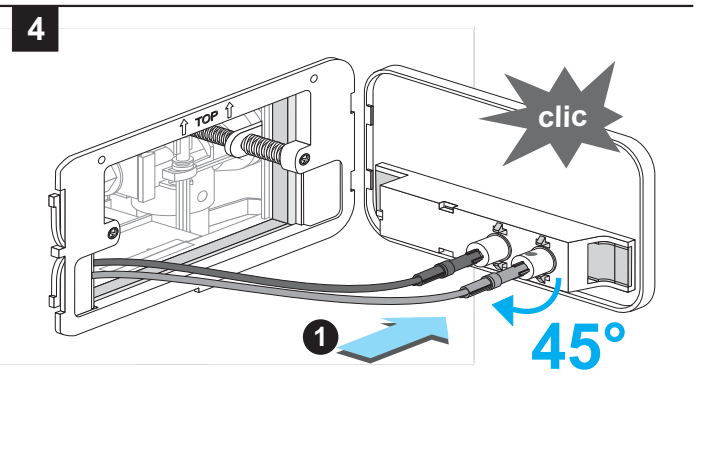
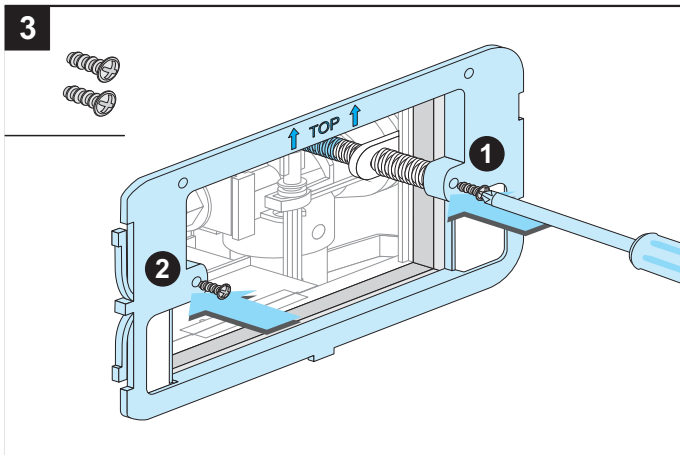
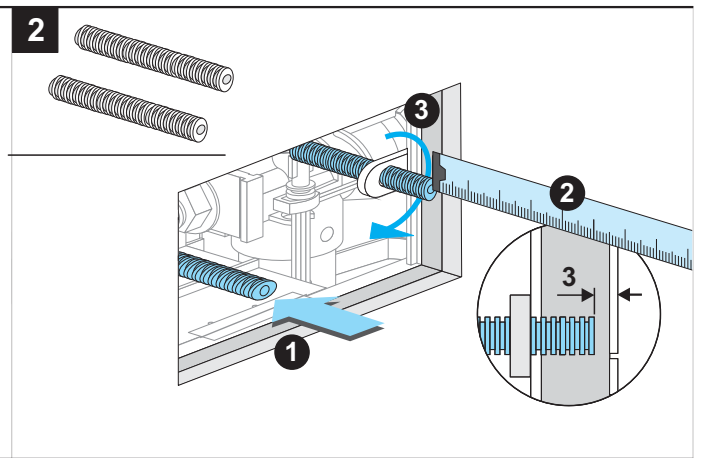
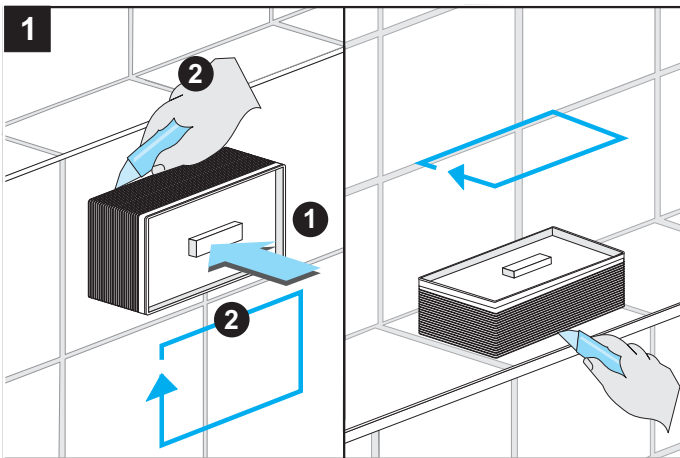
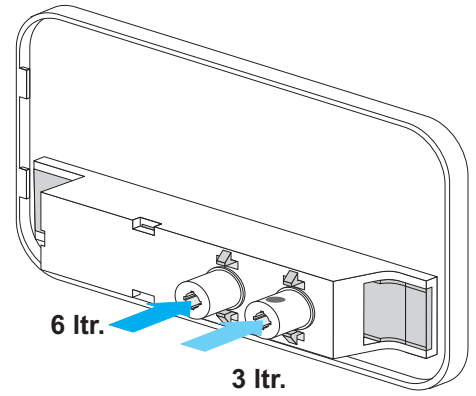
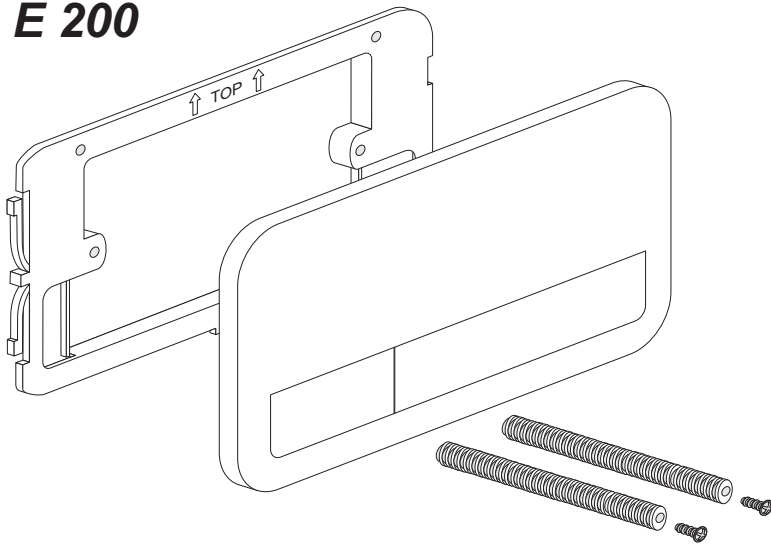


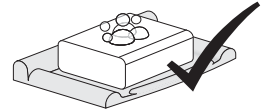
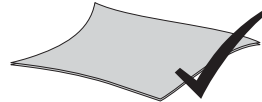
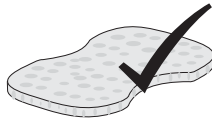
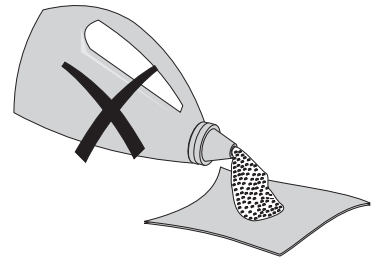
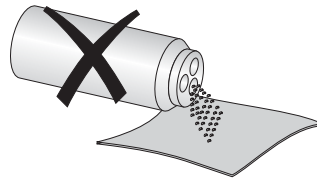
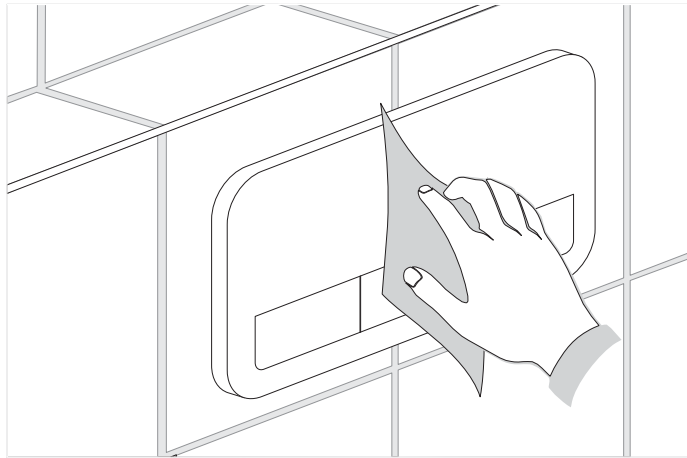
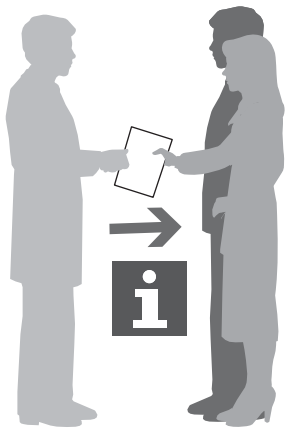
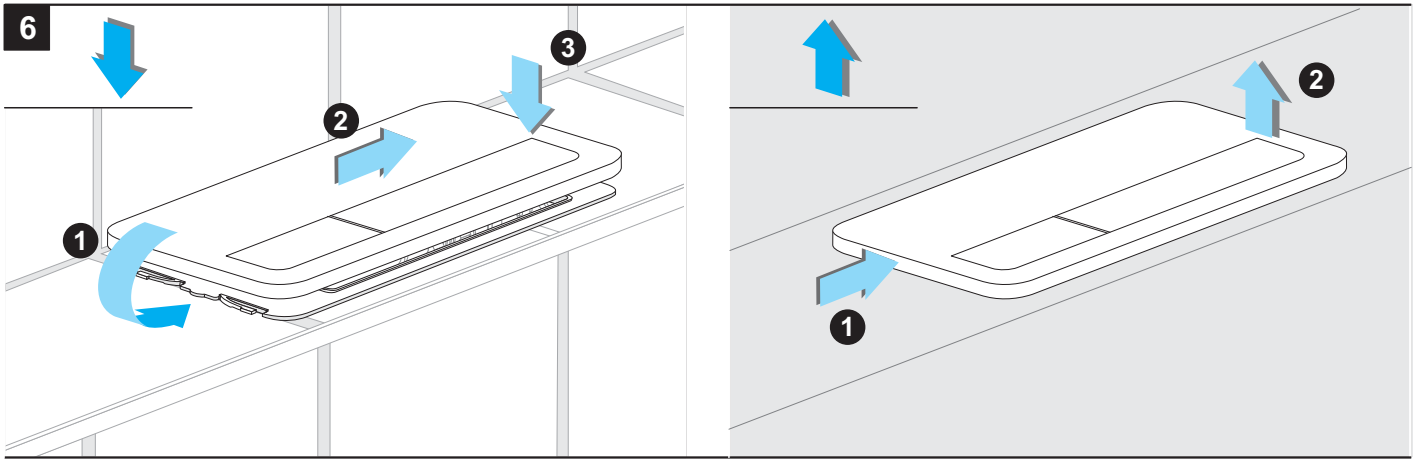


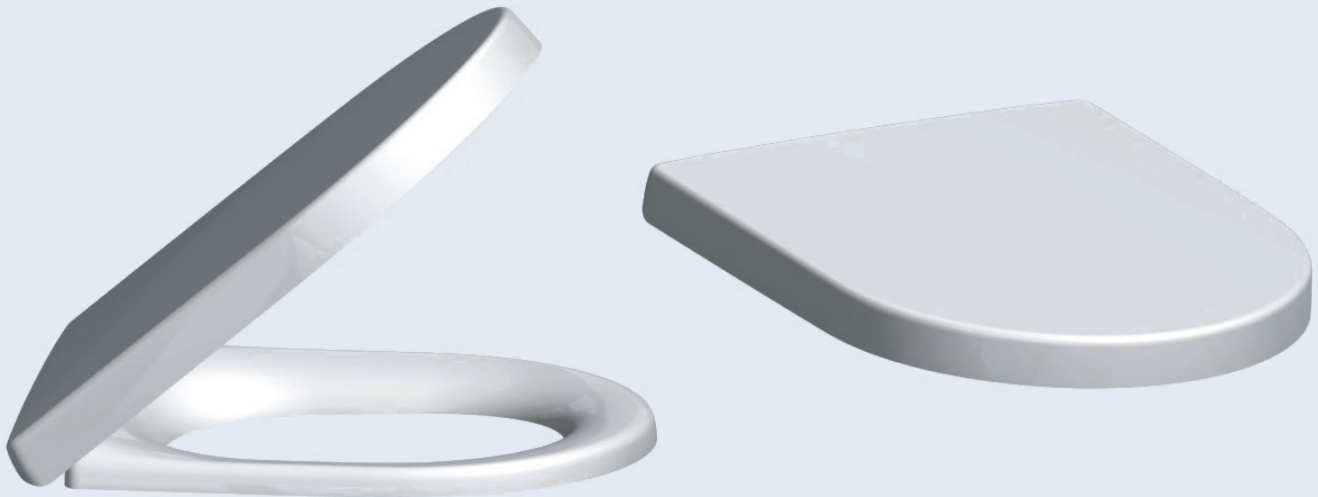




# E 200







## Toilet seat Omnia Architectura

**Model** — 98M9C1 Omnia Architectura toilet seat with Soft Closing and Quick Release, incl. 9224 17 61 hinge

**Product Description** — Omnia Architectura toilet seat in Wrap Over design made of colour ingrained duroplast

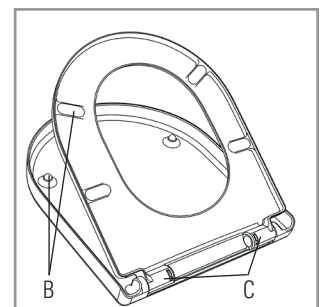
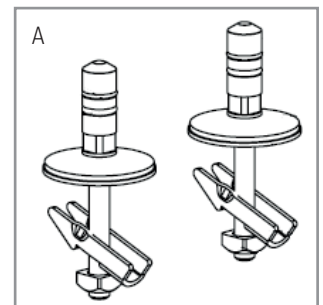
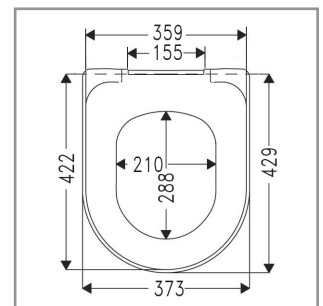
- incl. hinge with Quick Release in stainless steel and nylon
- centre distance: 155 mm
- load of ring seat: 250 kg
- 10 years guarantee

**Colour Programme** — 01 White  
09 Pergamon

**Hinge Finish** — 61 Stainless steel

**Spare Parts** — A) 9224 17 61 Hinge with Quick Release in stainless steel and nylon  
B) 9224 22 01 Buffer for seat and cover  
C) 9224 24 00 Soft Closing packet

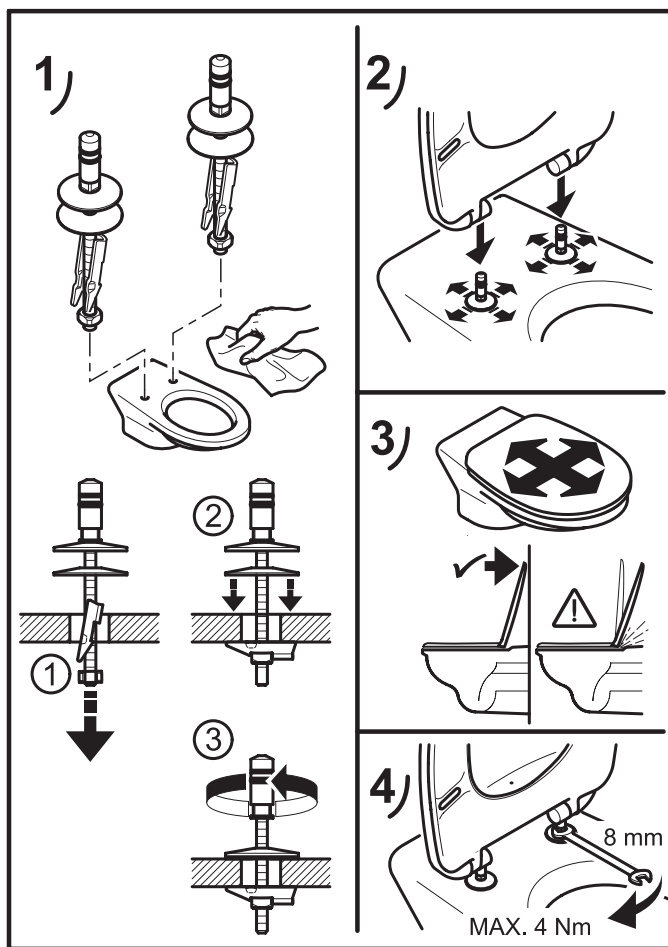
**Cleaning Instructions** — Use a mild soap solution. Seat and hinges should not be left damp, but be dried with a soft cloth. When using abrasive, corrosive or chlorine based cleaners for the bowl, avoid contact with seat and hinges as it may lead to damages or flash rust. Therefore, when cleaning the bowl, make sure that seat and cover are in an upright position until all the cleaner has been flushed away.



Villeroy & Boch

1748

## Installation Instructions



## Material Description

**TOILET SEAT:** The material is colour ingrained duroplast (UF A 10 = urea formaldehyde) that contains no environmentally hazardous substances. UF plastic comprises 67% urea formaldehyde resin, 28% cellulose, as well as 5% minerals, pigments, lubricants and moisture content. The raw material from the supplier contains < 0.03% free formaldehyde and even less following curing.

**BUFFERS:** PE (Polyethylene)

**DAMPER KIT:** Hydraulic damper with stainless steel damper casing and plastic parts

**DAMPER LIQUID:** Anti-friction liquid

**HINGES:** Stainless steel and nylon

## Guarantee

The guarantee includes faults or defects in the material of our products within a period of 10 years. Products subject to minor technical modifications and design deviations E. & O.E.