

# Inspection Certificate

Bulletin de contrôle • Certyfikat kontrolny

Art. Nr. FR28-2525-6

## Please keep safely!

A bien conserver, s.v.p.! • Przechowywać w bezpiecznym miejscu!

**English:** The product you have purchased was manufactured in accordance with the high quality norms. The product unit has been carefully inspected and packed. In order to avoid possible problems during the assembly carried out by yourself or the building company of your choice, we recommend that you inspect the delivery for its completeness in accordance with the list of pieces before assembly. This inspection must be carried out within 14 days after delivery to your place. Warranty claims are limited to the exchange of defective materials. Defective product parts, which have already been used or painted, are excluded from being replaced. All further claims are excluded! In cases of complaints, please pay attention to the following procedures: Please present this inspection certificate along with the sales receipt to your place of purchase. Only in cases where these documents are presented will the complaint be dealt with quickly and without complications.

**Français:** Le produit que vous venez d'acheter a été fabriqué en respectant de hautes normes de qualité. Ce produit a été testé et emballé avec soin. Afin d'éviter des problèmes éventuels pendant la construction par vous-même ou par la société de construction mandatée, nous vous prions de bien vouloir vérifier que toutes les pièces ont été fournies selon la liste des pièces avant que vous ne commenciez la construction. Il vous incombe de faire ce contrôle dans les 14 jours après la fourniture. Les revendications en dédommagement se limitent à l'échange de matériel défectueux. Les pièces défectueuses, déjà construites ou peintes, ne font pas l'objet de l'échange. Toutes les revendications ultérieures ne sont pas prises en compte ! En cas d'une réclamation, veuillez respecter le déroulement suivant : il vous faudra présenter à votre commerçant agréé ce bulletin de contrôle avec le récépissé de l'achat. Ce ne sera que moyennant présentation de ces documents qu'un traitement rapide et sans problème de votre réclamation sera possible!

**Polski:** Produkt, który Państwo zakupili, wykonano według najwyższych norm jakości. Elementy konstrukcyjne przed zapakowaniem przeszły dokładną kontrolę jakości. Aby uniknąć problemów podczas samodzielnego montażu, bądź montażu zleconego firmie budowlanej, przed montażem zalecamy sprawdzenie zawartości przesyłki zgodnie z listą części zamieszczonych w zestawie. Kontroli kompletności zestawu należy dokonać w ciągu 14 dni od dostarczenia przesyłki. Reklamacje objęte gwarancją ograniczają się do wymiany wadliwych elementów. Wadliwe elementy, które zostały użyte lub pomalowane nie będą podlegały wymianie ani dalszym reklamacjom. W przypadku potrzeby zgłoszenia reklamacji, prosimy przestrzegać poniższych procedur: prosimy przedłożyć Certyfikat kontrolny wraz z paragonem zakupu i adresem dostawy. Reklamacje będą rozpatrywane wyłącznie po dostarczeniu powyższych dokumentów.

**Factory inspection by** • Contrôle à partir de l'usine par •  
Kontrola fabryczna do

.....

**Pack number** • Pack Nr. • Numer opakowania

.....

**Date** • Data • Datum

.....



# Installation manual

Notice de montage • Instrukcja instalacji

## Log cabin FR28-2525-6

Maisonnette en poutres • Dom z bali

Width 250 x Depth 250 cm

Largeur/Profondeur • Szerokość/Głębokość

Log thickness 28 mm

Épaisseur des murs • Grubość ścian



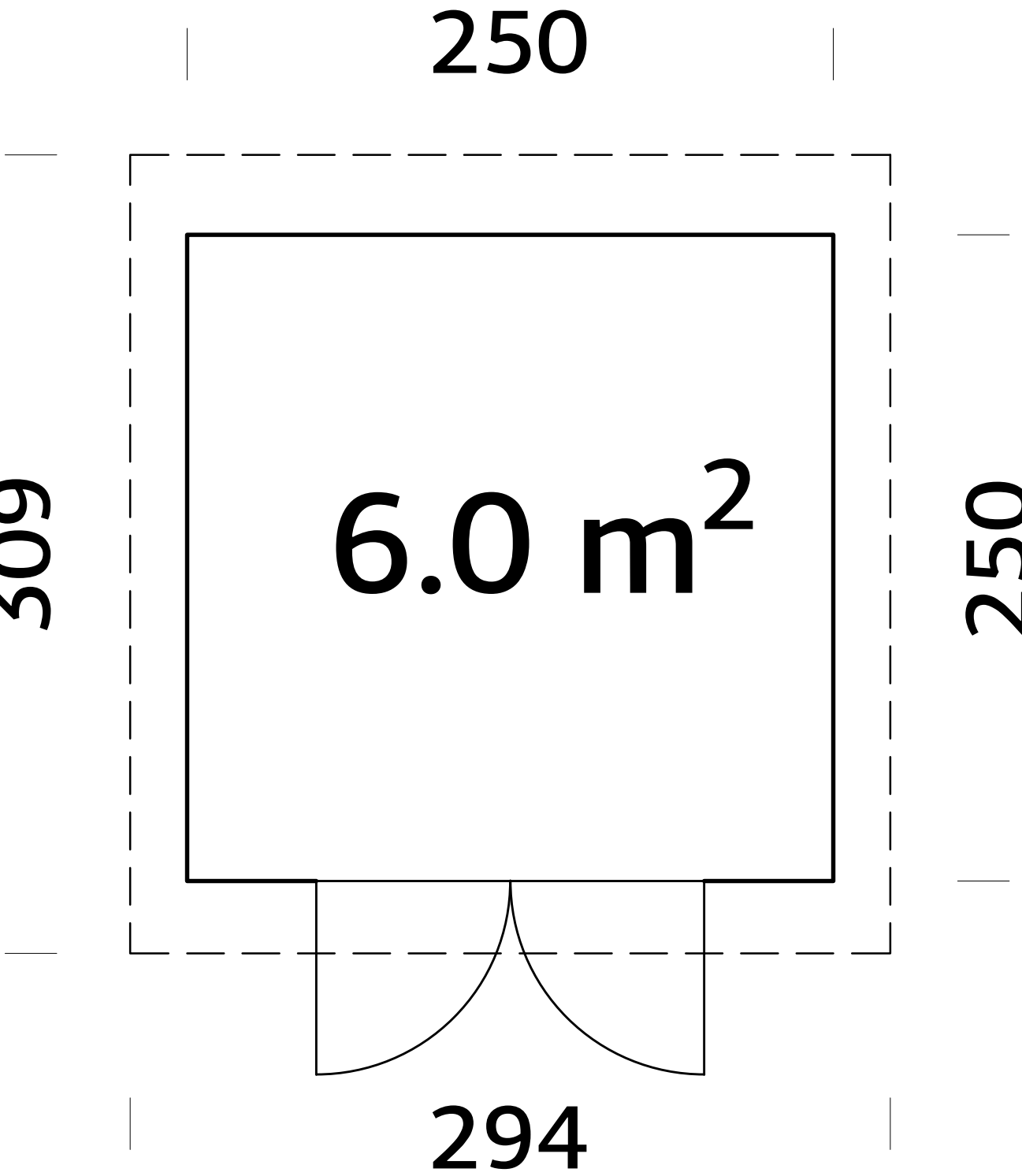
250









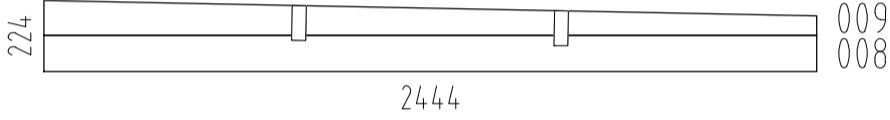
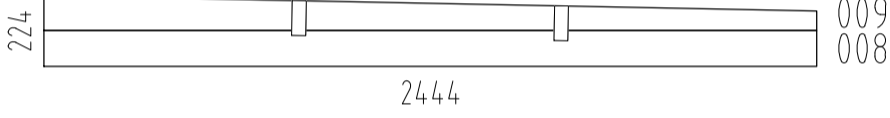














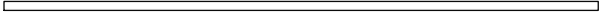
309

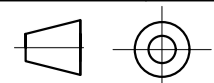
250

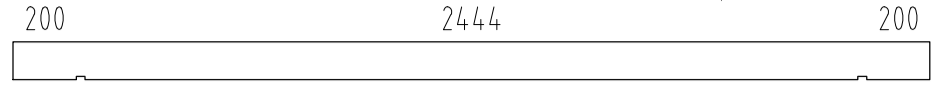
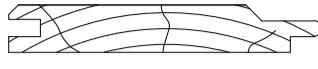
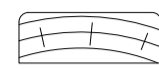

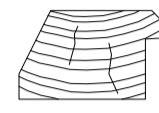
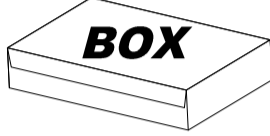
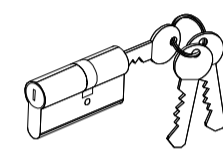
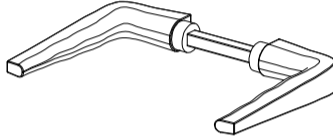
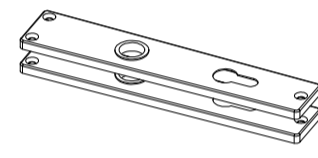
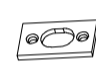
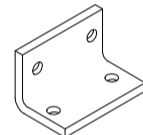
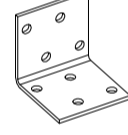





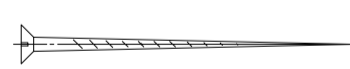
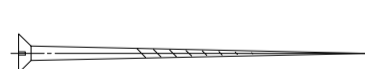


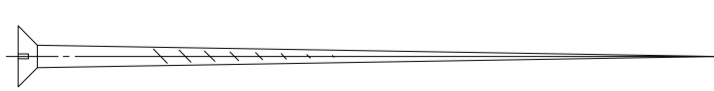
6.0 m<sup>2</sup>

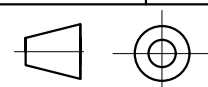
294



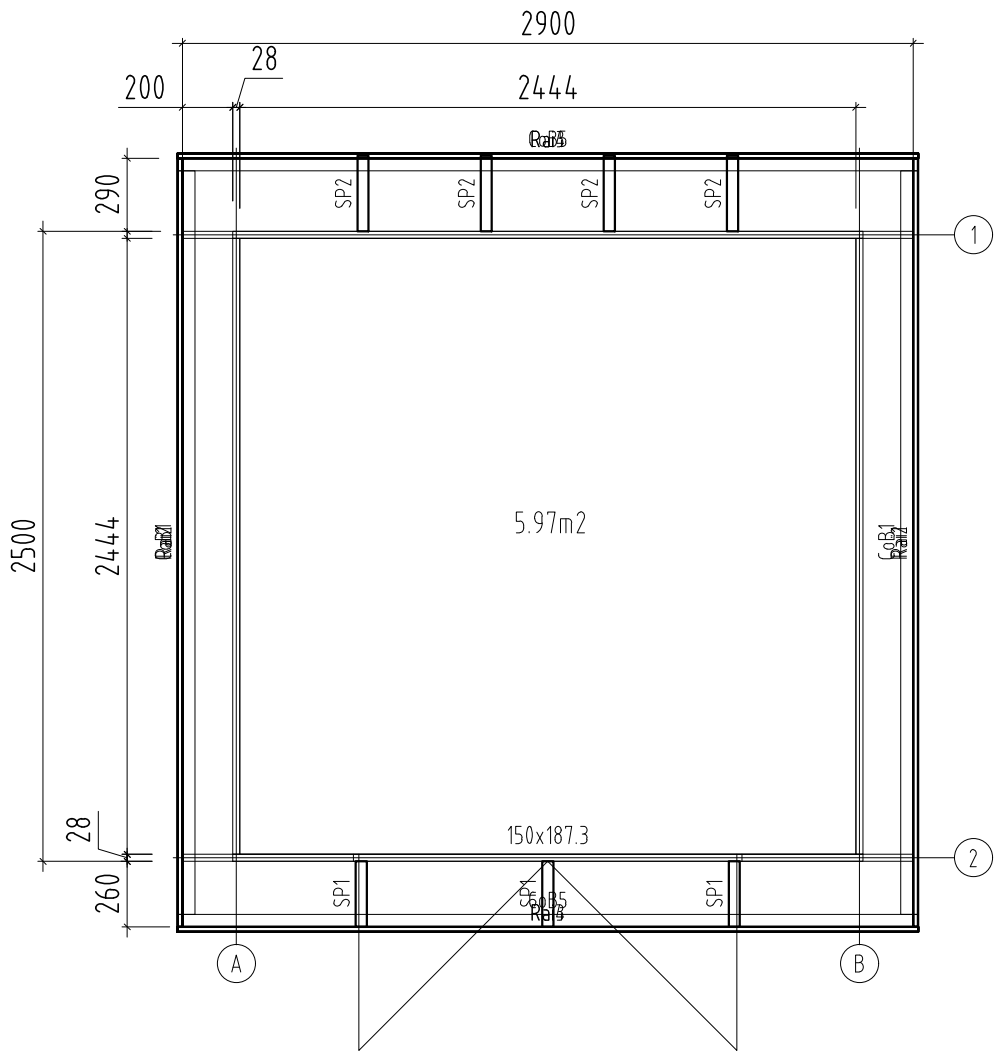
Pos	SPECIFICATION-STÜCKLISTE-NOMENCLATURE-ELEMENTI-ESPECIFICACIÓN T04942	Pcs	Profile (mm)	Length (mm)
001		1	28x57	2500
002		18	28x114	2500
003	□ 	1	28x114	2900
004		2	28x57	479
005		32	28x114	479
006		1	28x114	2900
007	□ 	1	28x55	2900
008		34	28x114	2444
WA-1		1		
WB-1		1		
CoB4	Covering board- Deckbrett- Madrier de couverture- Tavola di copertura- Listón de cubierta 	2	95x16	2160
CoB2	Covering board- Deckbrett- Madrier de couverture- Tavola di copertura- Listón de cubierta 	2	95x16	2110
CoB3	Covering board- Deckbrett- Madrier de couverture- Tavola di copertura- Listón de cubierta 	4	95x16	1995
CoB1	Covering board- Deckbrett- Madrier de couverture- Tavola di copertura- Listón de cubierta 	2	70x19	2950
CoB5	Covering board- Deckbrett- Madrier de couverture- Tavola di copertura- Listón de cubierta 	2	70x19	2940
Pst2	Post- Pfosten- Poteau- Montante- Poste 	2	45x45	2150
Pst1	Post- Pfosten- Poteau- Montante- Poste 	2	45x45	2100
Rai2	Railing board- Geländer- Barre de rambarde- Tavola di ringhiera- Tabla de barandilla 	2	19x114	3050
Rai4	Railing board- Geländer- Barre de rambarde- Tavola di ringhiera- Tabla de barandilla 	2	19x114	2940
Rai1	Railing board- Geländer- Barre de rambarde- Tavola di ringhiera- Tabla de barandilla 	2	19x105	3050
Rai3	Railing board- Geländer- Barre de rambarde- Tavola di ringhiera- Tabla de barandilla 	2	19x105	2940
SP1	Support brace- Stützleiste- Baguette de support- Listello di supporto- Listón de soporte 	3	44x195	260
SP2	Support brace- Stützleiste- Baguette de support- Listello di supporto- Listón de soporte 	4	44x120	300
SP3	Support brace- Stützleiste- Baguette de support- Listello di supporto- Listón de soporte 	4	32x40	218
TP1	Tender post- Tenderleiste- T-poste- Rinforzo- Refuerzo 	2	19x28	1880



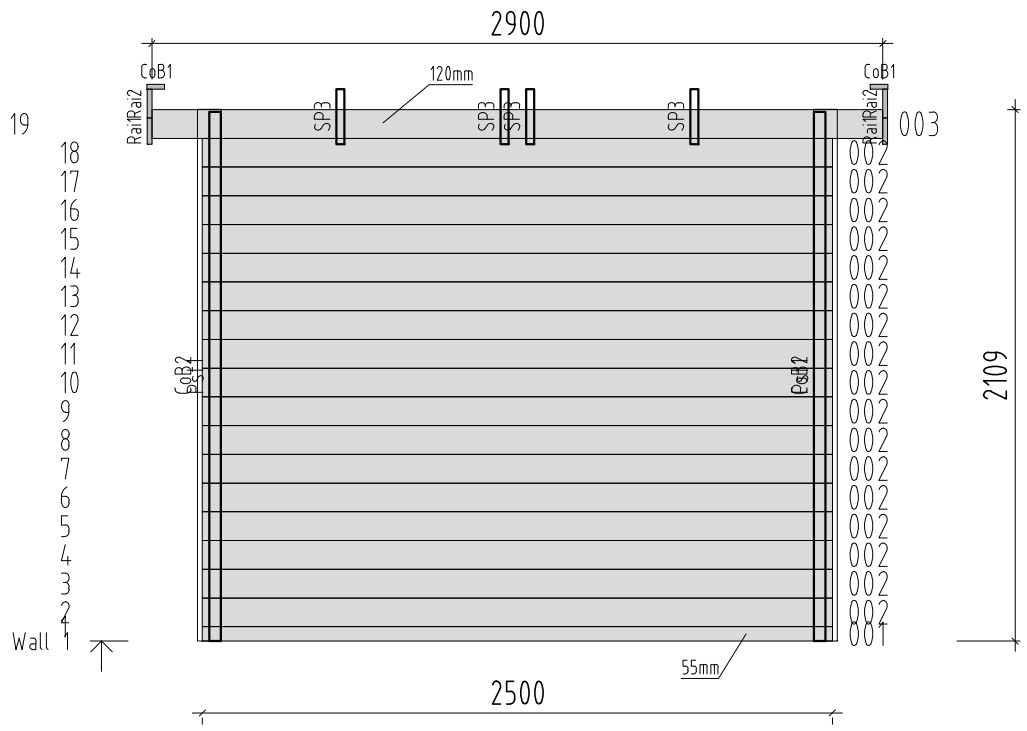
Pos	SPECIFICATION-STÜCKLISTE-NOMENCLATURE-ELEMENTI-ESPECIFICACIÓN T04942	Pcs	Profile (mm)	Length (mm)
PR1	Purlin- Dachpfette- Arbalétrier- Arcareccio- Correa 	2	44x120	2900
RB1-1	Roof board- Dachbrett- Madrier du toit- Tavola tetto- Tabla de tejado 	33	89x16	2840
RE1-1	Roof edge reinforcement- Dachrandleiste- Baguette en bordure du toit- Rinforzo bordo tetto- Refuerzo borde tejado 16x45 	2	16x45	1450
YSBS-1	Roof felt- Dachpappe- Carton bitume- Cartone catramato- Fieltro de tejado- YSBS 	4		3100
SiS5-1	Side slat - Randleiste - Baguette en bordure - Listello bordo 5 	2	28x45	1576
Fim	-Fixing kit- Befestigungsset- Moyens de fixation- Materiale di fissaggio- Kit de fijación 	1		
QULSI 30x35	Cylinder- Zylinderschloss- Serrure a mortaiser- Serratura a cilindro- Bombin- 30.35 	1		
QLIUHb	Door fittings- Türbeschlag- Ferrure- Ferramenta porta- Manilla puerta- QLIUHb 	1		
QULKAK	Door fittings- Türbeschlag- Ferrure- Ferramenta porta- Manilla puerta- QULKAK 	1		
QRV1 20Zn	Keeper- Schliessblech- Tole- Lamiera- Aldaba de candado- 120Zn 	1		
QNU20 x20x40	L-iron- Winkel- Angle -Angolo- Angulo 20x20x40 	16		
QNU40x 40x40Zn	L-iron- Winkel- Angle -Angolo- Angulo 40x40x40 	4		
QNA2 2x50Zn	Nail- Nagel- Clou- Chiodo- Clavo- 2.5x50mm 	150		
QKRPP2 _5x16Zn	Screw- Schraube- Vis- Vite- Tornillo- 2.5x16mm Zn 	2		
QKRPP3 _5x25Zn	Screw- Schraube- Vis- Vite- Tornillo- 3.5x25mm Zn 	100		
QKRPP3 _5x40Zn	Screw- Schraube- Vis- Vite- Tornillo- 3.5x40mm 	80		
QKRPP 3x30Zn	Screw- Schraube- Vis- Vite- Tornillo- 3x30mm 	10		
QKRPP4 _5x50Zn	Screw- Schraube- Vis- Vite- Tornillo- 4.5x50mm 	180		
QKRPP4 _5x60Zn	Screw- Schraube- Vis- Vite- Tornillo- 4.5x60mm 	320		
QKRPP4 _5x70Zn	Screw- Schraube- Vis- Vite- Tornillo- 4.5x70mm 	20		
QKRPP 5x90Zn	Screw- Schraube- Vis- Vite- Tornillo- 5x90mm 	20		
QKRPP6 x120Zn	Screw- Schraube- Vis- Vite- Tornillo- 6x120mm 	8		

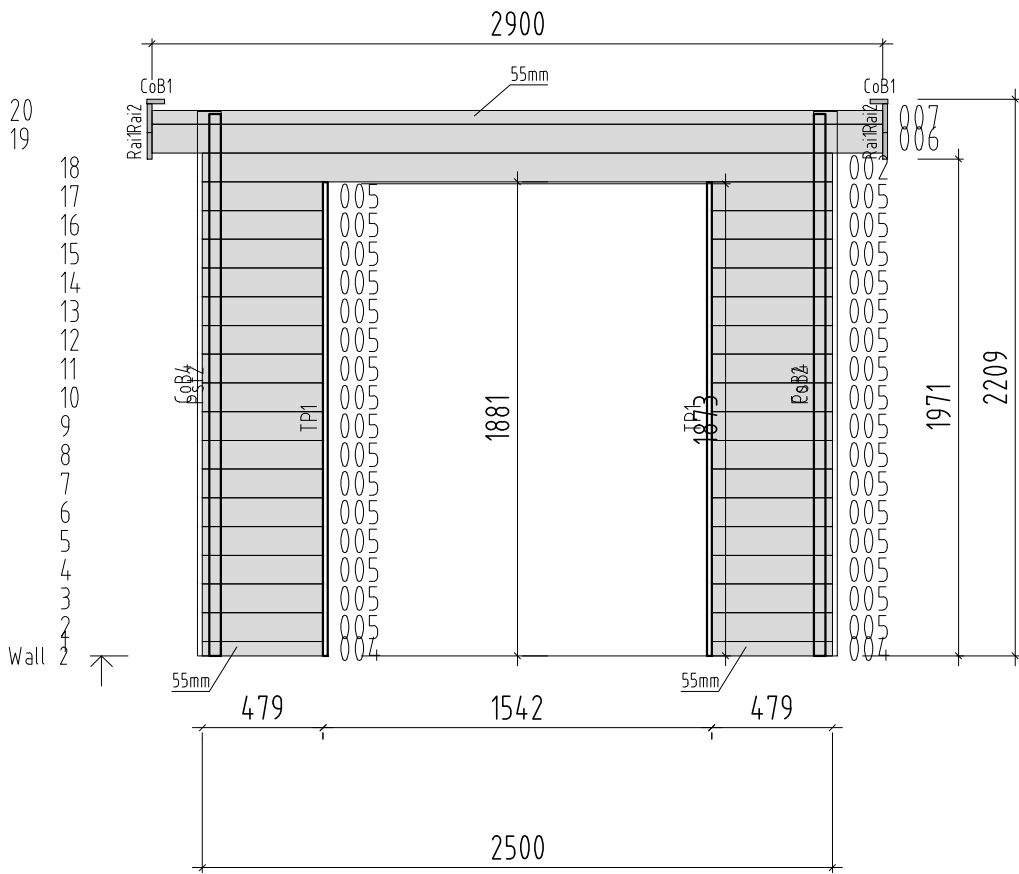


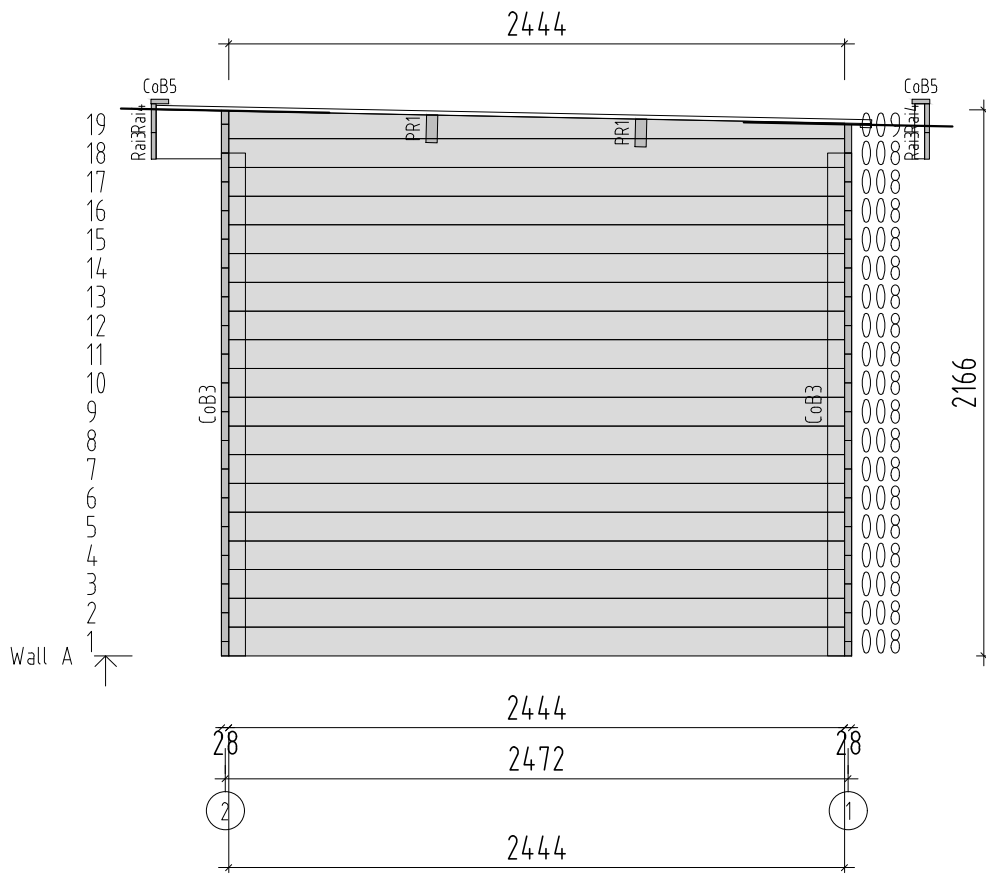


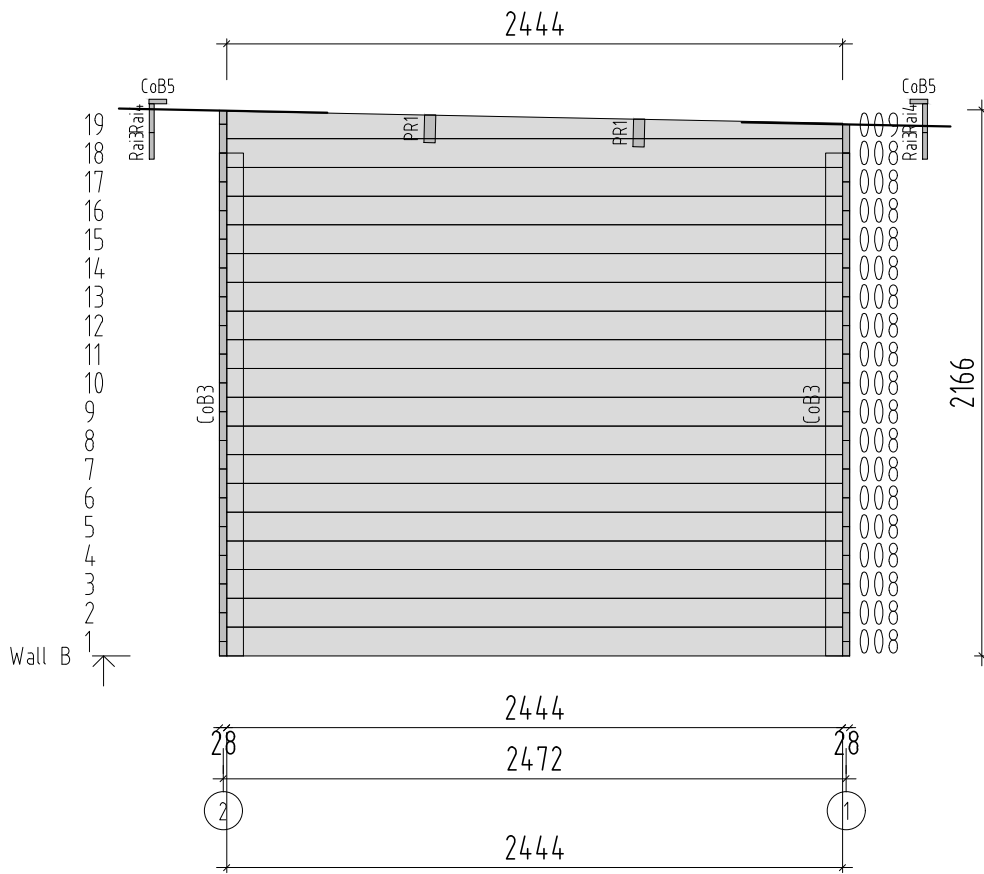


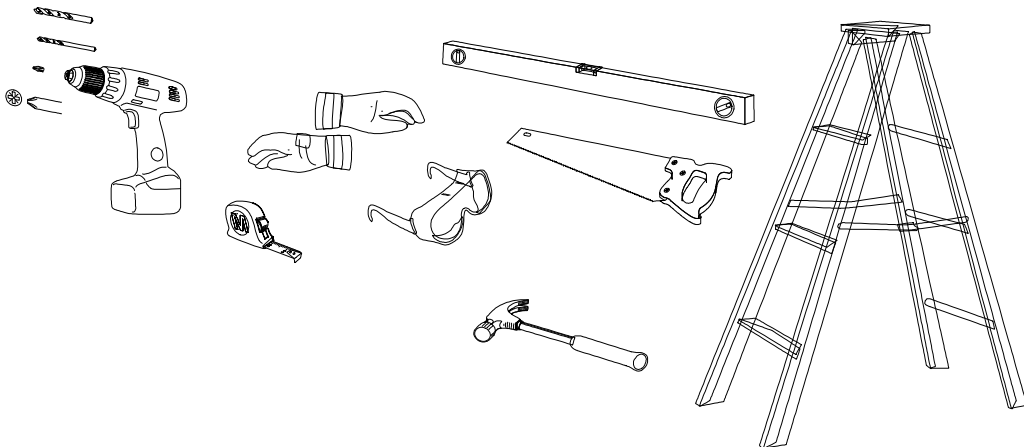
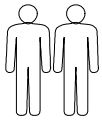
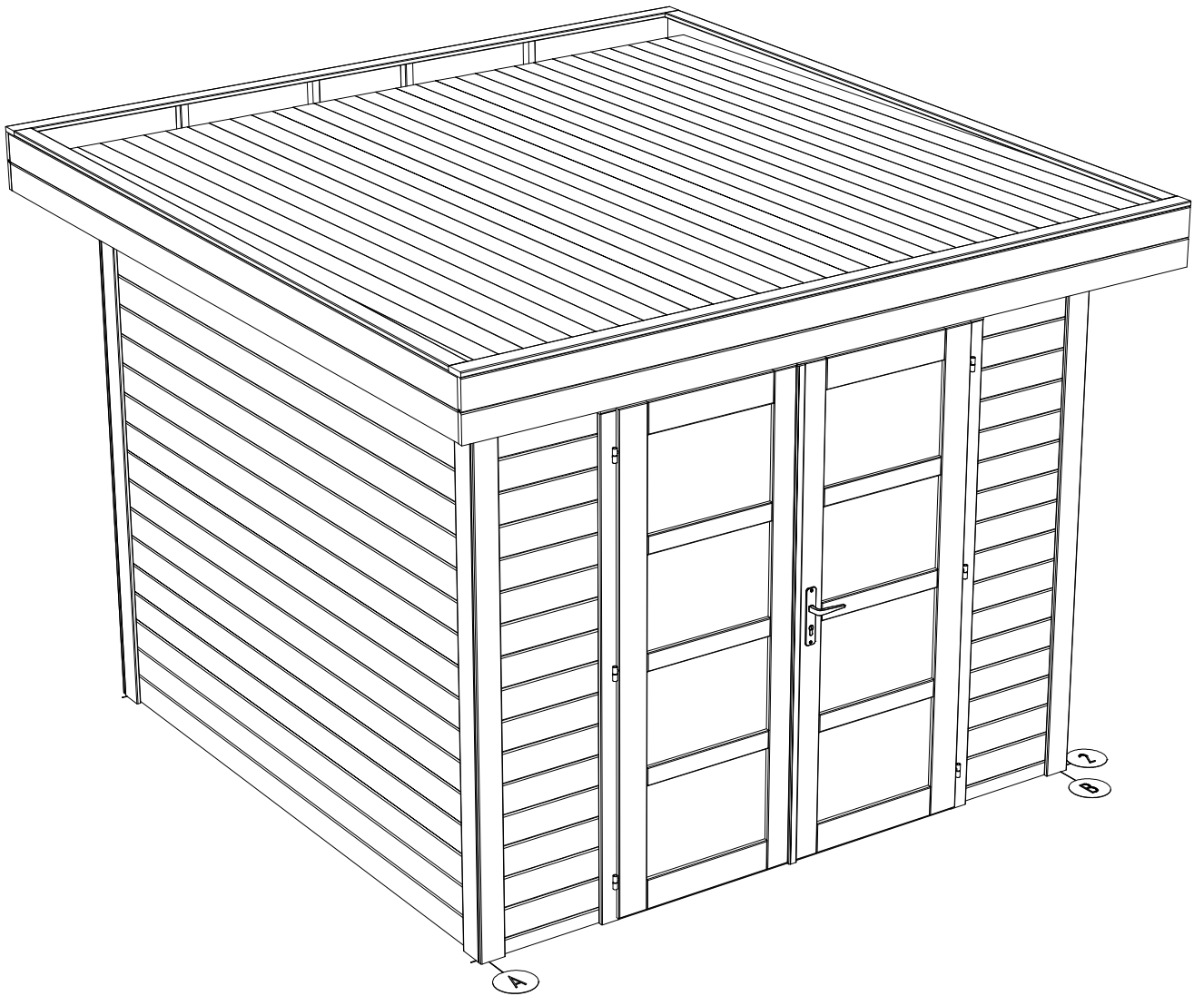




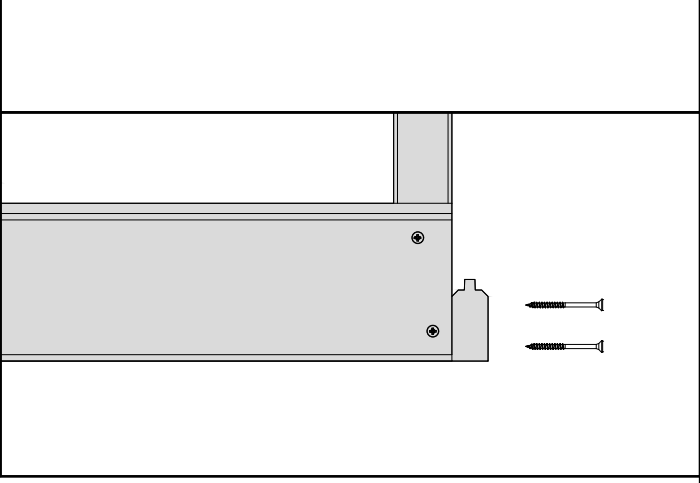
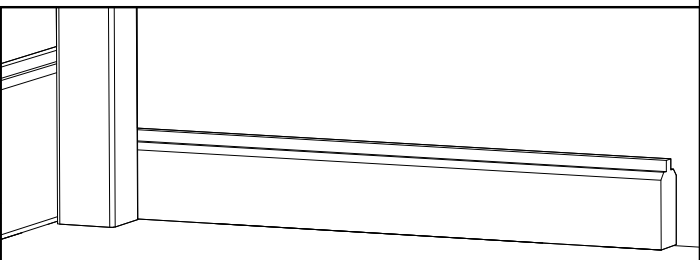
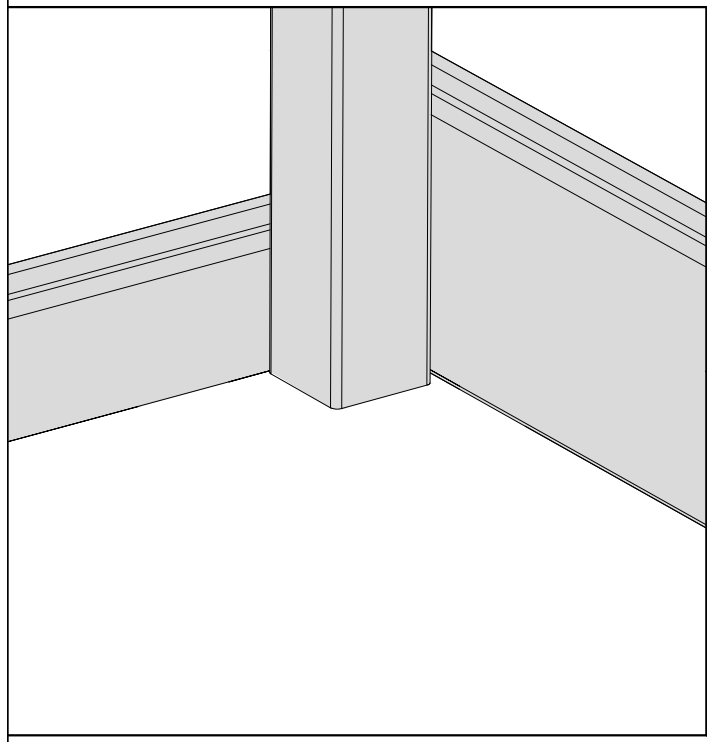
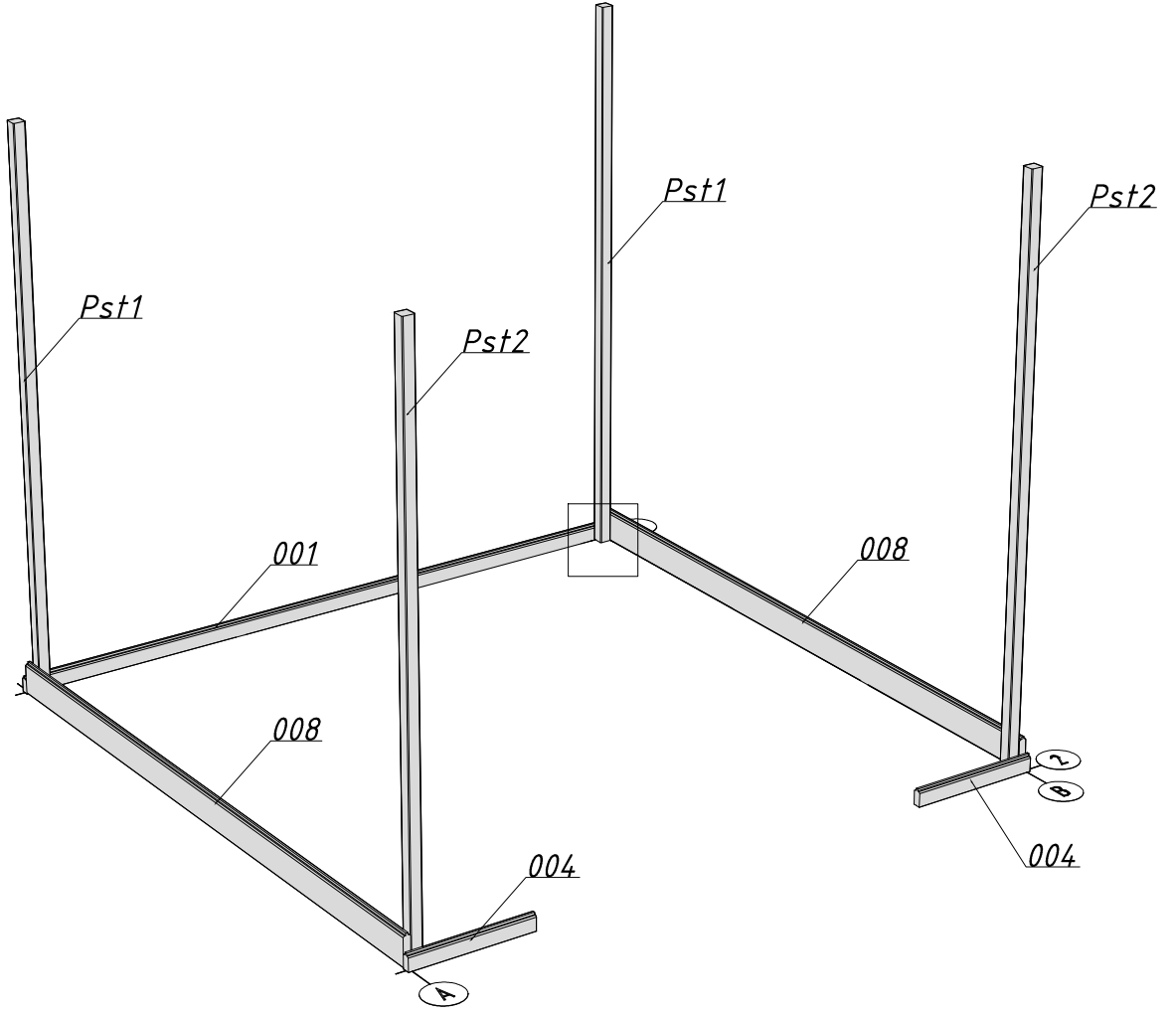
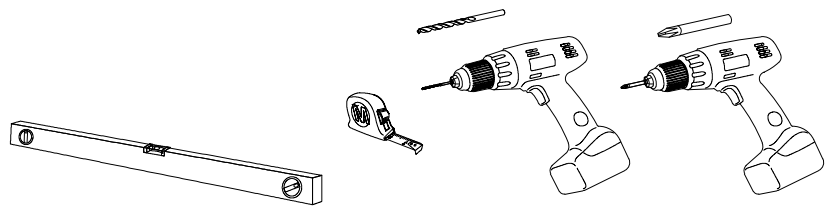




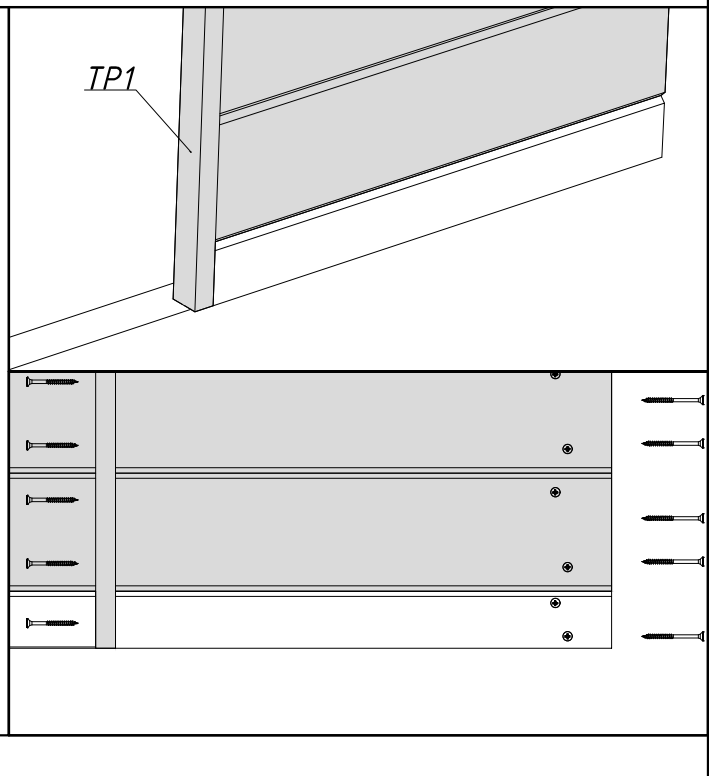
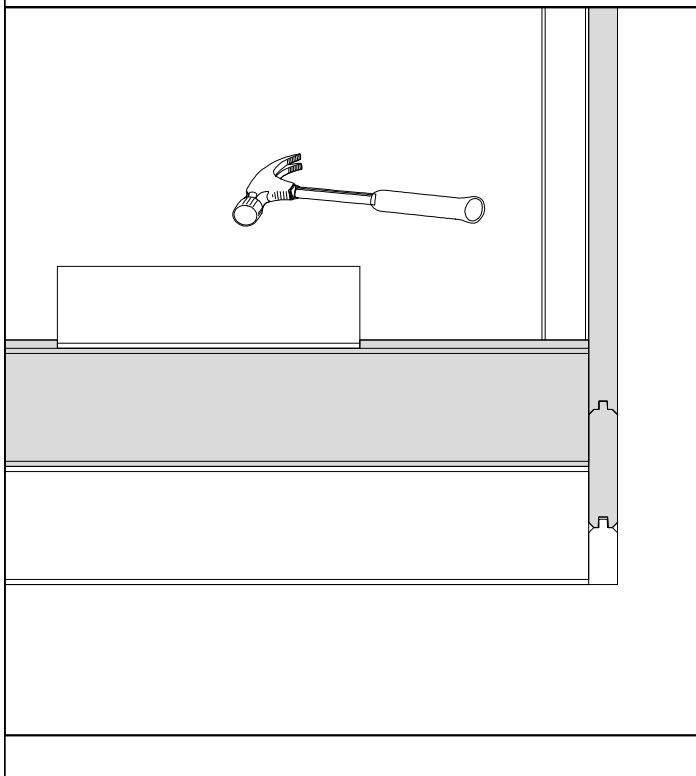
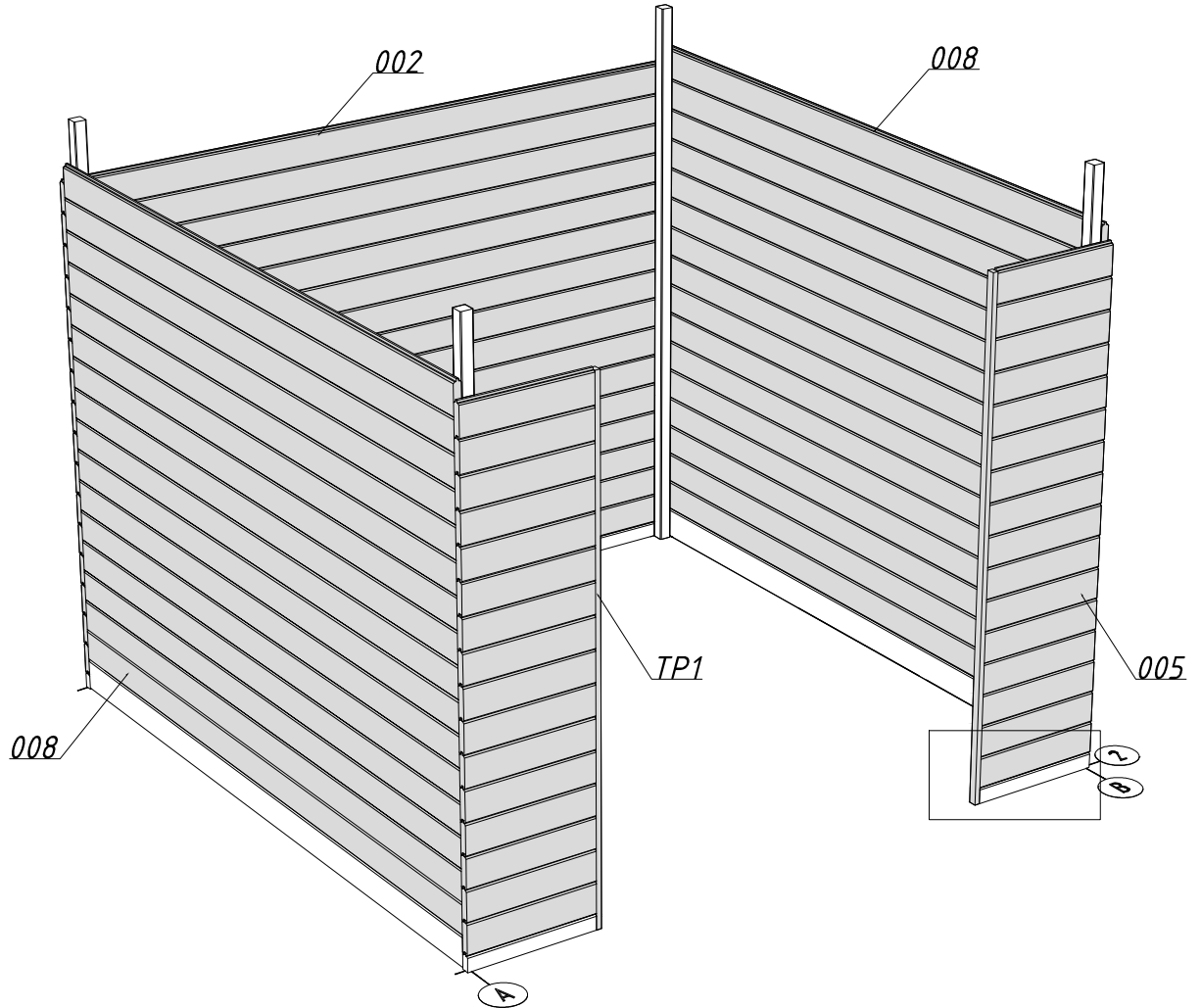
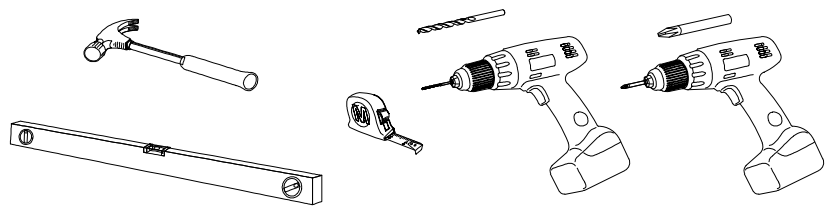




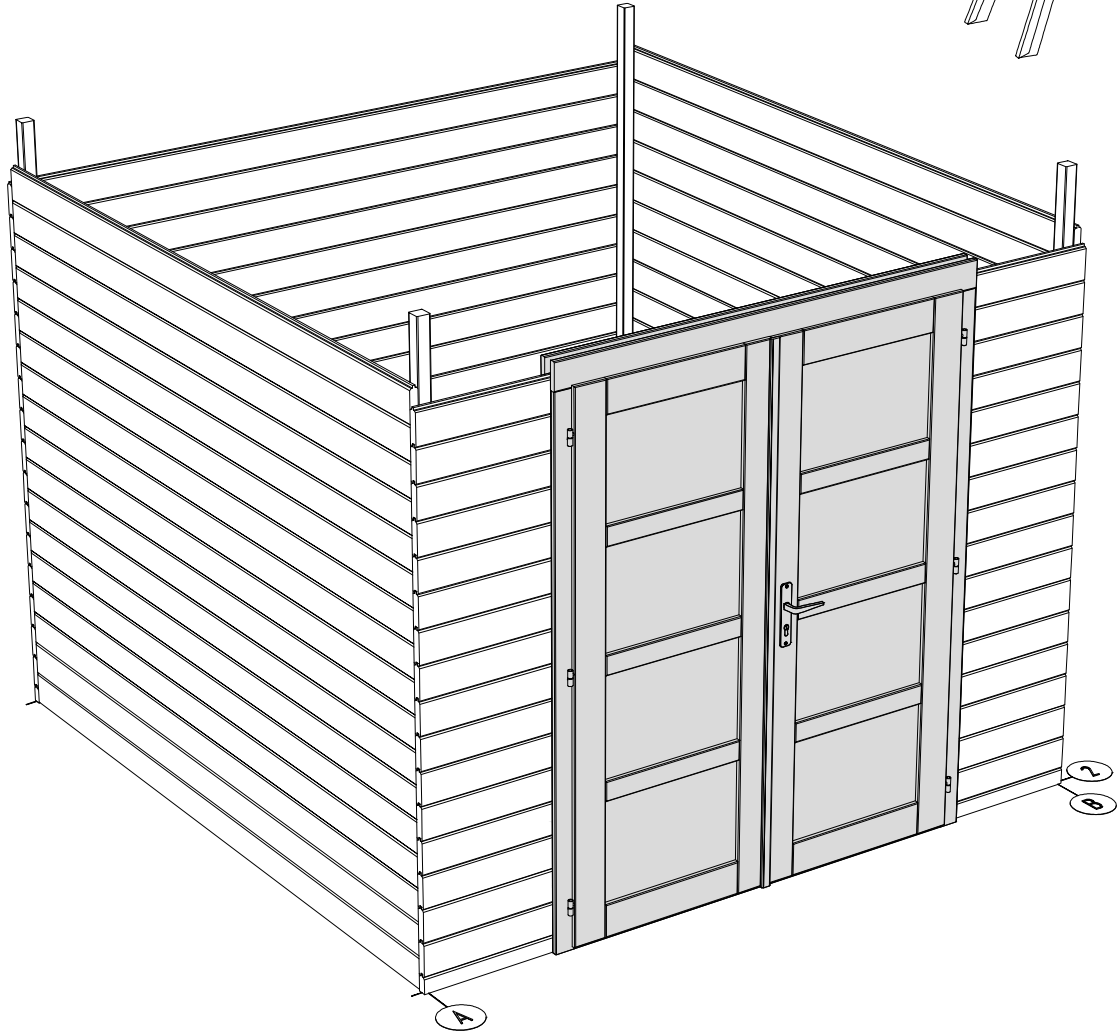
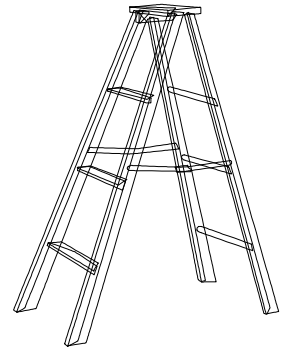
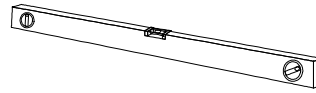
- Pst1*      2      pcs
- Pst2*      2      pcs
- 001        1      pcs
- 004        2      pcs
- 008        2      pcs
- 3,5x25     64     pcs
- 4,5x60     16     pcs



- TP1 2 pcs
- 002 16 pcs
- 005 32 pcs
- 008 32 pcs
- 4,5x50 34 pcs (TP1)
- 4,5x60 256 pcs

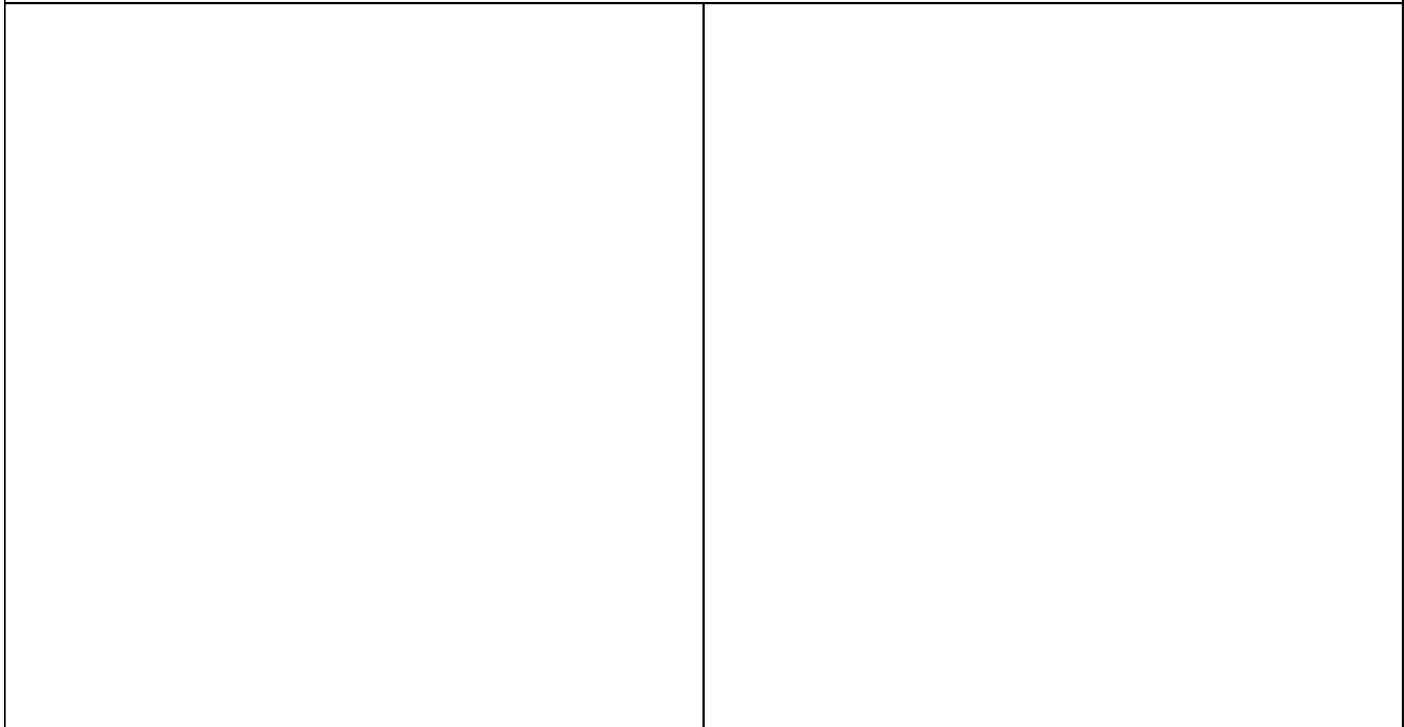
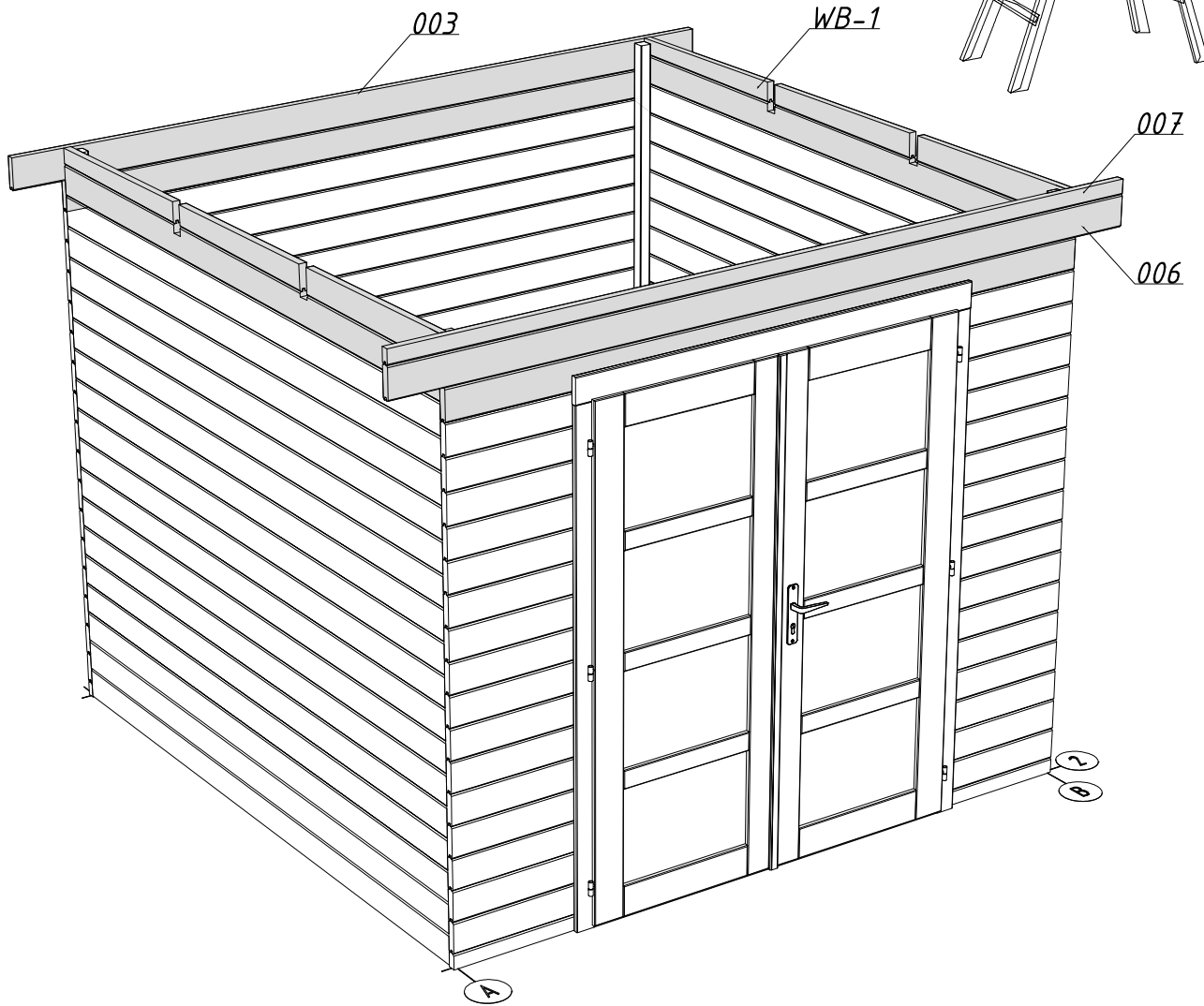
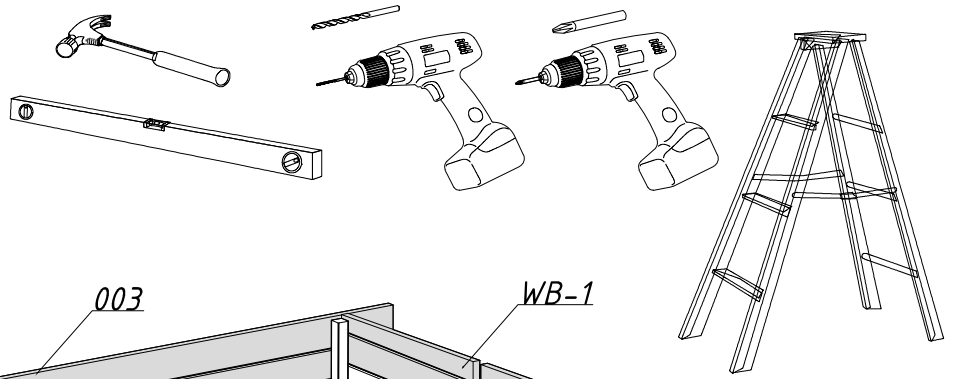


TU28-41P 1 pcs



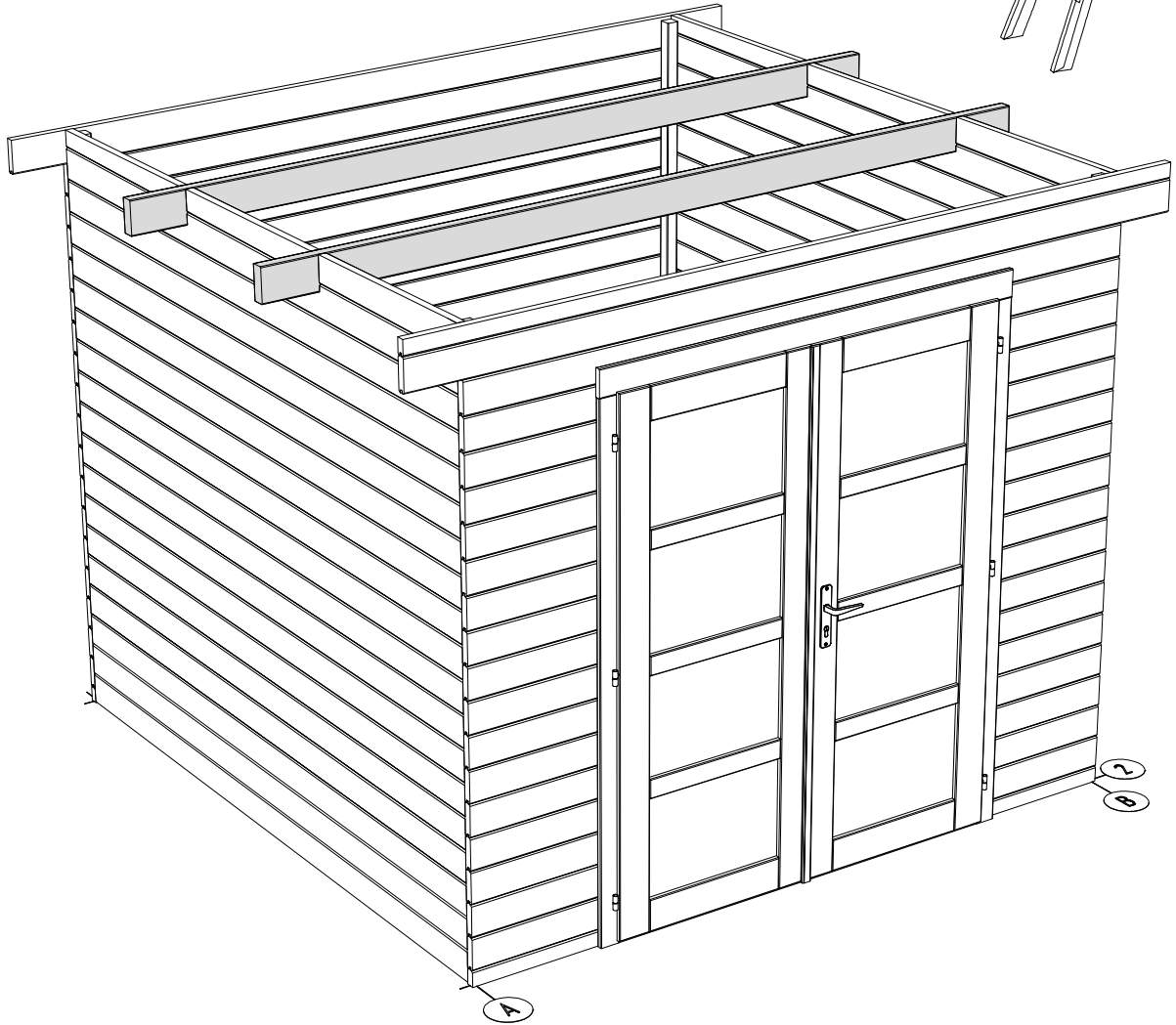
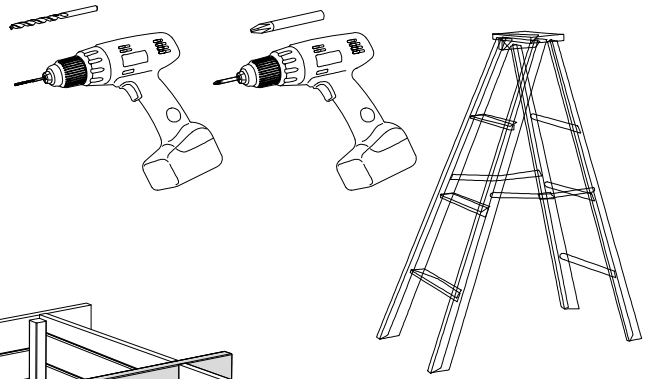


- WA-1 1 pcs
- WB-1 1 pcs
- 002 2 pcs
- 003 1 pcs
- 006 1 pcs
- 007 1 pcs
- 4,5x60 36 pcs

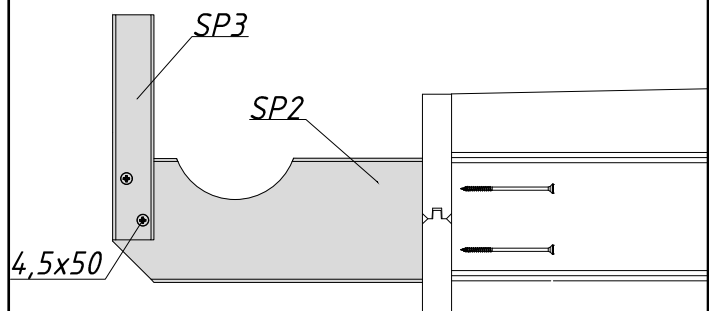
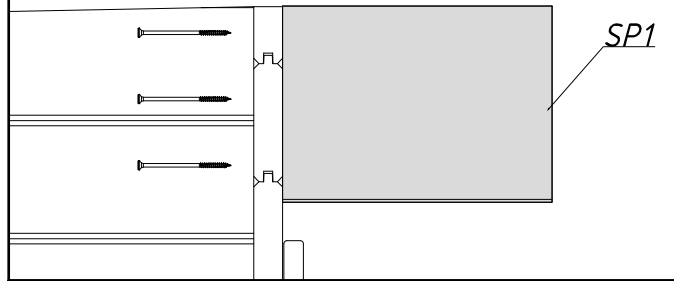
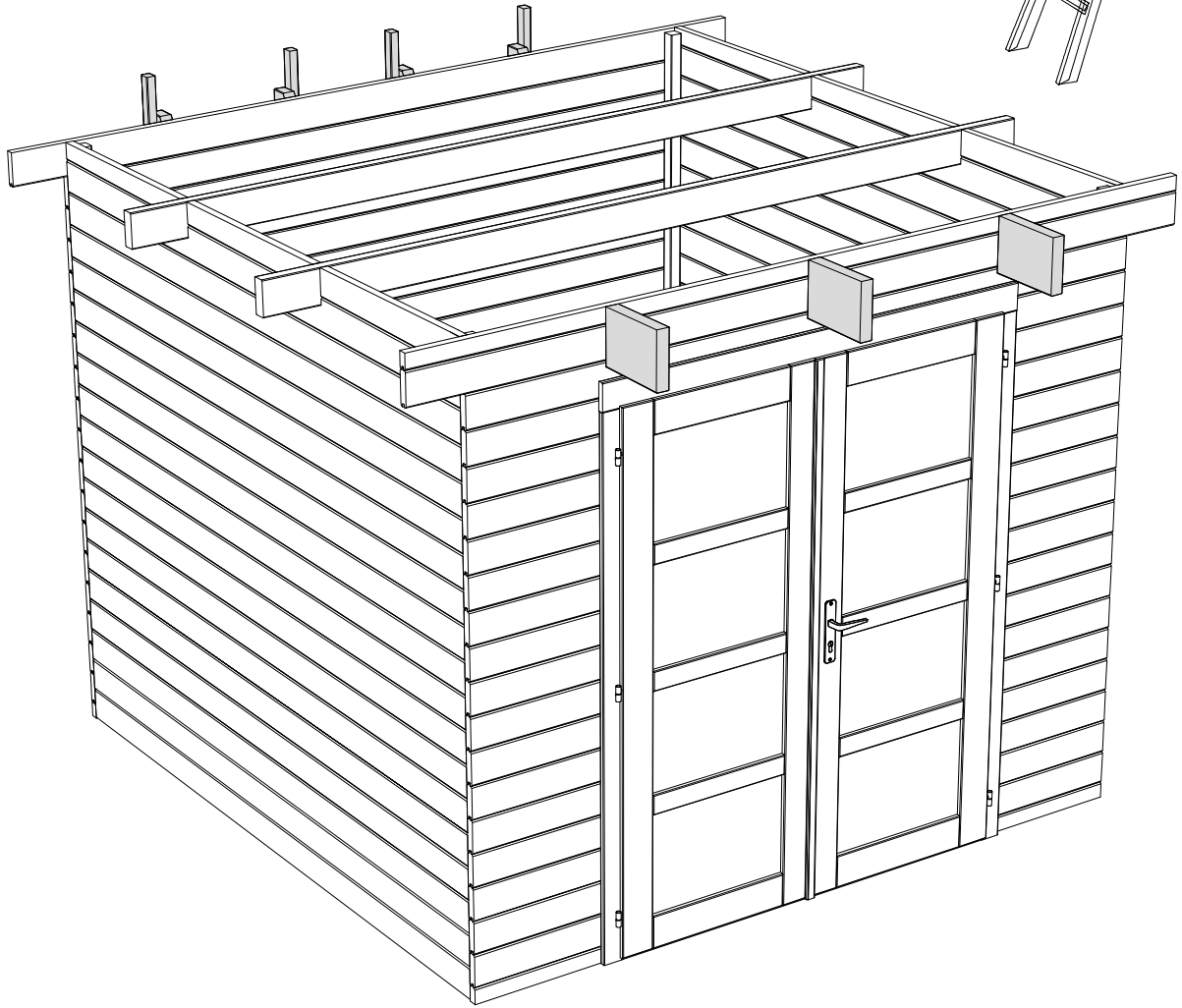
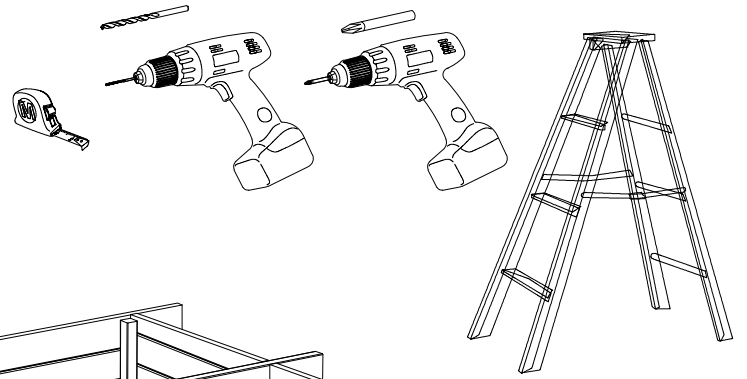


PR1  
6x120

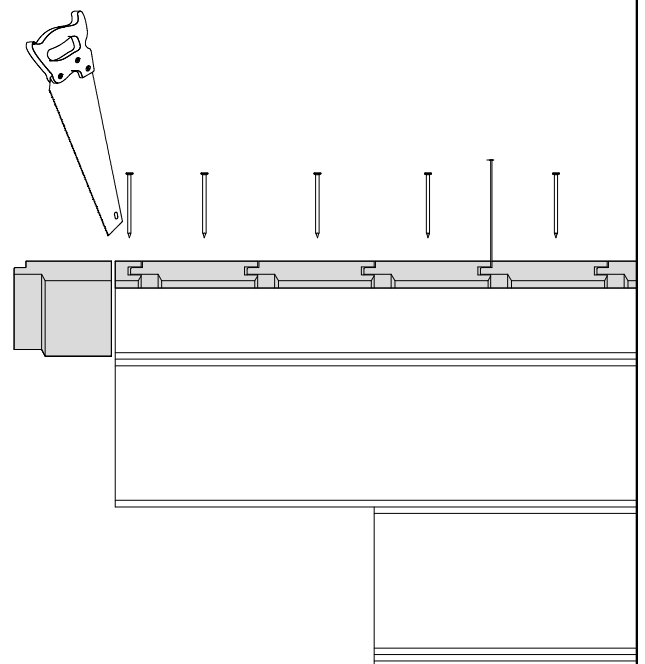
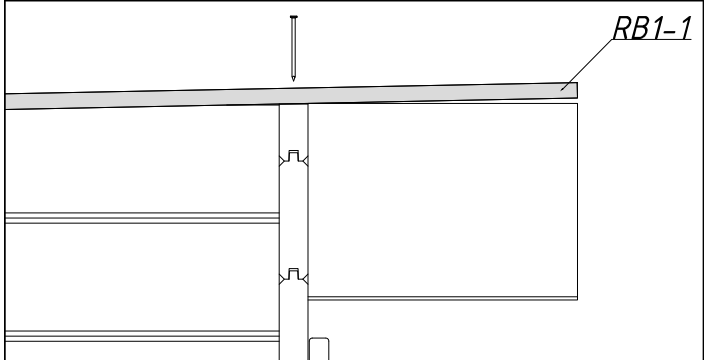
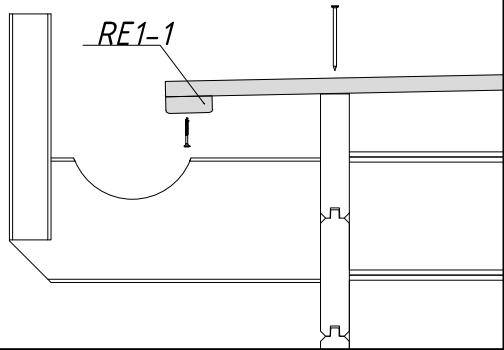
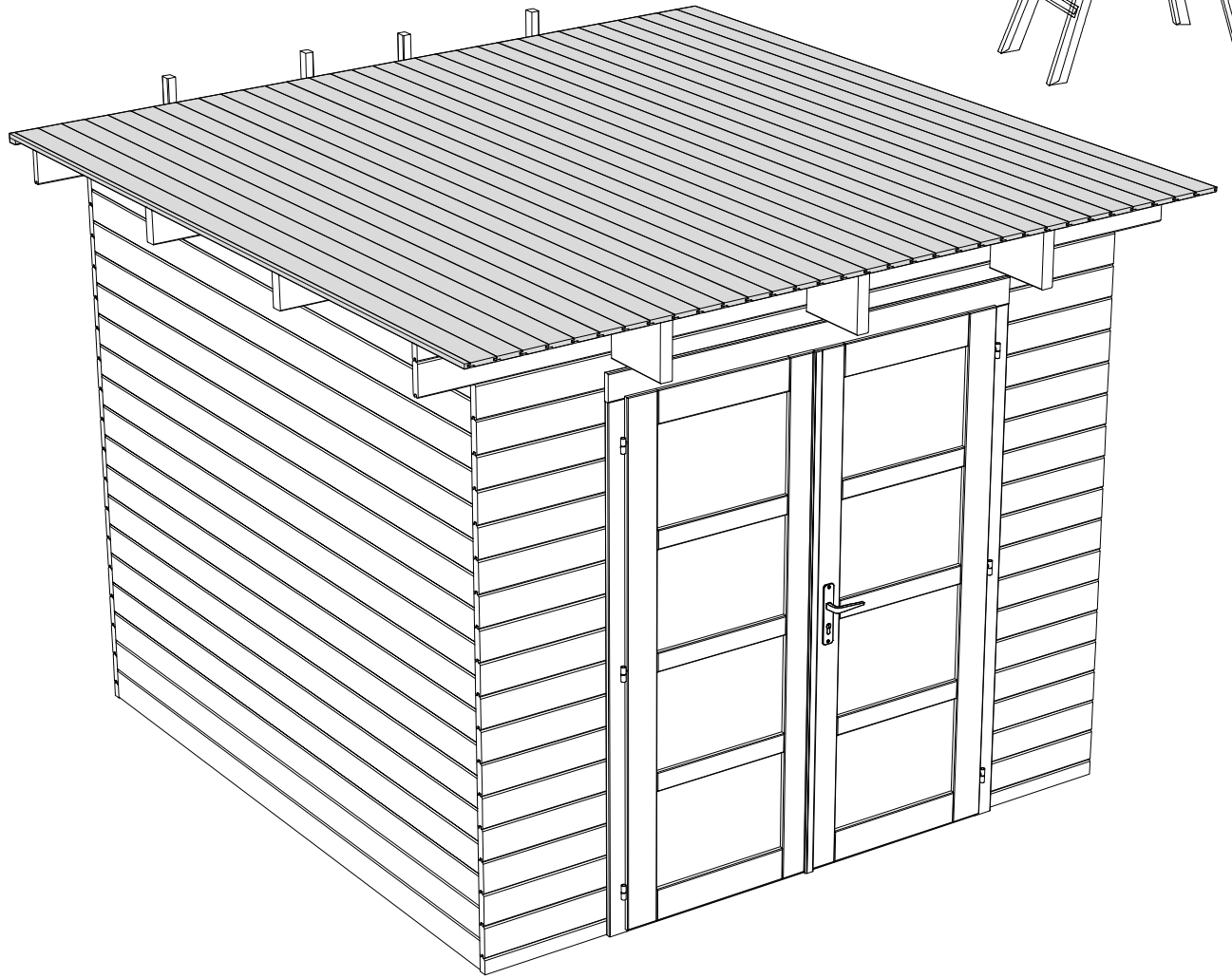
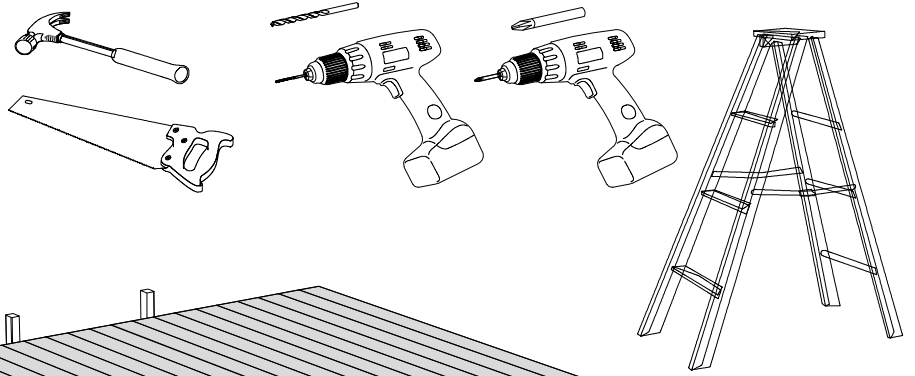
2 pcs  
8 pcs



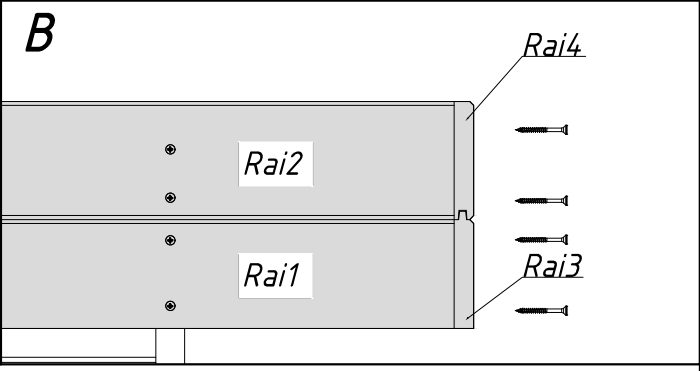
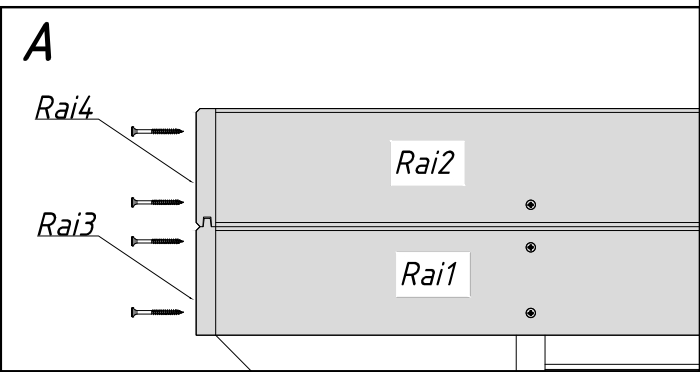
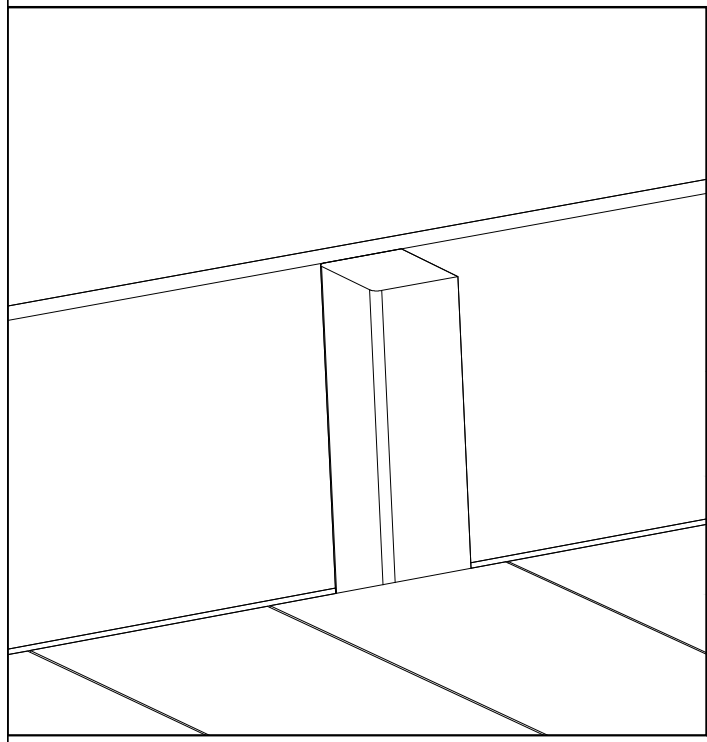
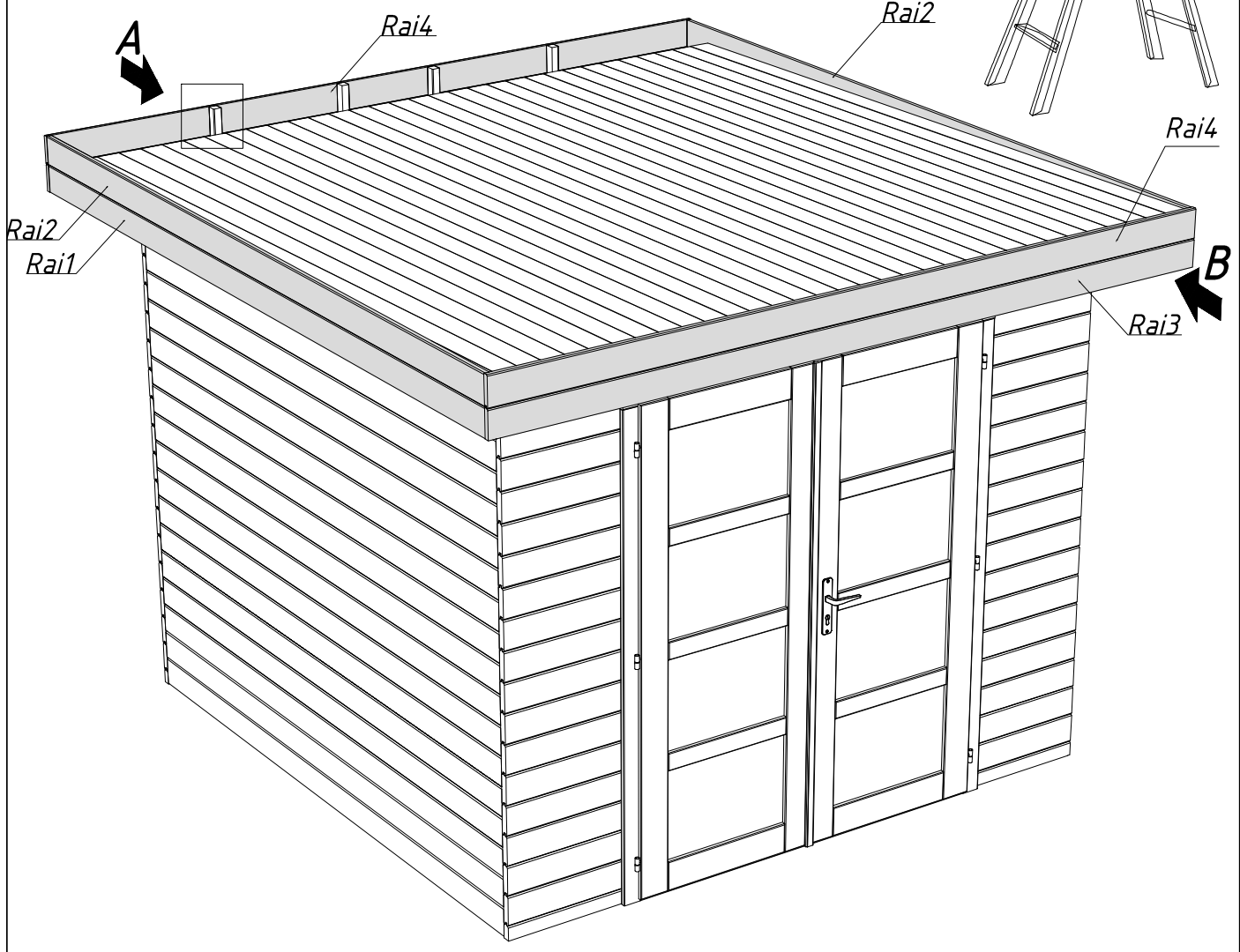
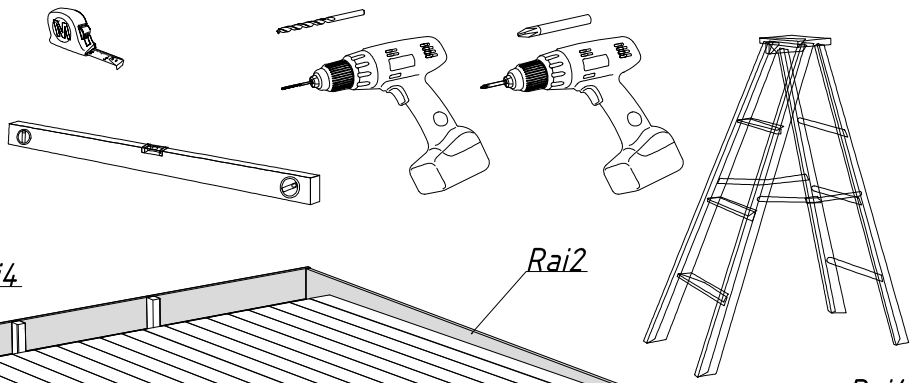
- SP1            3    pcs
- SP2            4    pcs
- SP3            4    pcs
- 4,5x50        8    pcs
- 5x90           17   pcs



<i>RB-1</i>	<i>33</i>	<i>pcs</i>
<i>RE1-1</i>	<i>2</i>	<i>pcs</i>
<i>2,5x50</i>	<i>150</i>	<i>pcs</i>
<i>3x30</i>	<i>10</i>	<i>pcs</i>



- Rai1            2    pcs
- Rai2            2    pcs
- Rai3            2    pcs
- Rai4            2    pcs
- 4,5x50        76   pcs

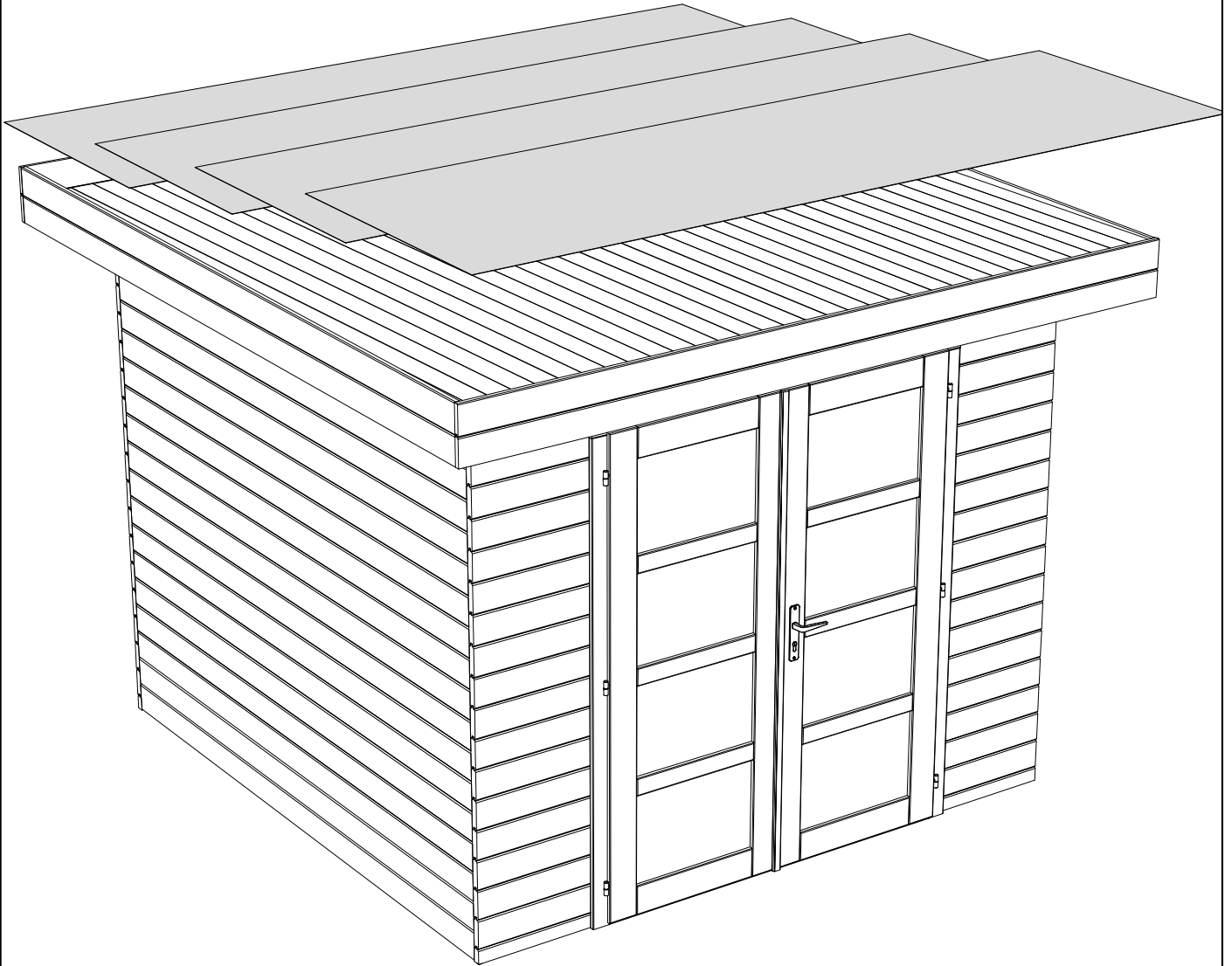
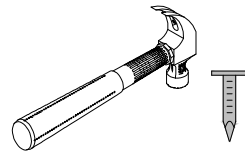




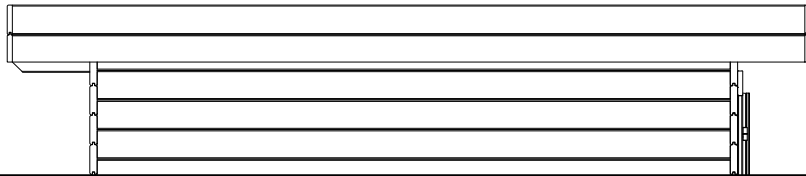
4 pcs



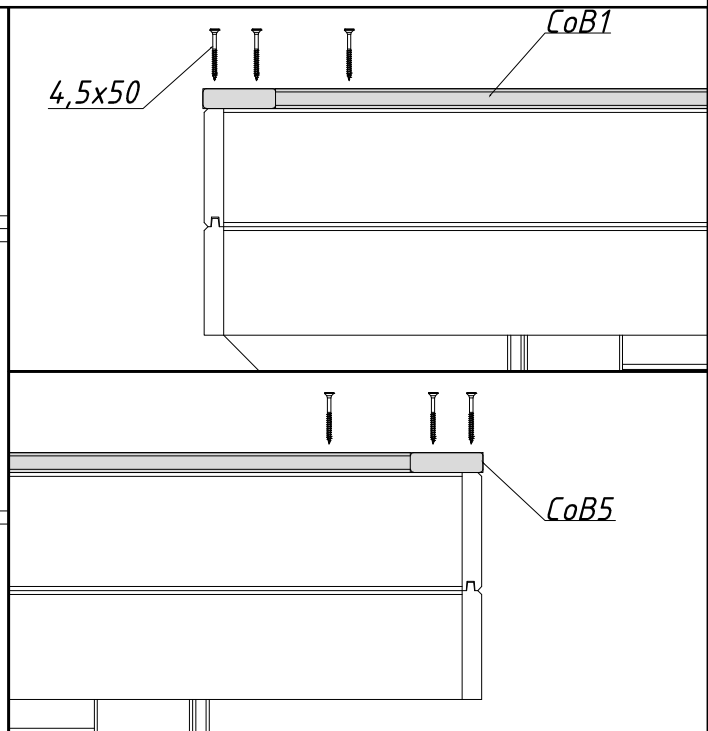
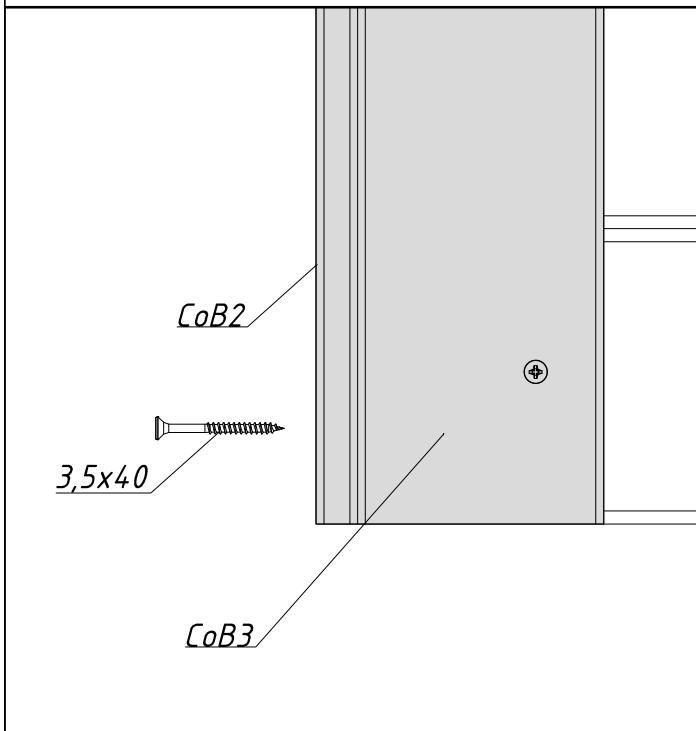
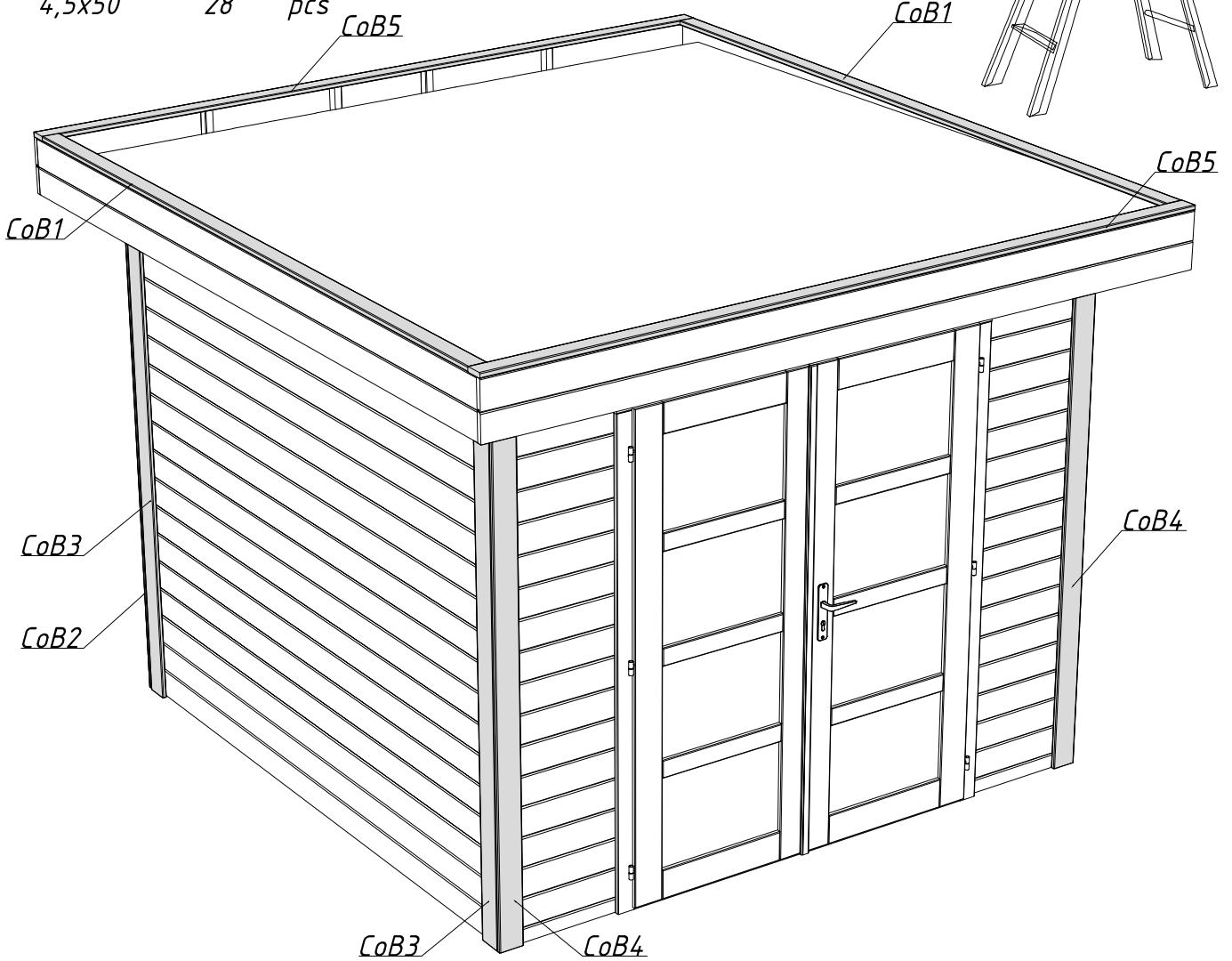
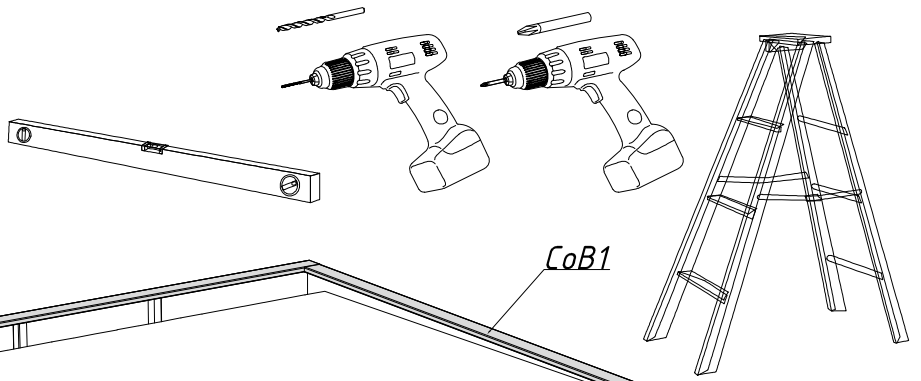
200 pcs



250



- CoB1 2 pcs
- CoB2 2 pcs
- CoB3 4 pcs
- CoB4 2 pcs
- CoB5 2 pcs
- 3,5x40 80 pcs
- 4,5x50 28 pcs



## 1 General information



**Dear client,**

We are glad that you have decided in favour of our garden house!

**Please read the assembly manual carefully before proceeding with the house installation!** You will thus avoid problems and will not waste time.

### **Recommendations:**

- Keep the house package until its complete assembly in a dry place, but not in direct contact with the ground, protected from weather conditions (moisture, the sun, etc.). Do not keep the house package in a heated room!
- When selecting the garden house location, make sure that the house will not be subjected to extreme weather conditions (areas of strong snowfall or winds); otherwise you should attach the house (for instance, with anchors) to the subsoil.



### **Warranty**

Your house is made from high quality spruce and delivered in the natural (unprocessed) form. If, despite our thorough inspection, you should have complaints, please submit the filled out control sheet and purchase invoice to the product seller.

**ATTENTION: Please be sure to keep the documentation accompanying the house package! The control sheet includes the control number of the house. We can only review complaints if you submit the control number of the house to the seller!**

The warranty does not cover:

- Peculiarities of wood as a natural material
- Wooden details already painted (processed with a wood preservative)
- Wooden details containing whole branches that do not endanger the stability of the house
- Colour tone variations caused by wood structure differences that do not influence wood lifetime
- Wooden details containing (caused by drying) small cracks/gaps that do not pass through and do not influence the structure of the house
- Twisted wooden details if they can nevertheless be installed
- Roof and floor boards that may have on their concealed surfaces some non-planed areas, colour differences and waning
- Complaints resulting from an incompetent manner of the installation of the house or the house subsiding due to an incompetently made foundation
- Complaints caused by introducing self-initiative changes to the house, such as the deformation of wooden details and doors/windows due to an incompetent manner of wood processing; the attachment of storm braces too rigidly, doorframes being screwed onto wall logs, etc.

**The complaints covered by the warranty are satisfied to the extent of replacing the deficient/faulty material. All other demands will be excluded!**





## Garden house painting and maintenance

Wood is a natural material, growing and adapting depending on weather conditions. Large and small cracks, colour tone differences and changes, as well as a changing structure of wood are not errors, but a result of wood growing and a peculiarity of wood as a natural material.

Unprocessed wood (except for foundation joists) becomes greyish after having been left untouched for a while, and can be turn blue and become mouldy. To protect the wooden details of your garden house, you must immediately process them with a wood preservative.

We recommend that you cover the floor boards in advance with a colourless wood impregnation agent, especially the bottom sides of the boards, to which you will no longer have access when the house is assembled. Only this will prevent moisture penetration.

We definitely recommend that you also process the doors and windows with a wood impregnation agent, and do that namely both inside and outside! Otherwise the doors and windows can become twisted.

After the house assembly is completed, we recommend for the conclusive finishing a weather protection paint that will protect wood from moisture and UV radiation.

When painting, use high quality tools and paints, follow the paint application manual and manufacturer's safety and usage instructions. Never paint a surface in strong sunlight or rainy weather. Consult a specialist regarding paints suitable for unprocessed softwood and follow the paint manufacturer's instructions.

Having been properly painted, your garden house's lifetime will increase substantially. We recommend that you inspect the house thoroughly once every six months.

## 2 Preparation for assembly

### Tools and preparation of components

To assemble the garden house, you will need the following tools:



assembly aid



ladder



hammer



water-level



screwdriver



saw



knife



measuring tape



pliers



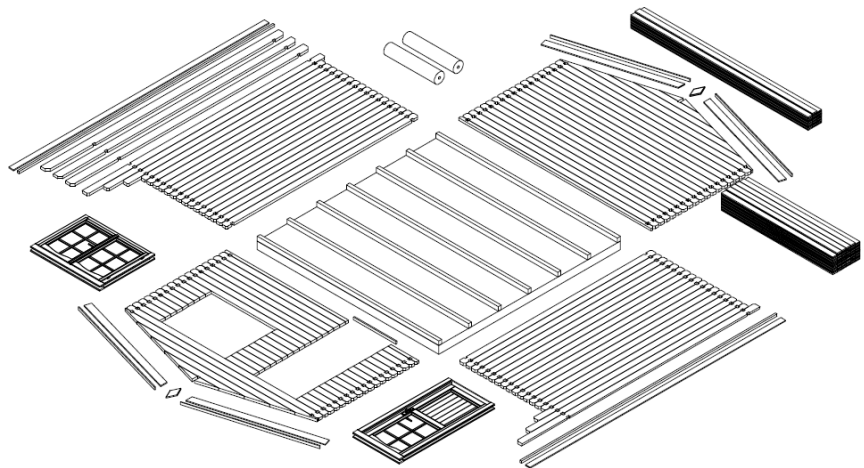
drill

**ADVICE:** To avoid splinters, we recommend that you wear the corresponding protective gloves during the assembly process.

## Preparation of components:

Sort the components based on the wall plans (see Technical specifications) and place them at the four sides of the house in the installation sequence.

**ATTENTION:** Never place the components directly on grass or a muddy surface because it will be very difficult or even impossible to clean them up later!



## **Foundation**

A good foundation is the most important aspect guaranteeing the duration and safety of your house. Only a completely level, rectangular and bearing foundation will ensure problem-free installation of the house, its stability and especially the matching of the doors. With a good foundation, your house will stand for many years more.

Prepare the foundation so that its upper edge extends from the ground to a height of at least 5 cm. At the same time make sure that there are sufficient air apertures under the house floor for ventilation.

We recommend the following foundation options:

- Strip or spot foundation
- Foundation from concrete or pavement slabs
- Cast concrete bed

Prepare the foundation so that the foundation joists are propped up on every side with intervals not exceeding 50-60 cm.

Consult an expert in this field or have the foundation prepared by specialists.

## **3 Garden house assembly**

### **ATTENTION:**

- The house package also includes 2-3 marked hitting blocks (wall profile approximately 20-30 cm long).

All of the details listed above ARE NOT mentioned in the specification list.

- The drawings have the details marked with three-digit position numbers. The exact positions of those details that have the third digit "X" can be found in the specification list.

# Installation manual

## Base frame (Foundation joists)

The base frame of the house must be completely flat and level to ensure that the installation proceeds without problems.

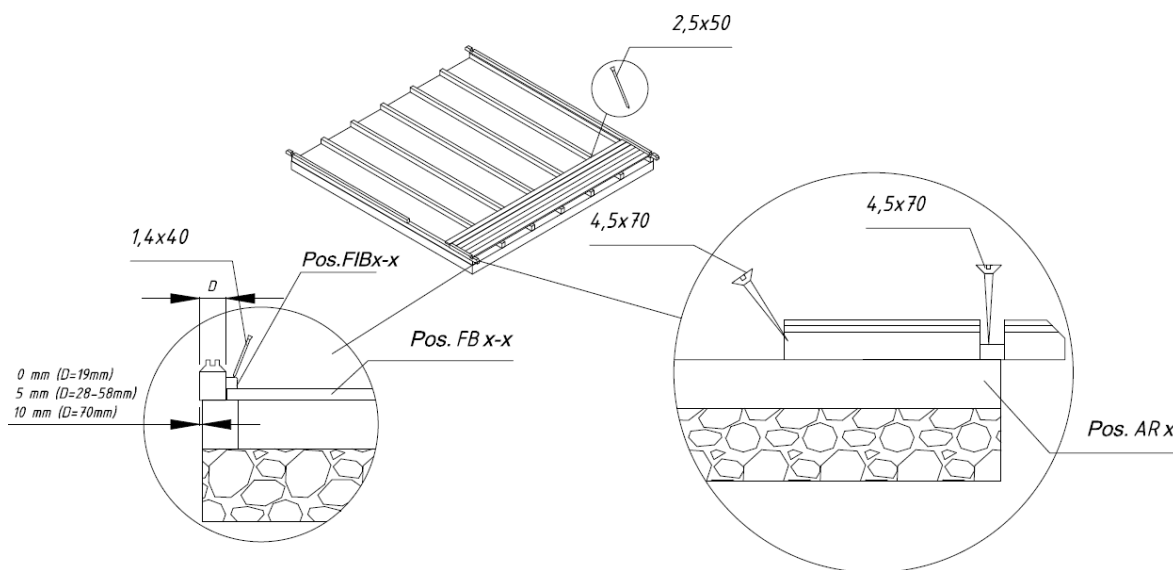
**ATTENTION: different house can have different foundation placements – see the appended base frame drawing (in Technical specifications)!**

Place the impregnated foundation joists on the prepared foundation in accordance with the drawing at equal intervals. Make sure that the joists are level and rectangular prior to screwing them together.

**ADVICE:** It is recommended to place between the foundation joists and foundation a damp-proof course that will protect the house from moisture and decay.

**ADVICE:** To ensure protection from wind and storm, it is recommended to attach the foundation joists to the foundation (for this, you can use for instance metal angles, anchors, etc.). The corresponding materials are not included in the supplied kit!

### Installation of foundation joists:



## Walls

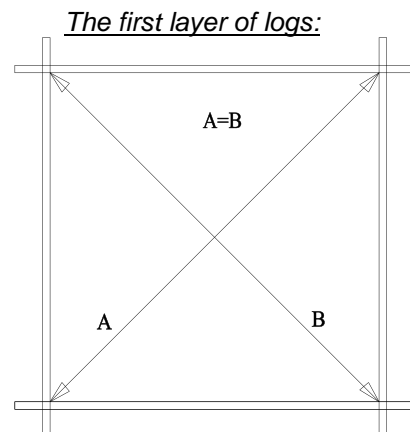
When installing the walls, it is important to remember that:

- The logs are always assembled with their tongue upwards!
- If necessary, use the hitting block and hammer! Never directly hit the tongue with the hammer!

Install the walls in accordance with the appended wall plans (see Technical specifications).

First of all place half logs of front and back wall at the correct location and attach them with screws to the foundation joists. Then install the side wall logs. Make sure that the first layer of logs extends a bit over the foundation joists: the logs must extend over the joists by some 3-5 mm. You will thus protect the house from moisture, allowing the free flow of rainwater into the ground.

**ATTENTION:** After the first layer of logs, measure the diagonal lengths and, if necessary, re-install the logs. Only if the diagonal lengths are completely equal is the base frame rectangular and you can mutually attach the logs.



## Installation manual

---

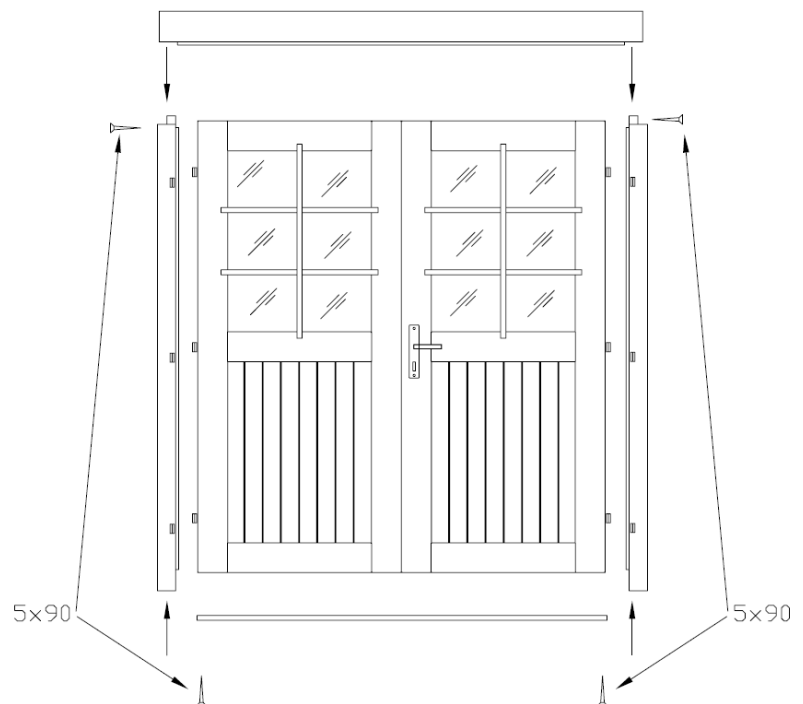
Continue the installation of the walls by strongly forcing the wall logs into one another. If necessary, use the hitting block and hammer. At the same time, do not forget to begin the installation of the door and windows. You should definitely begin the door installation after the 5<sup>th</sup>-6<sup>th</sup> layer of logs.

### Door and window

#### Doorframe:

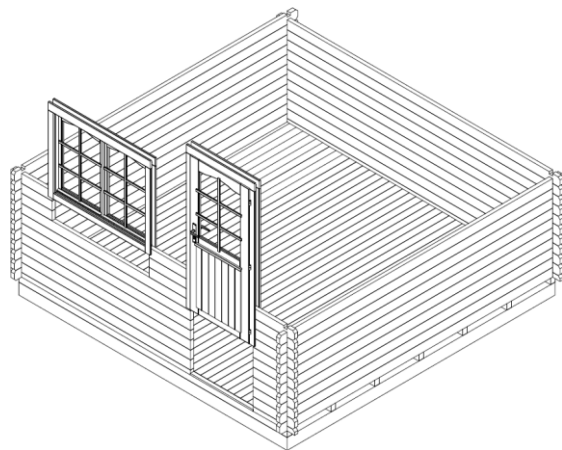
- If it is a double door, the doorframe is supplied in separate parts due to transportation requirements and you will have to begin by assembling it.
- To do this, place together the 4 parts of the frame and screw them onto one another.
- Make sure that the part of the frame with the deeper notch is installed upwards. The lateral jamb parts have hinges and are mirrored.
- It is recommended to install the leaves later.
- If it is a single door, its frame and leaf are supplied already assembled.

#### Doorframe installation (Only necessary for a double door!):



#### Door installation:

The doorframe is placed at the formed aperture and pushed with force onto the lower log. If it is a double door, place the leaves on the hinges now. To open and close the door, fit the separately packaged lock and handle.



#### Window installation:

Continue with the installation of the wall logs until you reach the window height. The wall plans (see Technical specifications) show how many logs go under the window. Install the window similarly with the door. Just like the door, push the window frame with the window into the window aperture onto the lower log, applying force. Make sure that the window is not fitted backwards (topsy-turvy).

**ADVICE:** Definitely make sure that the windows and doors open in the proper direction. The doors always open from the inside **to the outside**. The tilt&turn windows open **to the inside**. The revolving and the slinging windows open **to the outside** (the window handles are on the inside).

## Installation manual

---

**ATTENTION:** It is not necessary to fix the doors and windows to the wall logs! If you wish to do this, it will be sufficient to fix them with a couple of screws in the lower part of the frame because as they dry, the wall logs will begin subsiding.

You can conduct the final adjustments of the doors and windows only some 2-3 weeks after the house installation, when the house will have become adapted to weather conditions and its logs settled.

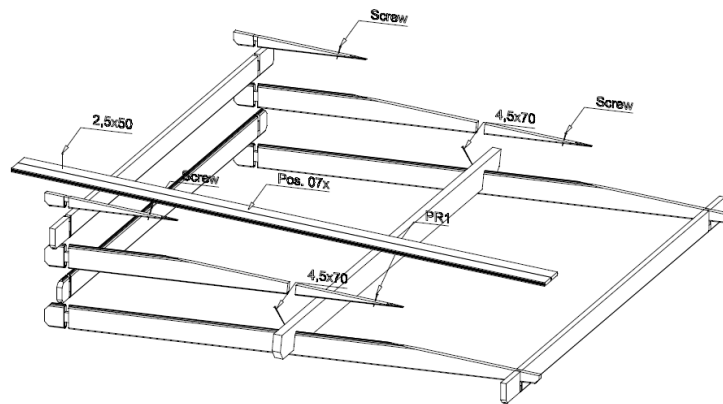
### Apex

In most cases, the apex is supplied in one piece (attention: in some house options, the apex can comprise several parts! In this case, these parts will have to be screwed together prior to other actions). Having installed the last wall logs, place the apex on the front and back walls and attach them with screws.

The apexes have indents for the purlins. The purlins also have the corresponding indents, ensuring that the roof is placed firmly and in the right place.

Now place the purlins in the corresponding indents in the apexes. Installation of purlins:

Make sure that the upper wall log, apexes and purlins are level. Having fitted the purlins, screw them onto the apex from above.



**ATTENTION:** If the wall logs are not properly pressed on top of one another without gaps, the upper wall log may not be on the same level with the apexes. In this case you should tap the wall logs downwards as necessary or plane the apex or sidewall log somewhat lower.

### Roof

Before installing the roof boards, make sure that the house is completely level. Use the water-level to check all walls.

**ATTENTION:** When placing the roof, use a stable ladder. Do not step on the roof as the structure is suitable to sustain only an even load (snow, wind, etc.), and not a point load!

Begin the installation of the roof boards **from the front edge of the roof**. Tap the boards lightly and attach them from above and below with nails to the purlins and upper wall log.

**ATTENTION:** Do not press the roof boards together too densely and you will avoid moisture-causing bulging! Leave an interval of about 1 mm between the boards to allow for swelling.

- During the whole process of installing the roof boards, make sure that their crest purlins coincide and the eave sides of the boards extend at a uniform distance. Verify this with a rope or the lateral eave lath that you may install for verification purposes.
- The roof boards must be even with the purlin ends in front and behind. If necessary, saw both last roof boards so narrow that they are even with the purlin ends.

# Installation manual

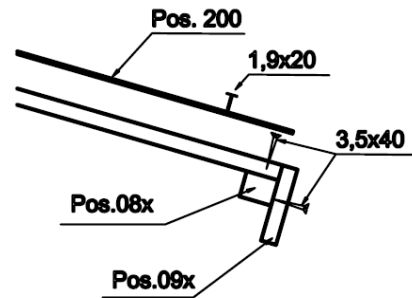
---

Having installed the roof boards, the roof felt and roof slats must be attached.

**The table of components shows whether the roof cover material and slats are included with this house option!**

First of all, screw the roof edge reinforcements and eave edgings under the roof board ends. Then install the roof cover material.

*Installation of roof slats:*



Roof cover material (NB! Some house options do not include it in the kit!)

Cut the roof felt in accordance with the roof length into suitable pieces and begin installing them parallel to the lower edge of the roof, moving toward the crest and placing the felt strips in the direction from the back wall to the front wall. The felt should extend from the edge by approximately 2-4 cm. Attach the roof felt to the roof boards with the supplied felt nails at intervals of about 15 cm. Make sure that the felt strips overlap by at least 10 cm.

## Floor

Only when the house is built completely you can install the floor boards, thus avoiding unnecessary smudging on the floor.

Place the floor boards on the base frame, tap them lightly against one another and then nail them with force to the foundation joists. If necessary, cut the last floor board to the suitable width.

The final operation is the fitting of the floor beadings to cover the spaces between the floor boards and walls. If necessary, cut the floor beadings to the suitable length.

**ATTENTION:** Depending on the climate at the house location, the floor boards can either swell or diminish. If the floor boards are very dry while the climate is damp, they will easily absorb moisture. In this case, the floor boards should not be attached very densely to avoid likely bulging. Leave some space (1-2 mm) between the floor boards to allow for swelling. But if your climate is warm and dry, you can install the boards densely because they will become drier and spaces may appear between them.

## Storm braces (NB! Not included in some house option kits!)

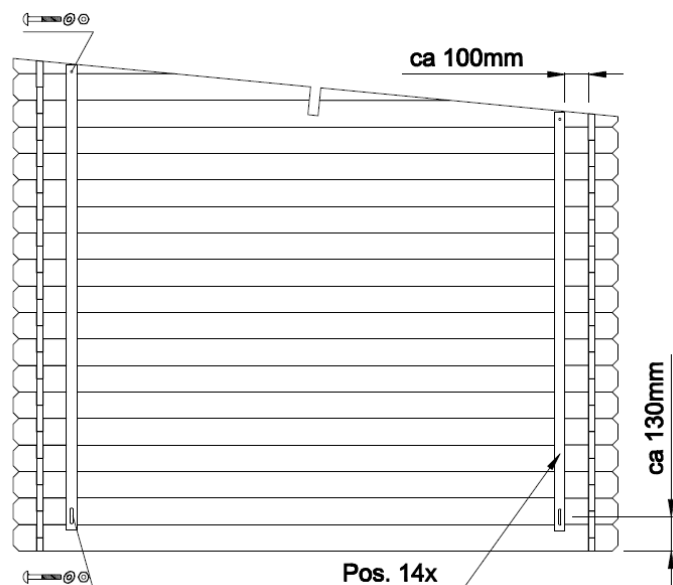
Attach the storm braces (if included in the supplied kit) to the inner sides of the front (2 units) and back (2 units) walls with the supplied bolts. It is important for the logs to be drilled through in advance. Please keep the distances indicated in the drawing so that no problems occur due to wood swelling or diminishing.

**ADVICE:** Make sure that the storm braces are attached to the apex log from above and to the middle of the first full-length wall log from below. If necessary, shorten the upper ends of the slats.

Do not turn the screws tightly so wood can further swell or diminish.

With the house having settled, you should adjust the attachments so the wall logs can settle.

### Installation of storm braces:



## General advice:

### **Problem:** *Gaps appear between the wall logs*

**Cause:** Additional details are attached to the house that do not allow wood to swell/diminish.

**Solutions:** If the door/window is attached to the wall logs with screws/nails, remove these screws/nails;  
If the storm brace is screwed on too tightly, loosen its attachment;  
If (rain water) pipes are installed on the wall, loosen their attachments;

### **Problem:** *The doors and windows become stuck.*

**Cause:** The house/foundation has settled.

**Solution:** Check whether the house is level. Level the foundation joists and walls.

**Cause:** The doors and windows have swelled due to moisture.

**Solution:** Adjust the door and window hinges; if necessary, plane the door or window narrower.



**We wish you total success with the garden house installation and much joy with this house for many years to come!**

## I. Généralités



**Cher client,**

Nous sommes heureux que votre choix se soit porté sur notre maison de jardin!

**Il est important de lire entièrement cette notice de montage avant de commencer la construction de votre maisonnette en poutres!** Vous vous éviterez ainsi des problèmes et des pertes de temps inutiles.

### Conseils:

- Avant son montage définitif, entreposez le kit de construction au sec et pas directement sur la terre, en le protégeant contre les intempéries (humidité, rayonnement du soleil, etc.). Ne pas conserver la marchandise dans un local chauffé!
- Au moment de choisir l'endroit de montage, veillez à ce que la maisonnette en poutres ne soit pas exposée à des conditions atmosphériques extrêmes (zones exposées à des vents forts). Le cas échéant, il serait bon d'ancrer la maisonnette en poutres dans des fondations.



### Garantie

Votre maisonnette est réalisée en bois d'épicéa nordique de haute qualité et elle vous est livrée non traitée. Si elle devait donner lieu à des réclamations, malgré les soins apportés à notre contrôle en usine, nous vous demandons de remettre à votre revendeur spécialisé le bon de contrôle rempli et votre facture d'achat!

**IMPORTANT: Veuillez impérativement conserver la documentation! Vous trouverez sur le bon de contrôle le numéro de contrôle de la maisonnette. La réclamation ne peut être traitée dans le cadre de la garantie que si vous communiquez le numéro de contrôle à votre revendeur spécialisé!**

Ecarts qui ne constituent pas un motif de réclamation:

- Le bois est un produit naturel, ce qui fait que les réclamations reposant sur des phénomènes naturels ne tombent pas sous le coup de la garantie.
- Les réclamations concernant les matériaux ne sont pas acceptées si une peinture a déjà été appliquée!
- Nœuds qui sont inhérents au bois.
- Décolorations du bois qui n'exercent pas d'influences sur la durée de vie.
- Fissures / fentes de retrait qui ne sont pas traversantes et qui n'exercent pas d'influences sur la construction.
- Déformations du bois, sous réserve qu'il puisse encore être mis en œuvre.
- Sur les faces non visibles des planches du toit et du plancher, il se peut que les planches ne soient pas rabotées, on peut observer des différences de couleur et des flaches.
- Une réclamation tardive résultant d'un montage incorrectement réalisé, d'un affaissement de la maisonnette par suite de fondations et de soubassements incorrectement réalisés, est exclue.
- Une réclamation suite à des modifications apportées de son propre chef à la maisonnette, comme par exemple une déformation des madriers et des fenêtres/portes par suite d'une peinture du bois ou d'une construction insuffisantes, la fixation trop rigide du contreventement, le vissage des dormants sur les madriers, etc., est exclue.

**Les recours en garantie se limitent au remplacement du matériel défectueux. Tous les autres recours sont exclus!**





## Peinture et entretien

Le bois est un produit naturel qui travaille de façon variable. Des caractéristiques telles que les madrures grossières et fines, les nuances de couleurs et les modifications, de même que les imbrications, ont leur origine dans la croissance du bois. Dans le cas de bois qui poussent en pleine nature, ces caractéristiques sont normales et ne doivent par conséquent pas être considérées comme des défauts mais, au contraire, comme une particularité de ce matériau naturel qu'est le bois.

Au bout de quelque temps, le bois non traité (à l'exception des longrines) prendra une teinte grise, il pourra bleuir et moisir. Pour protéger votre maisonnette en poutres, il convient que vous le traitiez avec des produits de protection du bois appropriés.

Pour protéger votre maison de jardin de façon optimale, nous vous conseillons de traiter préalablement les planches du plancher à l'aide d'un apprêt incolore. En particulier la face inférieure à laquelle vous ne pourrez plus avoir accès après le montage. Ce n'est que de cette façon que l'on empêche l'humidité de pénétrer.

Nous conseillons de traiter impérativement les portes et les fenêtres également à l'aide d'un apprêt. Il est très important de peindre en une seule fois aussi bien les faces intérieures que les faces extérieures des portes et des fenêtres! Dans le cas contraire, elles pourront se déformer.

Une fois le montage effectué, nous vous conseillons de revêtir l'extérieur (sans le toit) d'un apprêt. Dès que cet apprêt sera sec, vous devrez revêtir votre maison d'un glaciis pour bois qui protégera le bois contre l'humidité et le rayonnement ultraviolet.

Pour la peinture, n'utilisez qu'un outillage et une peinture de haute qualité, et respectez les consignes de sécurité et de mise en œuvre du fabricant de peintures. Ne peignez jamais en plein soleil ou lorsque le temps est à la pluie. Faites-vous conseiller de façon détaillée par votre revendeur spécialisé quant à la protection à utiliser pour les conifères non traités.

En refaisant régulièrement la peinture, vous augmentez sensiblement la durée de vie de votre maison de jardin. Nous vous conseillons également une inspection semestrielle de votre maison de jardin.

## II. Préparation au montage

### Outils et préparation des détails

Pour le montage, vous avez besoin du matériel suivant:



une personne pour vous aider au montage



échelle double



marteau



niveau à bulle d'air



tournevis



scie



couteau



mètre-ruban



pince



foret

**REMARQUE:** Pour éviter les blessures provoquées par d'éventuels éclats de bois, nous vous demandons de porter des gants de protection correspondants lors du montage.

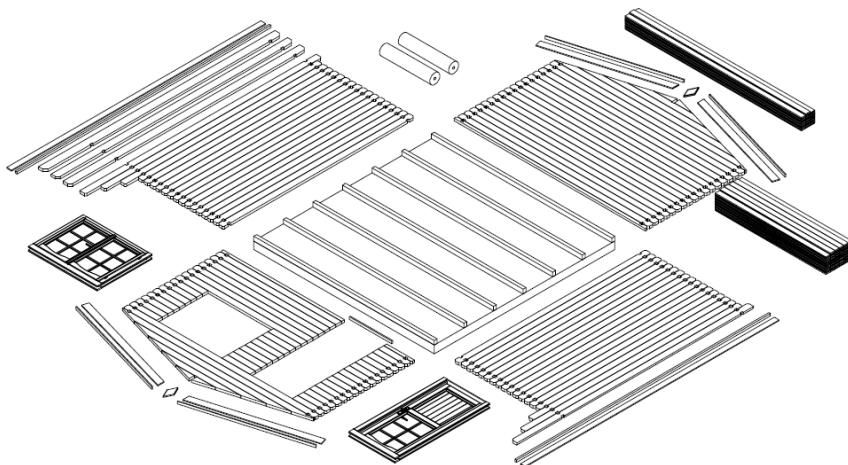
# Notice de montage – Français

---

## Préparation des détails:

Classez le matériel et déposez-le sur les quatre côtés de la maison, conformément à l'ordre de montage.

**IMPORTANT:** Ne déposez pas les bois directement sur le gazon ou dans la saleté, car les bois seront alors difficiles, voire impossibles à nettoyer plus tard!



## Fondations

Le plus important, pour la sécurité et la stabilité de votre maison, ce sont de bonnes fondations. Seules des fondations parfaitement horizontales et solides garantissent un montage parfait des madriers, la stabilité et, en particulier, la précision d'ajustement des portes. Des fondations de qualité prolongent la durée de vie de votre maisonnette en poutres de beaucoup d'années.

Réalisez les fondations de façon à ce que le bord supérieur dépasse d'au moins 5 cm de la surface du sol, afin que votre maison soit mieux protégée contre l'humidité. Veuillez également noter que, plus tard, la maison sera ainsi suffisamment ventilée par dessous.

Nous vous proposons les fondations suivantes:

- Semelle filante ou fondations ponctuelles
- Fondations en béton ou fondations en dalles de ciment
- Fondations coulées en béton

Préparez les fondations de façon à ce que les longrines prennent partout appui à un écartement de max. 50-60 cm.

Faites-vous le cas échéant conseiller par un spécialiste ou faites réaliser les fondations par un spécialiste.

## III. Montage

### IMPORTANT:

- Nous vous envoyons également, dans l'emballage, 2 à 3 battes marquées comme telles pour vous aider dans le montage (un profilé de madrier d'une longueur de 20 à 30 cm environ).

Toutes les pièces mentionnées ci-dessus **NE SONT PAS** énoncées dans la liste de pièces.

- Les pièces sont identifiées, sur les illustrations, par des positions à trois chiffres. Les positions précises de ces pièces dont le troisième chiffre dans l'illustration est un « x », peuvent être repérées dans la liste des pièces.

## Longrines

Les longrines doivent être parfaitement de niveau et planes, afin de garantir un montage parfait.

**ATTENTION:** Le plan de fondations peut être différent en fonction des modèles de maisons. Veuillez vous reporter au plan de fondations ci-joint (voir Caractéristiques techniques)!

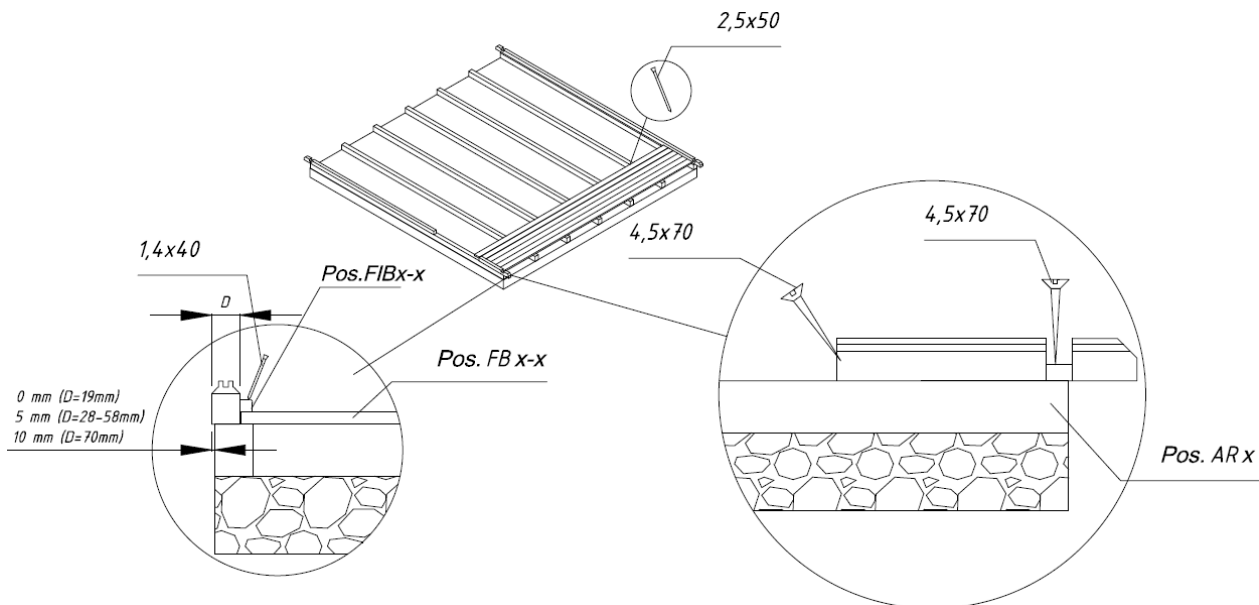
## Notice de montage – Français

Posez les longrines imprégnées sur les fondations préparées, en respectant à peu près le même écartement entre les longrines (voir plan de fondations dans les Caractéristiques techniques). Veillez à ce que les longrines soient de niveau et à angles droits, avant qu'elles ne soient assemblées par vissage.

**REMARQUE:** Il est conseillé de placer, entre les longrines et les fondations, une barrière d'humidité qui protégera contre l'humidité et la putréfaction.

**REMARQUE:** Il est également conseillé d'ancrer les longrines dans les fondations. (A ces fins, utilisez par exemple des cornières en acier, des ancrages pour béton, ou autres). Ce matériel ne fait pas partie de l'étendue de la fourniture!

### Montage des longrines:



## Parois

Lors du montage des parois, il est important de savoir ceci:

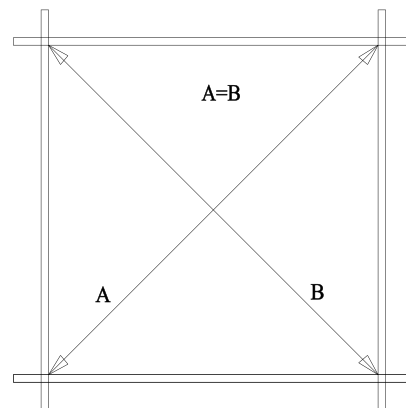
- Les madriers des parois s'emboîtent toujours ressort tourné vers le haut!
- En cas de besoin, utilisez la planche à frapper et le marteau! Ne jamais frapper directement sur le ressort avec le marteau!

Les plans des parois (voir partie: Caractéristiques techniques) vous montrent le montage des parois.

En premier, posez les demi-madriers de la paroi avant et de la paroi arrière, et fixez-les à l'aide de vis sur les longrines. Placez ensuite les madriers des parois latérales dans leur position. A cet égard, veillez à ce que la première couronne de madriers soit un peu au-dessus des longrines: les madriers doivent dépasser d'environ 3-5 mm des longrines. Ceci donne un bord d'égouttement et protège contre l'humidité.

**IMPORTANT:** Après la première couronne de madriers, mesurer la diagonale et la réajuster le cas échéant! Ce n'est que lorsque les cotes de diagonale correspondent au millimètre près que les cadres sont à l'équerre et que vous pouvez alors les fixer les uns sur les autres. Réajuster si nécessaire.

### Couronne de madriers



Continuez en emboîtant fermement les madriers suivants les uns dans les autres. En cas de besoin, utilisez la planche à frapper et le marteau. Cependant, n'oubliez également pas de commencer par le montage des fenêtres et de la porte.

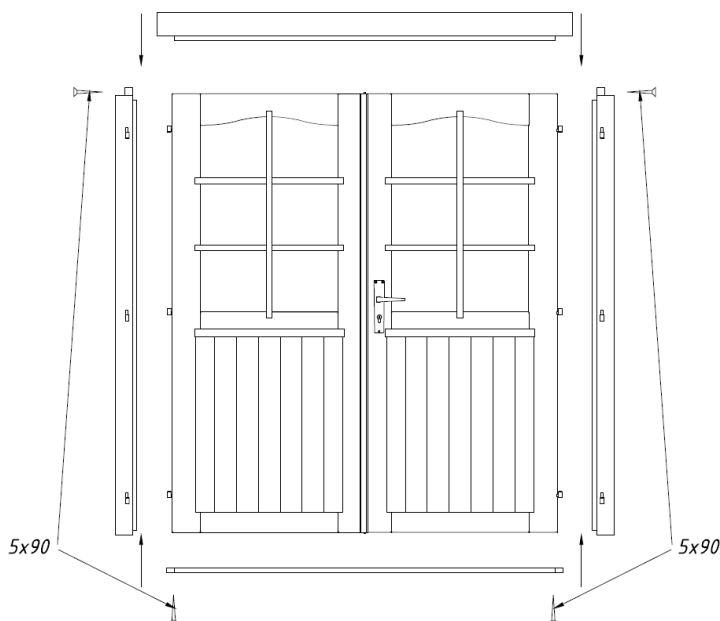
Vous devez impérativement procéder au montage de la porte après avoir posé la 5e - 6e couche de madriers.

## Porte et fenêtres

### Dormants:

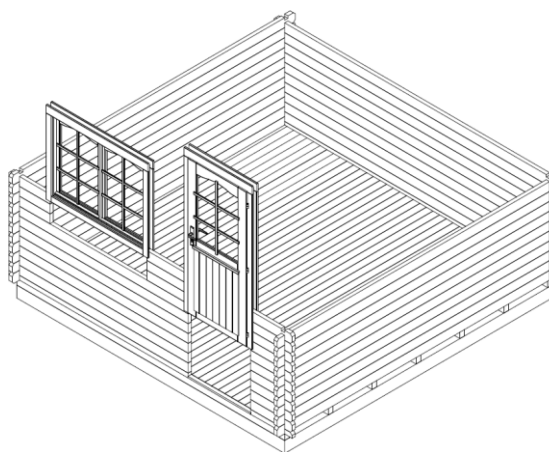
- Dans le cas de la porte double, les éléments du dormant sont livrés détachés, pour des raisons de transport, et il faut commencer par les assembler.
- A ces fins, assemblez les quatre bois du dormant de la porte double, et vissez-les.
- Veuillez noter que la partie du dormant comportant les fraises profondes vient contre le côté supérieur de la porte. Les éléments latéraux du dormant comportent des charnières et ils sont symétriques.
- Il est conseillé de n'accrocher que plus tard les vantaux de la porte.
- Dans le cas de la porte simple, les éléments du dormant et le vantail sont déjà assemblés.

### Montage des dormants (nécessaire seulement dans le cas d'une porte double!):



### Montage de la porte:

On introduit le dormant par dessus dans l'ouverture créée, et on le repousse en butée contre le madrier se trouvant tout en bas. Dans le cas d'une maison avec double porte, accrochez alors les vantaux de la porte. Montez ensuite les poignées de la porte emballées séparément, de façon à ce que vous puissiez ouvrir la porte.



### Montage des fenêtres:

Continuez à monter les parois jusqu'à ce que vous arriviez à la hauteur des fenêtres. Les plans des parois (voir Caractéristiques techniques) vous indiquent combien il y a de madriers sous les fenêtres. Pour poser les fenêtres, procédez exactement comme pour la porte. Introduisez le châssis de la fenêtre, avec la fenêtre, au-dessus des madriers et repoussez-le en butée contre le madrier inférieur. Veillez à ne pas monter la fenêtre la tête en bas.

**REMARQUE:** Pour les fenêtres et les portes, respectez impérativement le sens de montage. Les portes s'ouvrent toujours de l'intérieur de la maison **vers l'extérieur**. Les fenêtres pivotantes et basculantes s'ouvrent **vers l'intérieur**. Les fenêtres coulissantes et pivotantes s'ouvrent **vers l'extérieur** (les poignées des fenêtres sont à l'intérieur de la maison).

**IMPORTANT:** Il n'est pas nécessaire de fixer la porte et les fenêtres sur les madriers des parois. Si vous le souhaitez, ne les fixez à l'aide d'une ou de deux vis que dans la zone inférieure des cadres, afin que les madriers des parois puissent se mettre bien en place lors du séchage.

## Notice de montage – Français

Ne procéder au réglage définitif de la porte qu'au bout de 2 à 3 semaines environ, après que le bois se soit adapté au climat et que les madriers des parois se soient mis en place.

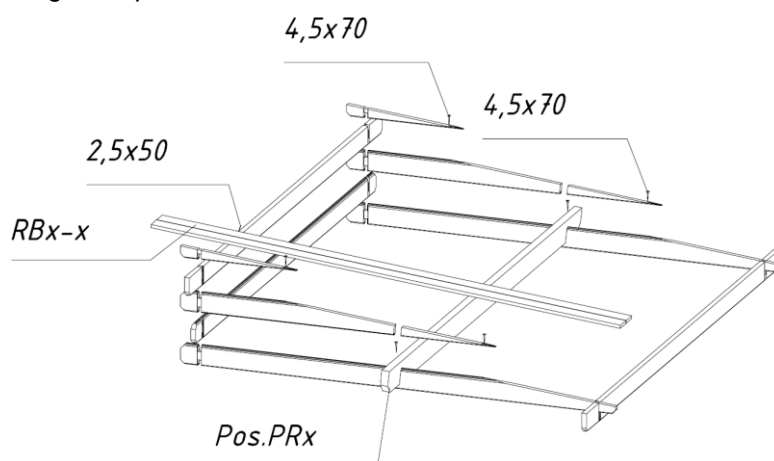
### Pignons

Le triangle du pignon est la plupart du temps en une seule pièce. (Attention: En fonction du modèle, le triangle du pignon peut également être en plusieurs parties! Dans ce cas, il faut commencer par visser les différentes pièces entre elles). Une fois que les derniers madriers des parois ont été montés, on place les triangles du pignon sur la paroi avant et sur la paroi arrière, et on les fixe avec des vis.

Les triangles du pignon comportent des évidements dans lesquels s'encastrent les pannes. Les pannes comportent également des évidements, ce qui empêche le toit de glisser.

Insérez alors les pannes dans les Montage des pannes: découpes des pignons prévues à cet effet.

Vérifiez si les points de raccordement entre pignons, madriers supérieurs des parois et pannes forment une surface plane. Une fois que les pannes ont été emboîtées, on les visse par dessus sur le pignon



**IMPORTANT:** Si les côtés supérieurs des pannes n'affleurent pas sur le pignon, vous devez donner de petits coups sur les madriers des parois pour les abaisser, ou bien raboter un peu plus le pignon et le madrier de la paroi latérale.

### Toit

Avant la pose des planches du toit, il convient de veiller à ce que la maison soit à cent pour cent de niveau. A l'aide d'un niveau à bulle d'air, vérifiez les 4 parois latérales.

**IMPORTANT:** Le revêtement du toit ne doit être mis en place que par utilisation d'une échelle stable. Il ne faut pas marcher sur le toit car sa construction est conçue pour une charge totale (neige, vent, etc.) et non pas pour une charge ponctuelle.

Commencez par poser les planches du toit en partant de la façade de la maison. Assemblez les différentes planches en donnant de petits coups et clouez-les dessus et dessous sur les pannes et sur le madrier de paroi supérieur.

**IMPORTANT:** Veillez à ne pas fixer les planches du toit de façon trop serrée les unes contre les autres, afin que les éventuels gonflements dus à l'humidité puissent être évités. Laissez environ 1 mm de distance entre les différentes planches, afin que le bois puisse encore un peu travailler.

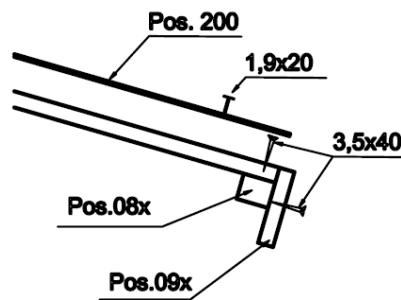
- Veillez, pour l'ensemble du toit, à un parallélisme absolu des bords du larmier, moyennant une saillie constante et un appui régulier sur la panne faîtière. Vérifiez ceci à l'aide d'un cordon ou du larmier latéral que vous mettez en place à des fins de contrôle.
- Les planches du toit doivent affleurer à l'avant et à l'arrière sur les pannes. En cas de besoin, sciez les dernières planches du toit plus étroites en conséquence.

## Notice de montage – Français

Une fois que les planches du toit ont été posées, il faut mettre en place le carton bitumé du toit et les baguettes de finition du toit. Pour savoir si la couverture et les baguettes de finition du toit font partie de l'étendue de la fourniture, reportez-vous à la nomenclature.

Commencez par visser les renforts du bord du toit et les baguettes du bord du toit sous les extrémités des planches du toit (s'ils font partie de l'étendue de la fourniture). Ensuite, posez le carton bitumé.

### Montage des baguettes du toit:

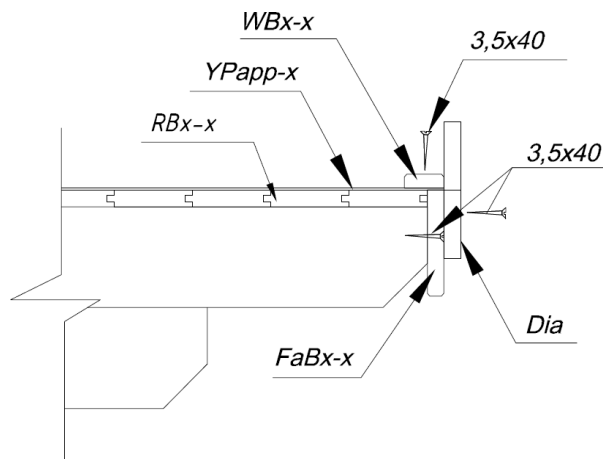


### Carton bitumé (s'il fait partie de l'étendue de la fourniture)

Pour la couverture du toit, découpez les bandes, dans le carton bitumé joint à la fourniture, en fonction de la longueur du toit. Commencez par fixer les bandes bitumées sur la face inférieure du toit, en posant les bandes longitudinalement, de la paroi arrière à la paroi avant. Laissez dépasser la première bande latéralement d'environ 2-4 cm (bord du larmier). Fixez le carton bitumé avec les chevilles pour carton bitumé, en respectant un espacement de 15 cm environ. Lors de la mise en place des couches suivantes, veillez à ce que celles-ci recouvrent la couche précédente sur 10 cm au moins.

### Montage des pare-vent et des bandeaux de pignon:

Après la pose du carton bitumé viennent le montage des pare-vent et la fixation des bandeaux de pignon sur les pannes et les madriers de parois supérieurs.



## Plancher

Ce n'est qu'une fois que la maison a été entièrement montée qu'intervient la pose des planches du plancher. On évite ainsi un encrassement inutile du plancher.

Posez les planches du plancher sur les longrines, donnez de petits coups pour les assembler et fixez-les ensuite fermement avec les clous sur les longrines. En cas de besoin, adapter les dernières planches en les coupant.

Pour terminer, on place à l'intérieur les baguettes destinées au plancher, afin de recouvrir les éventuels joints présents au niveau des parois. Le cas échéant, recouper les baguettes pour les ajuster.

**IMPORTANT:** Etant donné les différences de conditions climatiques à l'endroit où la maison est installée, les planches du plancher peuvent également travailler de façon différente. Si les planches du plancher sont très

sèches, mais que le climat est humide, elles absorbent facilement l'humidité. C'est la raison pour laquelle il est conseillé de ne pas fixer les planches trop près les unes des autres, afin d'éviter les éventuels gonflements. Laissez 1 à 2 mm environ de distance entre les différentes planches, afin que le bois puisse travailler. Si le climat est cependant chaud et sec, vous pouvez poser les planches très près les unes des autres car elles sèchent encore plus et il se forme des fentes entre les planches.

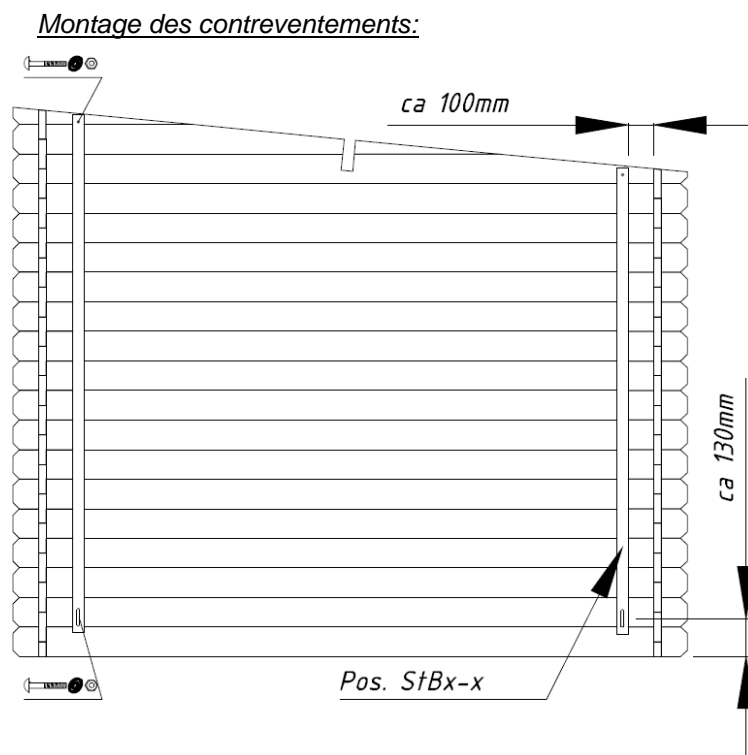
### Contreventements (s'ils font partie de l'étendue de la fourniture!)

Les contreventements doivent être montés à l'intérieur, à l'aide des vis à tête bombée et collet carré fournies, sur la paroi avant (2 contreventements) et sur la paroi arrière (2 contreventements). A ces fins, il est nécessaire de percer préalablement les madriers. Veuillez ici respecter les écartements indiqués sur le plan, afin qu'il n'y ait pas, plus tard, de problèmes avec le travail du bois.

**REMARQUE:** Veuillez à fixer les contreventements en haut sur le madrier du pignon et, en bas, au centre du premier madrier de paroi complet. En cas de besoin, raccourcissez les baguettes du côté supérieur.

Les vis à tête bombée et collet carré ne doivent être serrées qu'à la main, afin que le bois puisse continuer à travailler.

Une fois que la maison s'est bien mise en place, il faut ajuster les fixations, afin que les madriers des parois puissent s'abaisser pour se mettre en place.



### Conseils

**Problème:** *Des fentes se forment entre les madriers*

Cause: Des détails complémentaires qui empêchent la mise en œuvre du bois ont été mis en place sur les parois.

Solution: Si la fenêtre/la porte sont fixées aux madriers des parois par des vis/clous, les retirer.  
Si les contreventements sont vissés de façon trop forte sur les madriers, les monter de façon souple.

Si une conduite (d'eau) est montée sur la paroi, monter les fixations de façon souple.

**Problème:** *La fenêtre et les portes coinent*

Cause: La maison/les fondations se sont affaissées.

Solution: Vérifiez si la maison est de niveau. Remettre les longrines et les parois à l'état horizontal.

Cause: Les fenêtres et les portes ont gonflé sous l'influence de l'humidité.

Solution: Régler les charnières de la porte/de la fenêtre; en cas de besoin, raboter plus la porte/la fenêtre.



**Nous vous souhaitons beaucoup de moments heureux, une installation réussie et beaucoup d'années joyeuses dans votre maisonnette!**

## 1 Instrukcja montażu



**Drogi kliencie,**

Dziękujemy za wybór naszego domu ogrodowego!

**Przed montażem prosimy o dokładne zapoznanie się z instrukcją!** Pozwoli to uniknąć problemów i oszczędzi czas. Dokumentację załączoną do produktu należy zachować.

### Zalecenia:

- Przed przystąpieniem do montażu opakowanie z domem należy przechowywać w suchym miejscu, nie w bezpośrednim kontakcie z podłożem i zabezpieczone przed czynnikami atmosferycznymi (wilgoć, słońce, itp.) Nie należy przechowywać opakowania z produktem w ogrzewanym pomieszczeniu!
- Wybierając miejsce na dom ogrodowy upewnij się, że dom nie będzie wystawiony na szkodliwe działanie warunków atmosferycznych (silnego wiatru, itp.)



### Gwarancja

Dom ogrodowy jest wykonany z wysokiej jakości drewna świerkowe i dostarczany w postaci naturalnej (nieprzetworzonej). Przeprowadzamy dokładną kontrolę jakości naszych produktów, jednak w przypadku znalezienia jakiejś wady, prosimy przesłać wypełnioną kartę kontrolną wraz z załączoną fakturą.

**UWAGA: Dokumentację dołączoną do produktu należy zachować! Na karcie kontrolnej zamieszczono numer kontrolny domu. Uznajemy wyłącznie reklamacje, w których podano numer kontrolny domu.**

Gwarancja nie obejmuje:

- Naturalnych osobliwości drewna
- Elementów drewnianych, które zostały pomalowane (zabezpieczone preparatem)
- Elementów drewnianych zawierających gałęzie, które nie mają wpływu na stabilność domu
- Naturalnych różnic w kolorze i strukturze drewna
- Drobnych pęknięć / szczelin w drewnie, spowodowanych jego wysychaniem, które nie mają wpływu na strukturę domu
- Wygiętych elementów drewnianych, które da się zamontować
- Listew podłogowych i dachowych, które w partiach zasłoniętych są miejscowo niedoszlifowane, odbarwione lub osłabione
- Wad spowodowanych wadliwym montażem domu lub zapadnięcia domu wywołanego niewłaściwie wykonanymi fundamentami
- Reklamacji spowodowanych dokonywaniem własnych przeróbek domu lub niewłaściwym malowaniem drewna, takich jak odkształcenia elementów drewnianych, drzwi/okien, oraz zbyt ciasnym dokręceniem uchwytów, drzwi dokręconych do bali ścian, itp.

**Rozpatrzone pomyślnie reklamacje objęte gwarancją oznaczają wymianę uszkodzonego/wadliwego elementu. Inne żądania nie będą uwzględnione.**





## Malowanie i konserwacja domu ogrodowego

Drewno jest naturalnym materiałem, który pracuje i zmienia się pod wpływem warunków atmosferycznych. Większe i mniejsze pęknięcia, przebarwienia oraz zmiany struktury drewna nie są wadami a jedynie częścią naturalnego procesu przemian materiału.

Drewno pozostawione na jakiś czas bez zabezpieczenia szarzeje, a z czasem robi się niebieskie i pleśniej. Aby temu zapobiec, należy zabezpieczyć odpowiednim preparatem wszystkie drewniane elementy ogrodu natychmiast po zakupie.

Zalecamy uprzednie pokrycie desek podłogowych bezbarwnym środkiem do impregnacji drewna, zwłaszcza dolną stronę desek, do których po zmontowaniu domu dostęp nie będzie możliwy. Jedynie takie postępowanie zapobiegnie przedostawaniu się wilgoci.

Zdecydowanie zalecamy również zabezpieczenie drzwi i okien środkiem do impregnacji drewna, wewnątrz i na zewnątrz. W przeciwnym wypadku okna oraz drzwi mogą się wyprężyć.

Po zakończeniu montażu zaleca się wykończenie domu warstwą farby odpornej na szkodliwe działanie warunków atmosferycznych, która ochroni drewno przed wilgocią i promieniowaniem UV.

Podczas malowania używaj wyłącznie wysokiej jakości narzędzi i farb, przestrzegaj instrukcji producenta i środków ostrożności. Nigdy nie maluj na dużym słońcu ani podczas deszczu.

Właściwe pomalowanie domku ogrodowego wydłuży jego żywotność. Zalecamy dokładne oględziny domku co sześć miesięcy.

## 2 Przygotowanie do instalacji

### T Narzędzia i przygotowanie

Do montażu domu ogrodowego potrzebne będą następujące narzędzia:



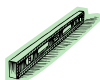
przrząd montażowy



drabina



młotek



poziomica



śrubokręt



piła



nóż



miarka



kombinerki



zestaw wiertel



pilnik



klucz francuski



ołówek

**PORADA:** Aby zapobiec skaleczeniom drzazgami, zalecamy używanie rękawic ochronnych podczas montażu.

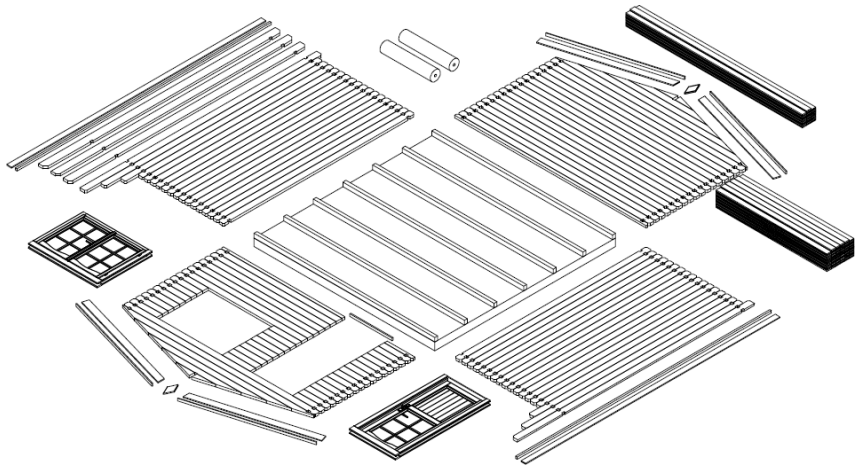
# Instrukcja instalacji

---

## Przygotowanie elementów:

Posegregować elementy zgodnie z planami ścian (patrz Specyfikacja techniczna) i umieścić je po czterech stronach domku według sekwencji instalacji.

**UWAGA:** Nigdy nie umieszczać elementów bezpośrednio na trawie lub błotnistej powierzchni, ponieważ może to utrudnić lub uniemożliwić ich wyczyszczenie!



## Fundament

Odpowiedni fundament to najważniejszy aspekt zapewniający długotrwałość i bezpieczeństwo domu. Jedynie całkowicie równy, prostokątny i wytrzymały fundament zapewni bezproblemową instalację domu, jego stabilność, a w szczególności możliwość dopasowania drzwi. Dzięki odpowiedniemu fundamentowi dom przetrwa więcej lat.

Przygotować fundament w taki sposób, by jego górna krawędź wystawała nad ziemię na wysokość przynajmniej 5 cm. Jednocześnie należy upewnić się, że pod podłogą domku znajduje się odpowiednia ilość otworów zapewniających wentylację.

Zalecamy następujące rozwiązania:

- Ława fundamentowa lub szklanki betonowe
- Fundament z betonu lub płyt chodnikowych
- Wylewka betonowa

Przygotować fundament w taki sposób, by legary były podparte po każdej stronie, z przerwami nieprzekraczającymi 50-60 cm.

Należy zasięgnąć opinii eksperta w tej dziedzinie lub zamówić wykonanie fundamentu u specjalisty.

## 3 Instalacja domku ogrodowego

### **UWAGA:**

- Pakiet zawiera również 2-3 oznaczonych klocków do uderzania młotkiem (profil ściany o długości około 20-30 cm).

Wspomniane powyżej detale NIE ZNAJDUJĄ SIĘ na liście specyfikacji.

Na rysunkach detale oznaczono trzycyfrowymi numerami poszczególnych pozycji. Dokładne pozycje detali posiadających "x" jako trzecią liczbę znajdują się na liście specyfikacji.

# Instrukcja instalacji

## Rama podstawy (legary fundamentu)

Rama podstawy domu musi być całkowicie płaska i równa, by zapewnić prawidłową instalację.

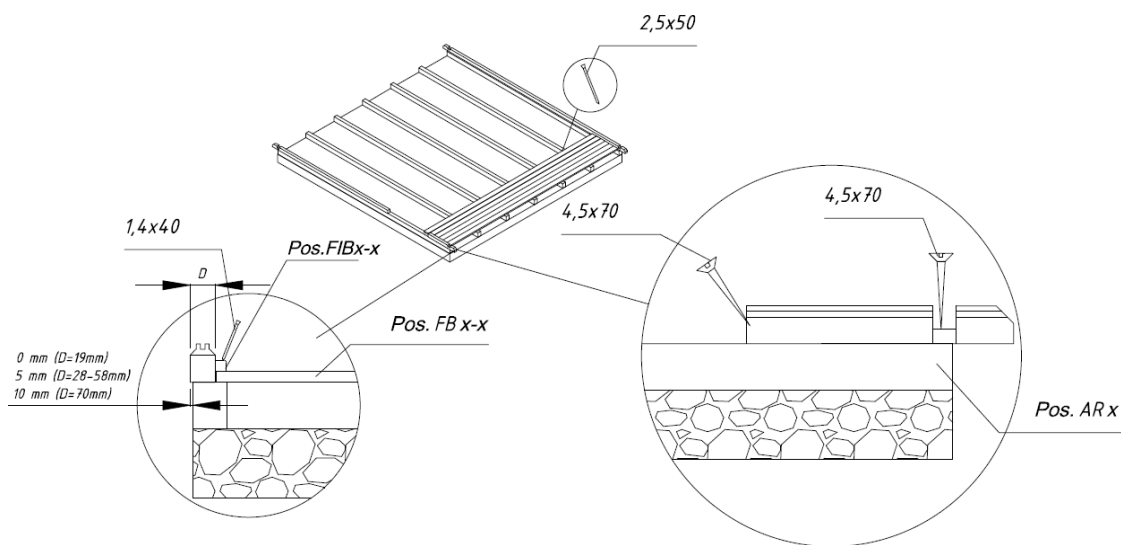
**UWAGA:** dla różnych domów konieczne może być odmienne rozmieszczenie fundamentów - patrz załączony rysunek ramy podstawy (w Specyfikacji technicznej)!

Zgodnie z rysunkiem umieścić zaimpregnowane legary fundamentów na przygotowanym fundamencie w równych odstępach. Przed skręceniem legarów upewnić się, że są wyrównane i prostokątne.

**PORADA:** Zaleca się umieszczenie przeciwwilgociowej warstwy izolacyjnej pomiędzy legarami i fundamentem, by ochronić dom przed wilgocią i niszczeniem.

**PORADA:** By zapewnić ochronę przed wiatrem i nawałnicami, zaleca się przymocowanie legarów do fundamentu (można do tego użyć np. metalowych kątowników lub kotew, itd.). Przeznaczone do tego materiały nie zostały zawarte w dostarczonym zestawie!

### Instalacja legarów:



## Ściany

Podczas instalowania ścian należy pamiętać, że:

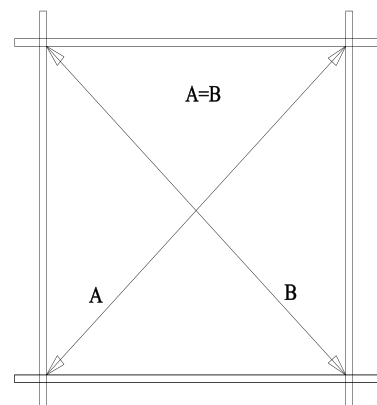
- Belki należy zawsze instalować wypustkami skierowanymi w górę!
- W razie konieczności skorzystać z klocka i młotka! Nigdy nie uderzać wypustek bezpośrednio młotkiem!

Zainstalować ściany zgodnie z załączonymi planami ścian (patrz Specyfikacje techniczne).

Najpierw umieścić połowę belek ściany przedniej i tylnej we właściwym miejscu oraz przymocować je śrubami do legarów. Następnie zainstalować belki ścian bocznych. Upewnić się, że pierwsza warstwa belek nieznacznie wystaje ponad legary fundamentu - belki powinny wystawać 3-5 mm nad legarami. Umożliwi to ochronę domu przed wilgocią, ponieważ woda deszczowa będzie mogła swobodnie spływać na ziemię.

**UWAGA:** Po zainstalowaniu pierwszej warstwy belek zmierzyć przekątne i w razie konieczności zainstalować belki ponownie. Jedynie przekątne o jednakowej długości mogą utworzyć prostokątną ramę podstawy, co umożliwi połączenie belek.

### Pierwsza warstwa belek:



# Instrukcja instalacji

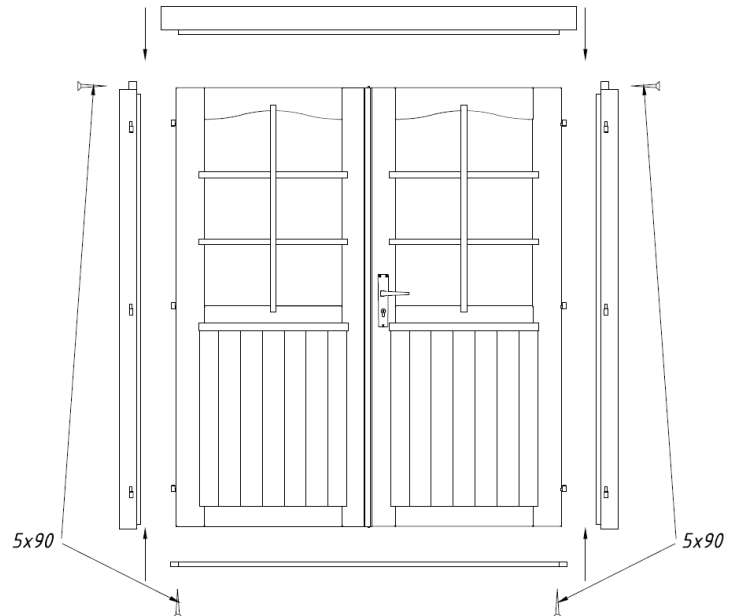
Kontynuować instalację ścian mocno wciskając jedną belkę w drugą. W razie konieczności skorzystać z klocka i młotka. Jednocześnie należy pamiętać, by rozpocząć instalację od drzwi i okien. Należy rozpocząć instalację drzwi po umieszczeniu 5-6 warstw belek.

## Okna i drzwi

### Futryna:

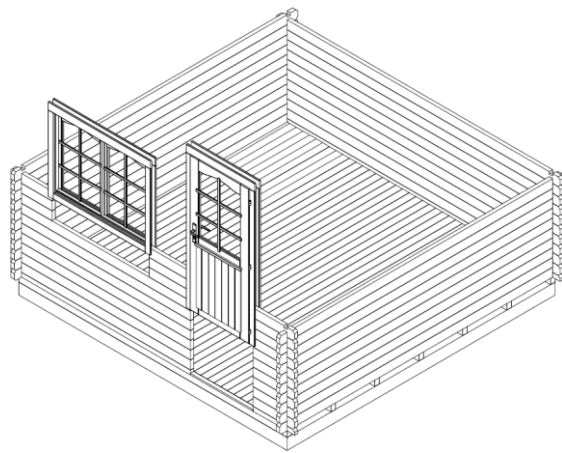
- W przypadku drzwi dwuskrzydłowych futryna zostanie dostarczona w oddzielnych częściach ze względu na ograniczenia transportowe. Należy rozpocząć od jej złożenia.
- By to zrobić, należy złożyć 4 części futryny i skręcić je ze sobą.
- Upewnić się, że część framugi z głębszym rowkiem odwrócona jest ku górze. Części ościeżnicy poziomej mają zawiasy i posiadają lustrzane odbicie.
- Zaleca się instalację skrzydła drzwi w późniejszym czasie.
- W przypadku drzwi jednoskrzydłowych ościeżnica i skrzydło dostarczane są w postaci zmontowanej.

### Instalacja futryny (konieczna tylko w przypadku drzwi dwuskrzydłowych!):



### Instalacja drzwi:

Futryna umieszczana jest w utworzonej szczelinie i wciskana z siłą na dolną belkę. W przypadku drzwi dwuskrzydłowych, umieścić skrzydła na zawiasach już w tym momencie. By zamykać i otwierać drzwi, zamontować oddzielnie zapakowany zamek i klamkę.



### Instalacja okien:

Kontynuować instalację belek ściany aż do wysokości okna. Plany ściany (patrz Specyfikacja techniczna) pokazują, liczbę belek, które należy umieścić pod oknem. Zainstalować okna w sposób podobny do drzwi. Tak samo jak w przypadku drzwi, używając siły należy wcisnąć ramę okna z oknem w przeznaczony do tego otwór w dolnej belce. Upewnić się, że okno nie jest zamocowane odwrotnie (do góry nogami).

**PORADA:** Należy upewnić się, że drzwi i okna otwierają się we właściwym kierunku. Drzwi zawsze otwierają się od **na zewnątrz**. Okna obrotowo-uchylne otwierają się **do wewnątrz**. Okna obrotowe i przesuwne otwierają się **na zewnątrz** (uchwyty okienne są wewnątrz).

# Instrukcja instalacji

**UWAGA:** Przymocowywanie drzwi i okien do belek ścian nie jest konieczne! W przypadku potrzeby mocowania, wystarczy przymocować je przy użyciu kilku śrub w dolnej części ramy, ponieważ belki będą się obniżyć w miarę wysychania.

Można finalnie dopasować drzwi i okna dopiero po 2-3 tygodniach od zainstalowania domu, gdy dom dostosuje się do warunków pogodowych, a belki osiadną.

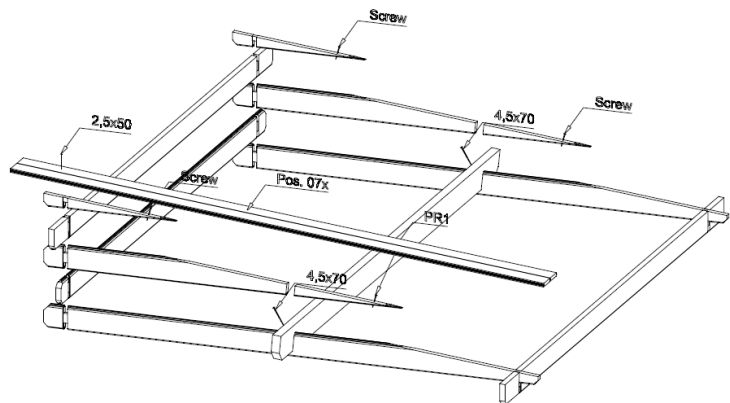
## Szczyt

W większości przypadków szczyt dostarczany jest w jednej części (uwaga: w niektórych domach szczyt może składać się z kilku części! W takim przypadku części muszą zostać skrócone przed wykonaniem innych czynności). Po zainstalowaniu ostatnich belek ścian, umieścić szczyt na przednich i tylnych ścianach i przymocować go śrubami.

Szczyty mają wcięcia na krokwie. Krokwie również mają odpowiednie wcięcia, umożliwiające pewne umieszczenie dachu w odpowiednim miejscu.

Umieścić krokwie w odpowiednich Instalacja krokwi: wcięciach szczytów.

Upewnić się, że belka górnej ściany, szczyty i krokwie są wyrównane. Po umiejscowieniu krokwi, przykręcić je od góry do szczytu.



**UWAGA:** Jeśli belki ściany nie są odpowiednio dociśnięte do siebie, bez żadnych szczelin, górna belka ściany może nie znaleźć się na poziomie szczytów. W takim przypadku należy stukać w belki ściany według potrzeby lub umieścić szczyt lub belkę ściany bocznej niżej.

## Dach

Przed zainstalowaniem desek dachowych upewnić się, że dom jest całkowicie wyrównany. Skorzystać z poziomicy wodnej, by sprawdzić wszystkie ściany.

**UWAGA:** Po umieszczeniu dachu skorzystać ze stabilnej drabiny. Nie wchodzić na dach, ponieważ struktura może utrzymać jedynie równomierne rozłożenie ciężaru (śnieg, wiatr, itd.), a nie obciążenie punktowe!

Rozpocząć instalację desek dachowych od **przedniej krawędzi dachu**. Delikatnie stukać w deski i przytwierdzić je gwoździami od góry i dołu do krokwi oraz górnej części ściany.

**UWAGA:** Nie dociskać desek dachowych zbyt mocno, by uniknąć powstawania wybrzuszeń powodujących gromadzenie się wilgoci. Pozostawić przerwę pomiędzy deskami wynoszącą około 1 mm, by umożliwić napuchnięcia.

- Podczas instalowania desek dachowych upewnić się, że wierzchołki krokwi nachodzą na siebie, a boki okapu dachu wystają na jednakową odległość. Należy to sprawdzić przy użyciu liny lub bocznej listwy okapu dachu, która może zostać zainstalowana dla weryfikacji.
- Deski dachowe muszą być równe z końcami krokwi z przodu i z tyłu. W razie konieczności wąsko przyciąć piłą ostatnie belki dachu, by wyrównały się z krokwią.

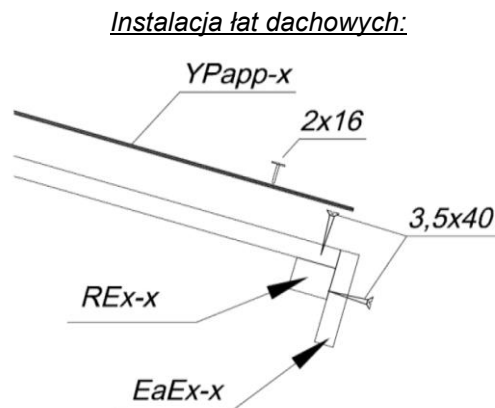
# Instrukcja instalacji

---

Po zainstalowaniu desek dachowych należy przymocować papę bitumiczną oraz łąty dachowe.

**W tabeli elementów pokazano czy do danego domu dołączono materiał pokrywający dach oraz łąty!**

Najpierw przykręcić śrubą wzmocnienia krawędziowe dachu oraz krawędzie listwy okapu pod końcami desek dachowych. Następnie zainstalować materiał pokrywający dach.



Materiał pokrywający dach (Uwaga! Nie jest dołączony do wszystkich rodzajów domów!)

Pociąć papę bitumiczną na kawałki zgodnie z długością dachu, a następnie mocować je równoległe do dolnej krawędzi dachu, przesuwając się w stronę wierzchołka i umieszczając kawałki papy w kierunku od ściany tylnej do przedniej. Papa powinna wystawać poza krawędź na około 2-4 cm. Przymocować papę bitumiczną do desek dachowych za pomocą gwoździ do papy, zachowując odległość wynoszącą około 15 cm. Upewnić się, że kawałki papy nachodzą na siebie co najmniej na szerokość 10 cm.

## Podłoga

Dopiero po zakończeniu instalacji domu można zamontować deski podłogowe, co pozwoli uniknąć niepotrzebnego zabrudzenia podłogi.

Umieścić belki podłogowe na ramie podstawy, delikatnie je postukać, a następnie używając siły, przybić gwoździami do legarów fundamentu. W razie konieczności przyciąć ostatnią deskę podłogową do odpowiedniej szerokości.

Ostatnią czynnością jest dopasowanie listw przypodłogowych, by zakryć przestrzeń pomiędzy deskami podłogowymi i ścianami. W razie konieczności przyciąć listwy podłogowe do odpowiedniej szerokości.

**UWAGA:** W zależności od klimatu panującego w miejscu instalacji domu, deski podłogowe mogą puchnąć lub kurczyć się. Jeśli deski podłogowe są suche, a klimat wilgotny, z łatwością będą pochłaniać wilgoć. W takim przypadku nie należy ciasno mocować desek, by uniknąć powstawania wyrzuceń. Zostawić przestrzeń (1-2mm) pomiędzy deskami podłogowymi, by umożliwić puchnięcie. Jeśli klimat jest ciepły i suchy, można zainstalować deski ciasno, ponieważ będą wysychać i mogą pojawić się między nimi odstępy.

# Instrukcja instalacji

**Klamry burzowe** (Uwaga! Nie są załączone do zestawów w niektórych domach!)

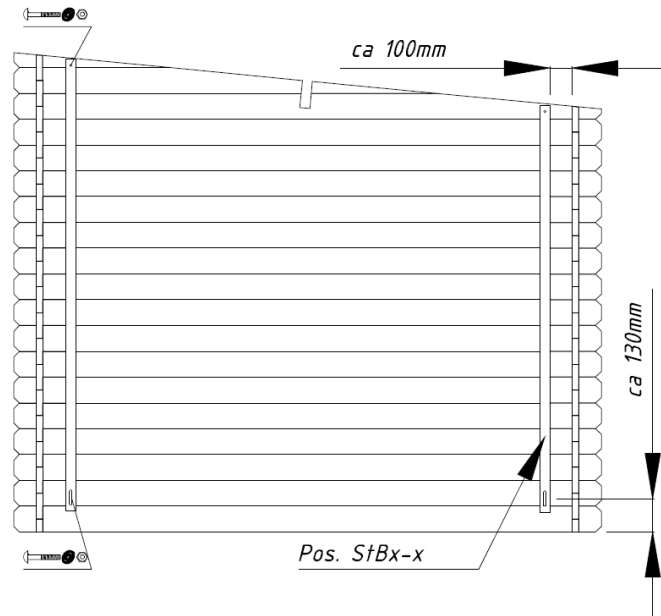
Przymocować klamry burzowe (jeśli znajdują się w dostarczonym zestawie) do wewnętrznych (2 jednostki) i tylnych (2 jednostki) stron ścian za pomocą dostarczonych sworzni. Ważne jest, by belki zostały przewiercone wcześniej. Należy zachować odległości wskazane na rysunku, by nie doszło do powstania problemów spowodowanych puchnięciem lub kurczeniem się drewna.

**PORADA:** Upewnić się, że klamry burzowe zostały przymocowane od góry do belki na wierzchołku oraz od dołu do środkowej części pierwszej belki ściennej o pełnej długości. W razie konieczności skrócić górne krańce łąt dachowych.

Nie przykręcać śrub zbyt ciasno, by drewno mogło puchnąć lub kurczyć się.

Gdy dom osiadnie, należy dostosować mocowania, by belki ścian mogły również osiąść.

## Instalacja klamer burzowych:



## Zalecenia ogólne:

**Problem:** **Pomiędzy belkami ścian pojawiły się przerwy**

Przyczyna: Do domu przymocowane są dodatkowe detale, które nie pozwalają na puchnięcie/kurczenie się drewna.

Rozwiązania: Jeśli drzwi/okna są przymocowane do belek ścian za pomocą śrub/gwoździ, usunąć śruby/gwoździe;  
Jeśli klamra burzowa dokręcona jest za ciasno, poluzować jej mocowanie;  
jeśli rynny deszczowe zamontowane są na ścianie, poluzować ich mocowanie;

**Problem:** **Drzwi i okna zablokowały się.**

Przyczyna: Dom/fundament osiadł.

Rozwiązania: Sprawdzić czy poziom domu jest wyrównany. Wyrównać legary fundamentu i ściany.

Przyczyna: Drzwi i okna spuchły pod wpływem wilgoci.

Rozwiązania: Dopasować zawiasy okien i drzwi; a w razie konieczności, przyciąć okno lub drzwi do węższych rozmiarów.



**Życzymy udanego montażu i wielu radości z korzystania domu przez wiele lat!**