

TP289 TP Picnic Bench

INSTRUCTIONS FOR ASSEMBLY MAINTENANCE AND USE.
PLEASE RETAIN FOR FUTURE REFERENCE.



CE

IMPORTANT

These instructions must be followed for safe assembly and use.
Please retain for future reference.



WARNING!

TOY MUST BE ASSEMBLED BY AN ADULT BEFORE USE.
THIS PRODUCT CONTAINS SMALL PARTS AND IS NOT SUITABLE FOR CHILDREN UNDER 36 MONTHS UNTIL FULLY ASSEMBLED.
CHILDREN MUST NOT USE THE EQUIPMENT UNTIL PROPERLY INSTALLED.
REMOVE ALL PACKAGING BEFORE GIVING TO YOUR CHILDREN.
ONLY FOR DOMESTIC USE. FOR INDOOR/OUTDOOR USE.
ADULT SUPERVISION IS REQUIRED.
THIS PRODUCT IS INTENDED FOR USE BY CHILDREN FROM AGES 18 MONTHS TO 6 YEARS.
MAXIMUM COMBINED USER WEIGHT: 50KG PER SITTING SURFACE



**1 Person
Assembly Build**

INSTRUCTIONS FOR ASSEMBLY, MAINTENANCE AND USE OF TP TOYS

Please read carefully and keep all enclosed information or future reference.

1. ASSEMBLY AND SAFETY INFORMATION

It is made from selected wood which has been pressure treated. This is a process by which preservatives are forced under pressure into the fabric of the timber to protect it from decay and insect damage.

If you do wish to stain your Wooden frame for aesthetic reasons, please use a water-based stain, which is available from any good DIY store. Please follow the instructions provided by the manufacturer of the treatment you select.

Wood is a natural product so it will have knots, splits and imperfections. This is to be anticipated and does not indicate the product is faulty. Wood will also change over time with changes in the weather and atmospheric conditions. Splits will open up and close again. It may warp and twist slightly. Again this is to be expected and does not affect the performance of the product.

The TP product must be erected exactly in accordance with the assembly instructions. Enlisting the aid of a helper will make assembly easier. In order to ensure the correct tensions and to ease assembly, it is important to assemble the product hand tight to begin with.

Only when complete, should the fastenings be fully tightened and checked. This pack may contain small parts and is not suitable for children under 36 months until fully assembled. We recommend that you place small parts on a tray, or something similar, to prevent the frustration and disappointment of mislaying them. Please take care during assembly as the manufacturing process can sometimes result in the occasional sharp edge and small pieces of waste metalwork. Should there be any missing parts, the toy must not be used until replacement parts have been fitted - contact the TP Customer Services: Email: directsales@tptoys.com

2. SITING

The Picnic Bench should be sited on level ground.

3. USAGE

The toy is designed and made for family indoor/outdoor domestic use only. Misuse can result in injury to the child or damage to the product.

4. SUPERVISION

Children should always be supervised while they are playing on TP toys and should be instructed not to use the toy in an inappropriate or hazardous manner. We recommend that they do not wear loose-fitting clothing or jewellery that may catch or snag during play. Children should not wear cycle helmets while playing on TP toys.

5. MAINTENANCE

With all toys it is vital that the equipment is checked regularly and often by an adult. The complete toy should be checked at least once a month, and particular attention should be paid to connections and fastenings. If any parts exhibit signs of wear and tear, they may need to be replaced. Check all nuts and bolts and screws for tightness and tighten when required. Failure to do this may result in the product malfunctioning and causing injury. Children must not be allowed to use the toy until properly installed and checked.

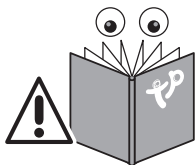
Please protect your product with an annual application of environmentally friendly/child friendly treatment or as recommended in the manufacturer's instructions.

6. FIRE RISKS AND DISPOSAL

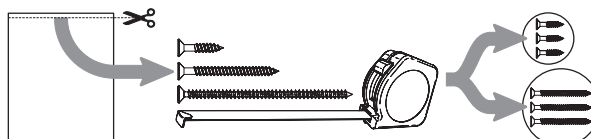
Do not place this product near a fire. When it becomes necessary to dispose of your equipment, remove all bolts/screws and disassemble. Store out of the reach of children until it can be properly disposed of. These instructions are issued in the interest of child safety, and we do ask you to follow our advice.

Instruction Guide

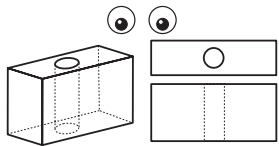
Read Instructions Before Starting



Sort Fixings



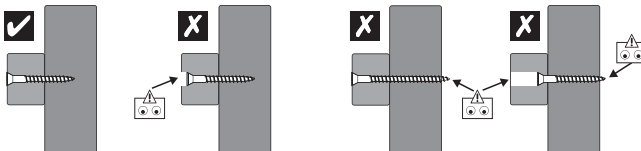
Hidden Lines



Sort Parts



Assembly Tips - Fixings



For assembly advice, email directsales@tptoys.com or call 01525 722769 (office hours).

Contents - Please check

Tools - You will need:



Screwdriver

Pack 1

MW1826 Bench Table Plank 700mm **x3**



MW1827 Bench Support Horizontal 900mm **x2**



MW1828 Bench Seat Plank 700mm **x6**



MW1829 Bench leg 565mm **x4**



MW1830 Central Support 505mm **x1**



MW1831 Bench table Support 409mm **x2**



Subpack - SP1289



M6 x Book Bolt **x16**
FA2856



M6 x 32mm
Book Bolt **x16**
FA1185



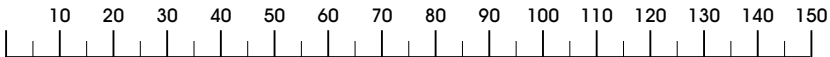
3.5 x 30mm Woodscrew **x18**
FA4513



4.5 x 50mm Woodscrew **x4**
FA9705



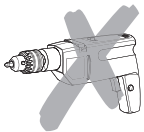
Hex Key **x2**
FA4509



IMPORTANT - Assembly Tip

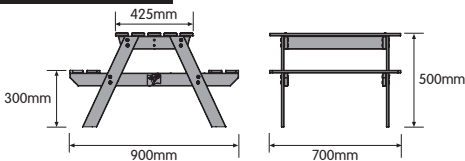


WARNING - All fixings



Do not use Power tools
Excessive force can
crack/split this product.
Hand tighten only.

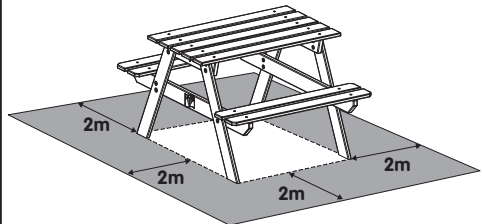
Dimensions



Freespace/Safe Play Diagram

Recommended Free Space:

The Safe Play Area refers to the zone extending 200cm (2 metres) beyond the toy on all sides and 200cm (2 metres) above the toy. The Safe Play Area must be free from all structures, landscaping, trees and branches, rocks, wires, sprinkler heads and other similar obstacles to safe play. Children can be seriously injured running or colliding into such obstacles.



Stage

1



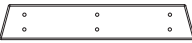
MW1829 Bench leg 565mm **x4**



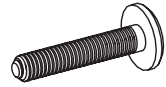
MW1827 Bench Support Horizontal 900mm **x2**



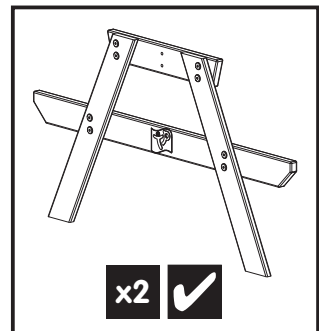
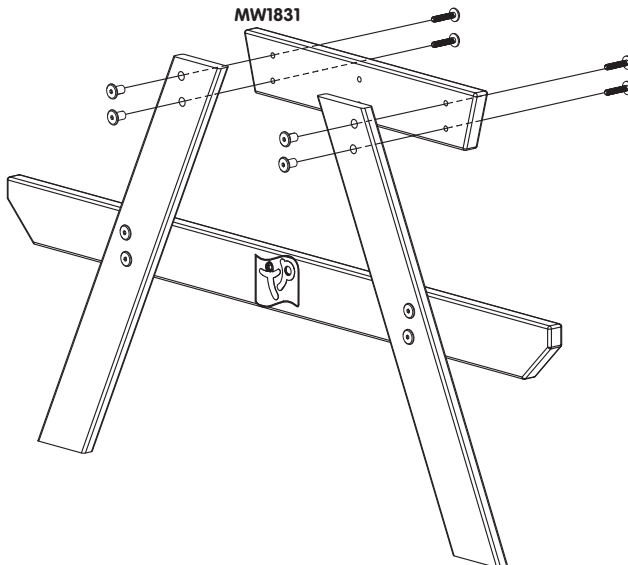
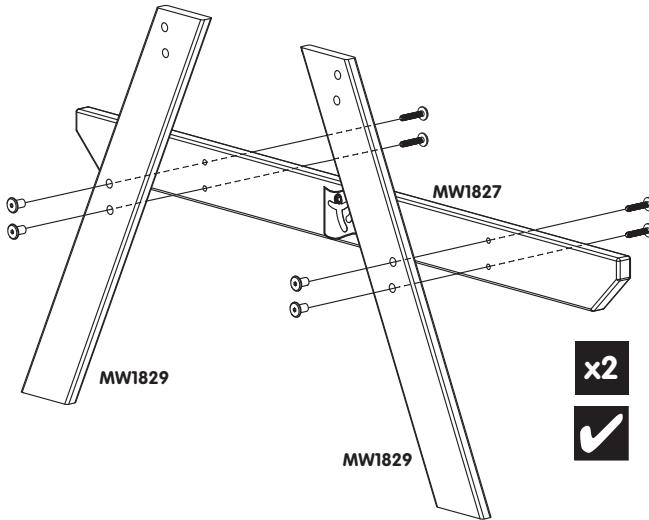
MW1831 Bench table Support 409mm **x2**



M6 x Book Bolt **x16**
FA2856



M6 x 32mm Book Bolt **x16**
FA1185



Stage
2

MW1830 Central Support 505mm x1

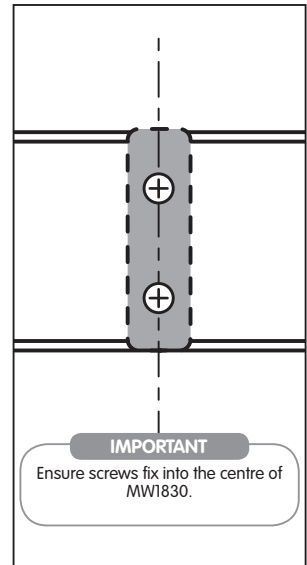
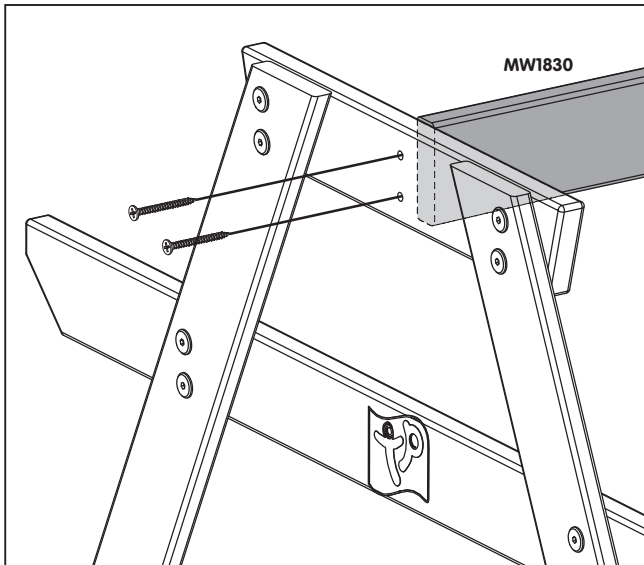
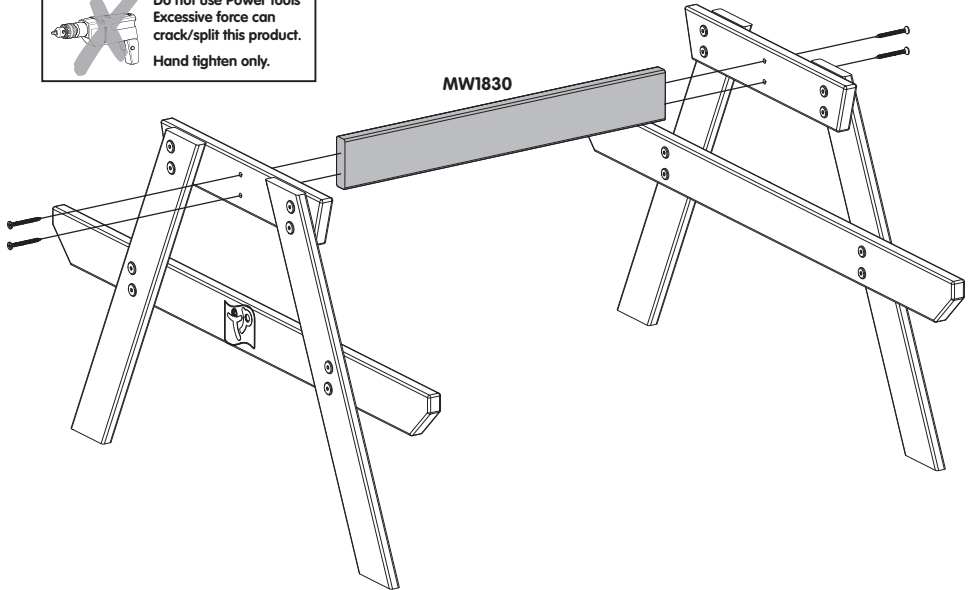


4.5 x 50mm Woodscrew x4
FA9705



 **WARNING - All fixings**

 Do not use Power tools
Excessive force can
crack/split this product.
Hand tighten only.



Stage
3

MW1828 Bench Seat Plank 700mm x4



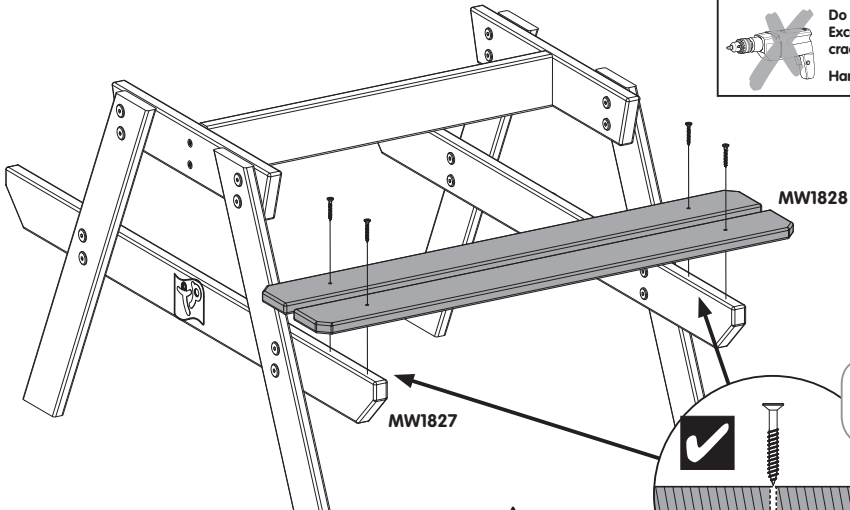
3.5 x 30mm Woodscrew x8
FA4513



WARNING - All fixings



Do not use Power tools
Excessive force can
crack/split this product.
Hand tighten only.



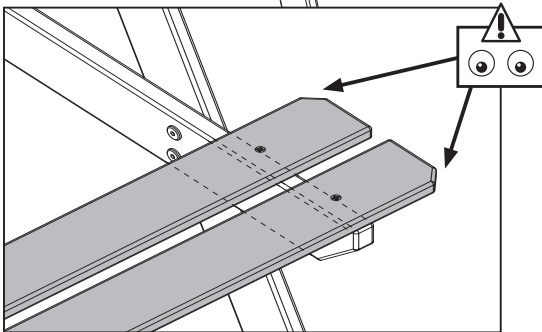
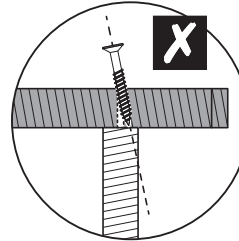
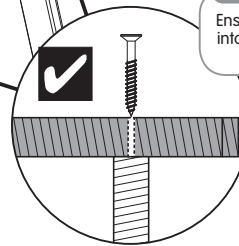
MW1828

MW1827



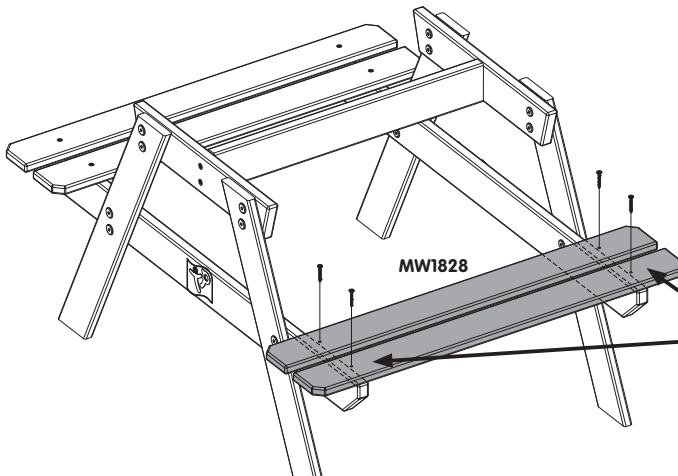
IMPORTANT

Ensure screws fix
into the centre of
MW1827

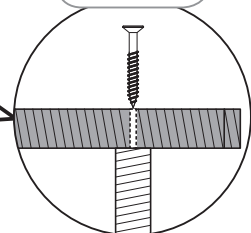


IMPORTANT

Ensure screws fix
into the centre of
MW1827



MW1828



Stage
4



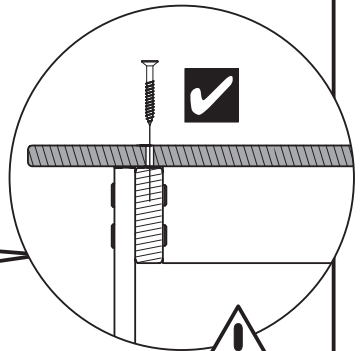
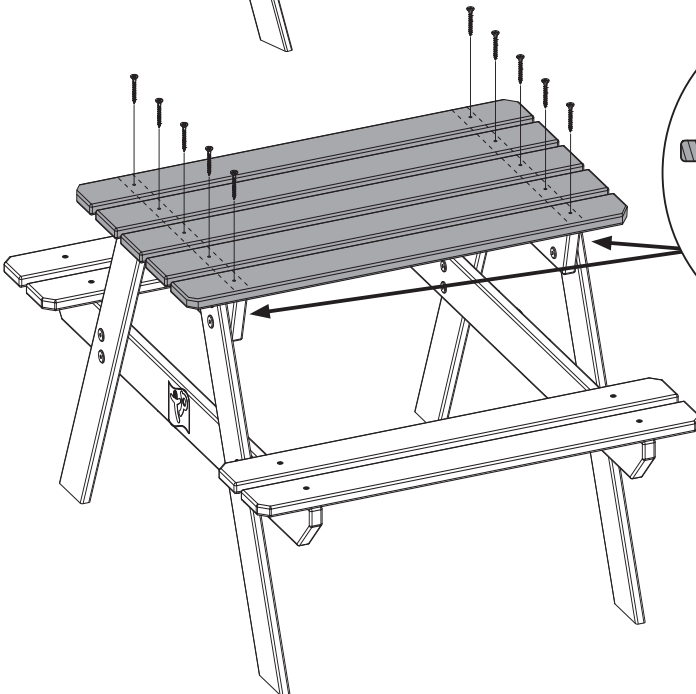
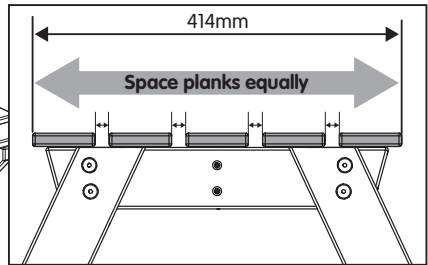
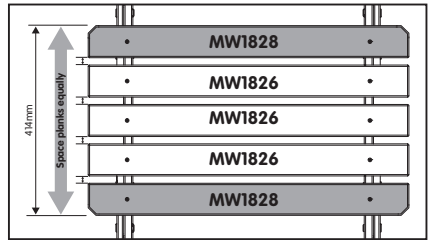
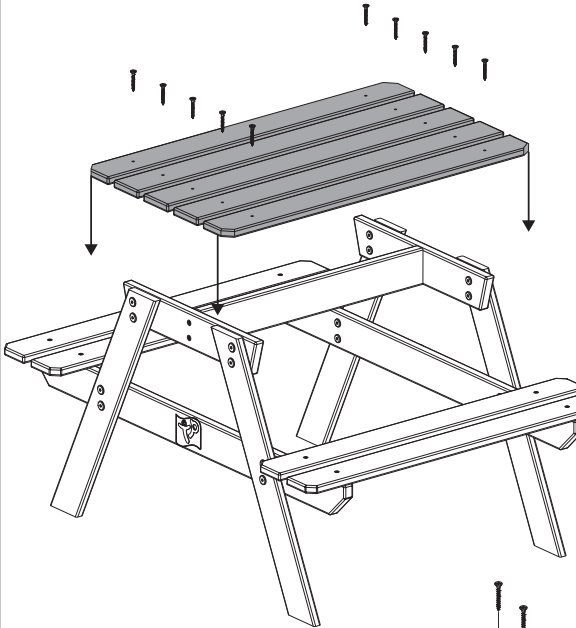
MW1826 Bench Table Plank 700mm **x3**



MW1828 Bench Seat Plank 700mm **x2**



3.5 x 30mm Woodcrew **x10**
FA4513



IMPORTANT
Ensure screws fix
into the centre of
MW1831



Register your new TP product on line now at www.tptoys.com/productregistration

Thank you for purchasing this TP product. To find out all about your product guarantee and register your purchase, please visit www.tptoys.com/productregistration

We want to give you the very best service. By registering your purchase now, we will be able to deal with any guarantee issues very quickly and efficiently in the future. Thank you.

Your TP Guarantee Number/Product Batch No is

Designed in the UK by **Robovision Ltd t/a TP Toys**

Unit 11, Enterprise Way, Flitwick, Bedfordshire, MK45 5BX England

For assembly advice, please email directsales@tptoys.com or call 01525 722769 (office hours).

www.tptoys.com