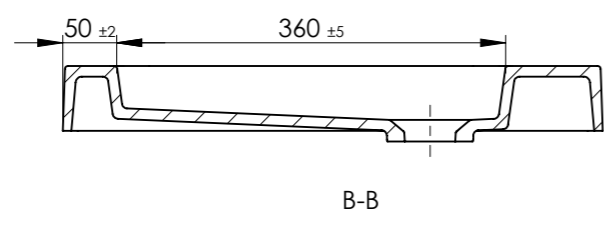
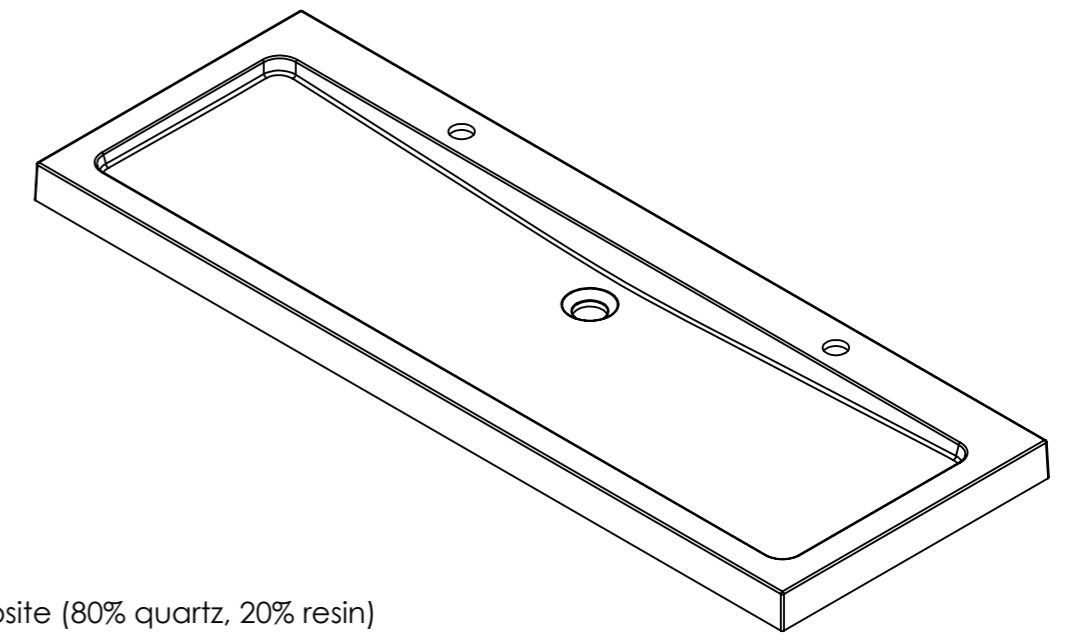
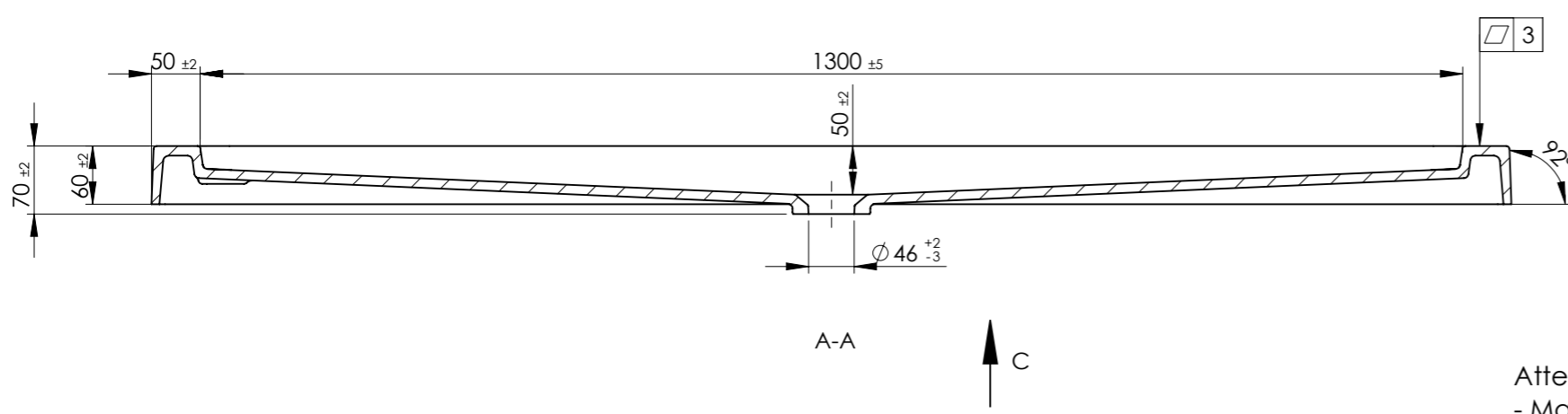




VIEW C
SCALE 1 : 10



Attention:
 - Material: composite (80% quartz, 20% resin)
 - Weigh: 20 KG
 - Color: black metallic
 - Finish: mat
 - The basin should meet requirements for EN31 and EN14688
 - '□' is key size.
 - Other size tolerance:
 0-100: ±2
 100-300: ±3
 >300: ±5

		Signature	Date	Material: Composite			
		Signature	Date	Standard: PN-EN 31; PN-EN 14688;			
Constructed	N.Gąsiorowski	Signature	2020-02-14	 Volume 9509 cm ³	Mass 20kg		
Drawn	N.Gąsiorowski	Signature	2020-02-14			Scale 1:7	Format A3
Checked		Signature					
Approved		Signature					
		WAGRAN Sp. z o.o. 97-200 Tomaszów Maz. ul. Spalska 103/105		Name: HARMON 1400x500x60			
				Number EWHxU2N			