

V21122\_5059340566092\_MAND1\_2223

**1** =

x ?

**EN** IMPORTANT - These instructions are for your safety. Please read through them thoroughly prior to installation and retain them for future reference.

**FR** IMPORTANT - Ces consignes concernent votre sécurité. Merci de les lire attentivement avant l'installation et de les conserver pour référence.

**PL** WAŻNE - Niniejsza instrukcja została opracowana w celu zapewnienia bezpieczeństwa użytkownika. Należy ją dokładnie przeczytać przed montażem i zachować do wykorzystania w przyszłości.

**RO** IMPORTANT - Aceste instrucțiuni sunt pentru siguranța dvs. Vă rugăm să le citiți cu atenție înainte de instalare și să le păstrați pentru consultare viitoare.

[05] x 6

[06a]

[06b]

[06c]

x 2

## Addresses

**Manufacturer • Fabricant • Producător •**

**UK Manufacturer:**

Kingfisher International Products Limited,  
3 Sheldon Square, London, W2 6PX,  
United Kingdom

**EU Manufacturer:**

Kingfisher International Products B.V.  
Rapenburgerstraat 175E  
1011 VM Amsterdam  
The Netherlands  
[www.kingfisher.com/products](http://www.kingfisher.com/products)

**EN** [www.diy.com](http://www.diy.com)  
[www.screwfix.com](http://www.screwfix.com)  
[www.screwfix.ie](http://www.screwfix.ie)

**To view instruction manuals online,**  
visit [www.kingfisher.com/products](http://www.kingfisher.com/products)

**FR** [www.castorama.fr](http://www.castorama.fr)  
[www.bricodepot.fr](http://www.bricodepot.fr)

**Pour consulter les manuels d'instructions**  
**en ligne, rendez-vous sur le site**  
[www.kingfisher.com/products](http://www.kingfisher.com/products)

**PL** [www.castorama.pl](http://www.castorama.pl)

**Aby zapoznać się z instrukcją obsługi online,**  
odwiedź stronę [www.kingfisher.com/products](http://www.kingfisher.com/products)

**RO** [www.bricodepot.ro](http://www.bricodepot.ro)

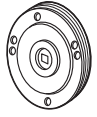
**Pentru a consulta manualele de instrucțiuni**  
**online,**  
vizitați [www.kingfisher.com/products](http://www.kingfisher.com/products)



ÉLÉMENTS D'EMBALLAGE  
À SÉPARER + NOTICE À  
DÉPOSER DANS LE BAC  
DE TRI



# 01A



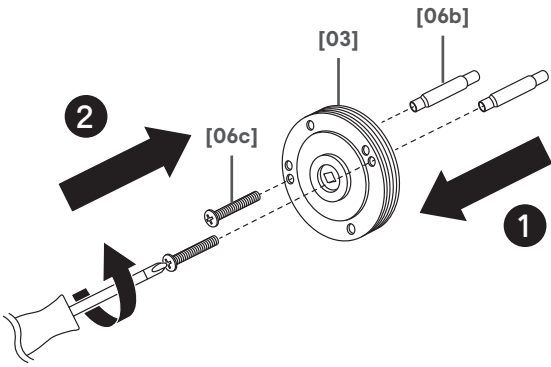
[03] x 2



[06c] x 2



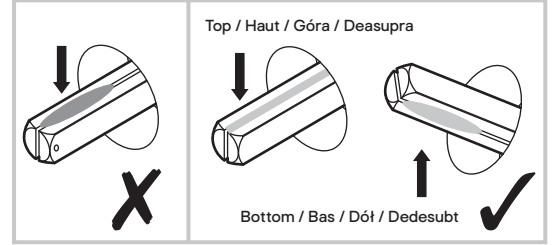
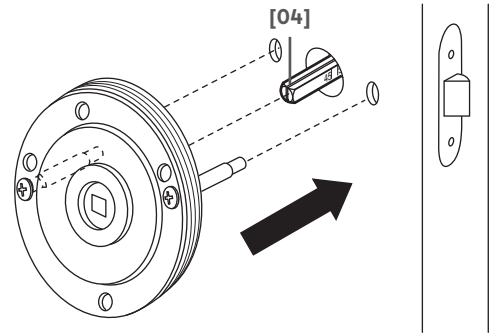
[06b] x 2



# 02A



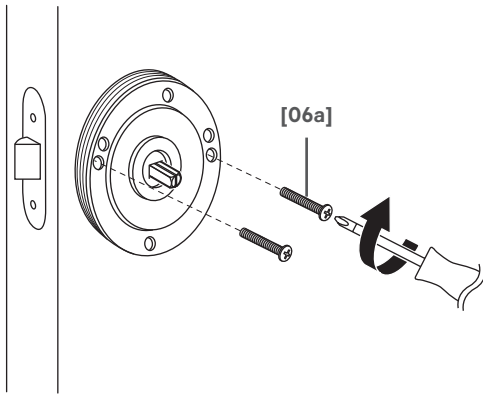
[04] x 1



# 03A



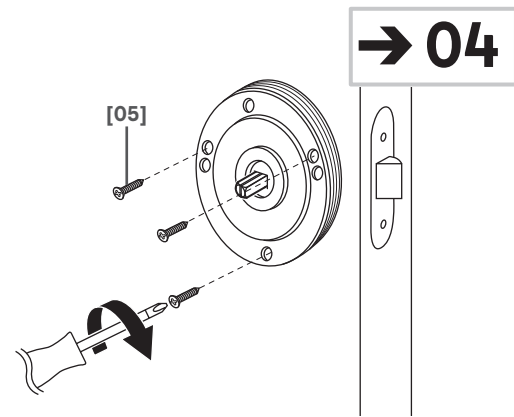
[06a] x 2



# 01B



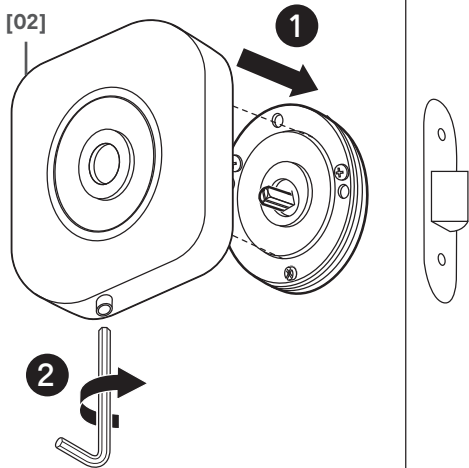
[05] x 6



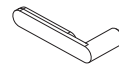
# 04



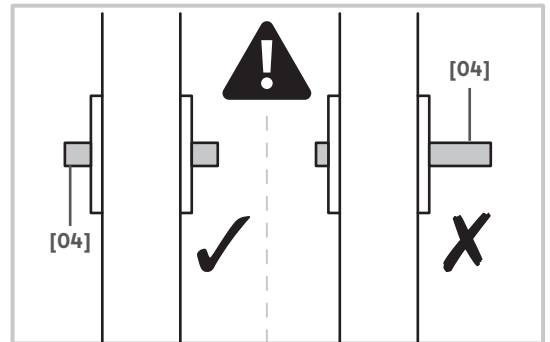
[02] x 2



# 05



[01] x 2



# 06

