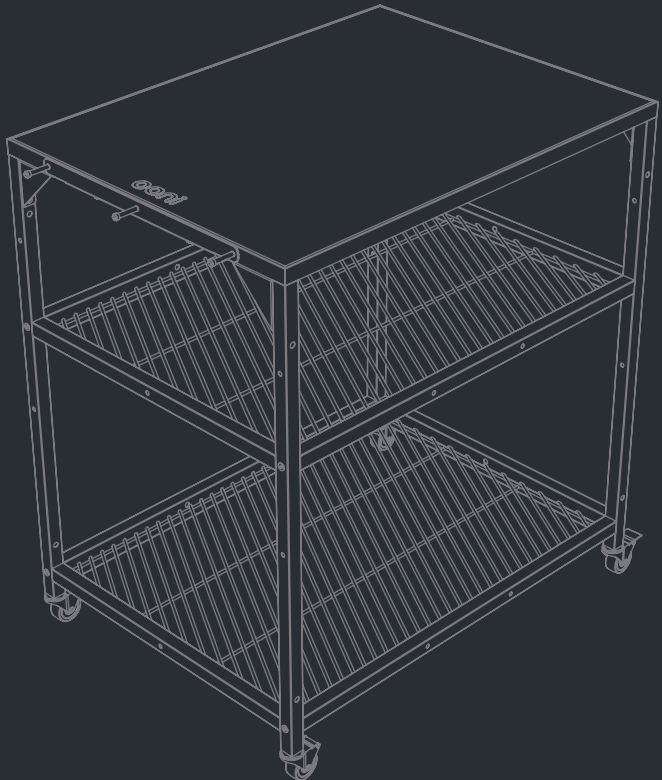




Modular Table - Medium

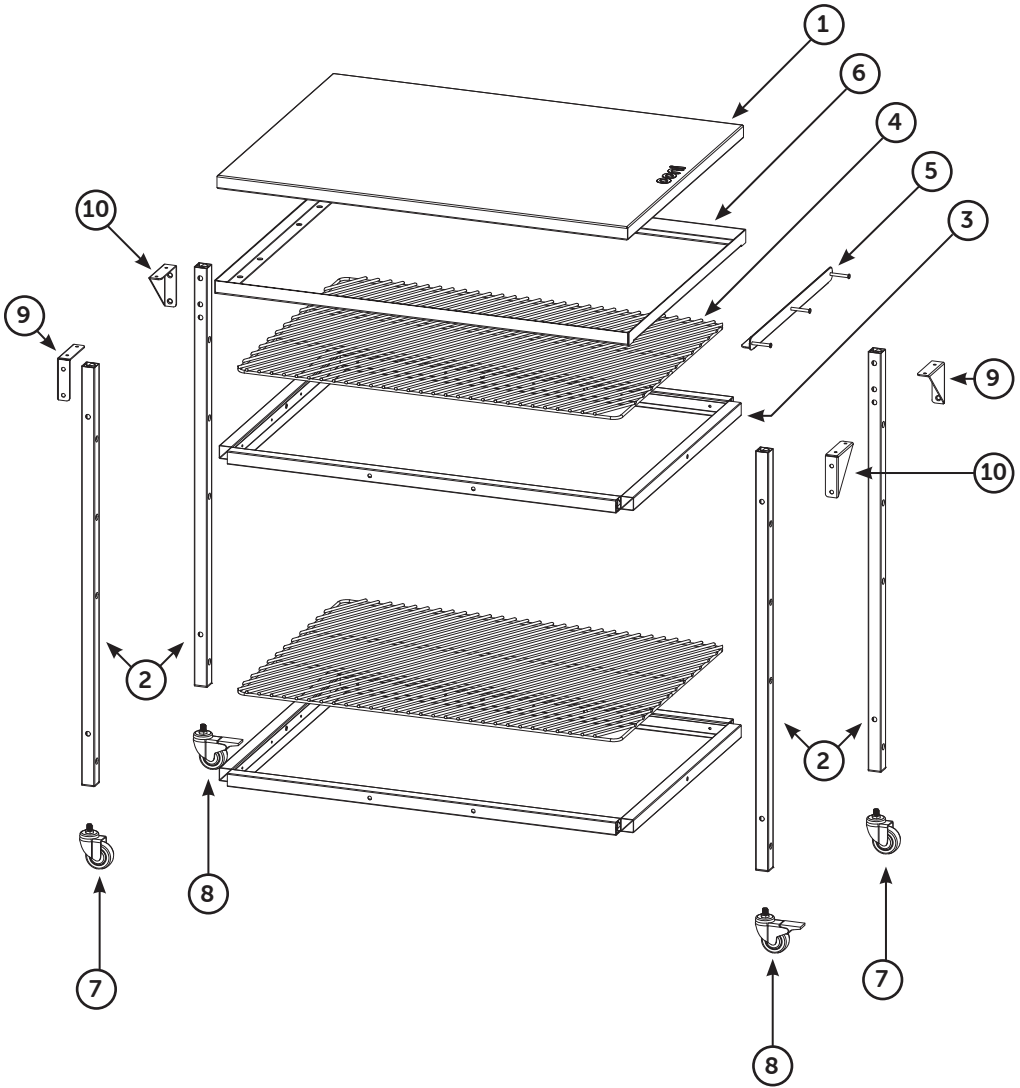
23.6 x 31.5" / 60 x 80 cm





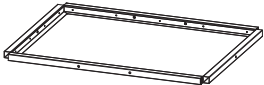
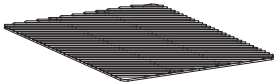
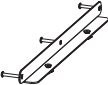








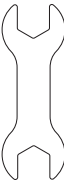



[ooni.com](https://www.ooni.com)

Part numbers



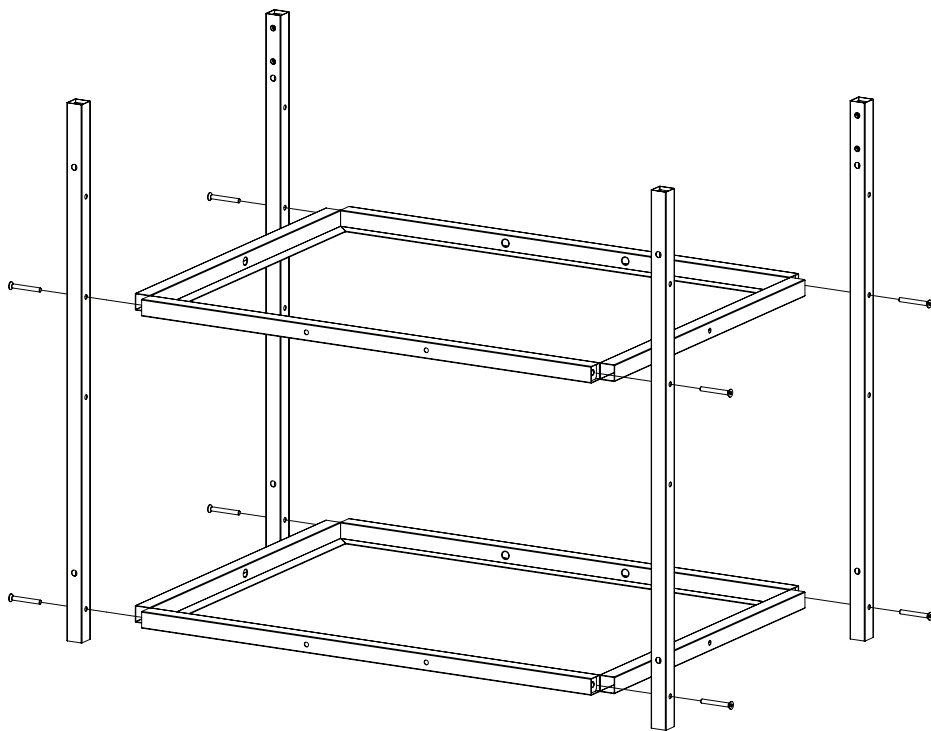
Part list

| | | | |
|--|---|---|---|
| <p>① x1</p>  | <p>② x4</p>  | <p>③ x2</p>  | |
| <p>④ x2</p>  | <p>⑤ x1</p>  | <p>⑥ x1</p>  | |
| <p>⑦ x2</p>  | <p>⑧ x2</p>  | <p>⑨ x2</p>  | <p>⑩ x2</p>  |
| <p>Ⓐ x2</p>  | <p>Ⓒ x8</p>  | <p>Ⓓ x1</p>  | <p>Ⓔ x1</p>  |
| <p>Ⓑ x22</p>  | | | |

Step 1



Ⓒ x8

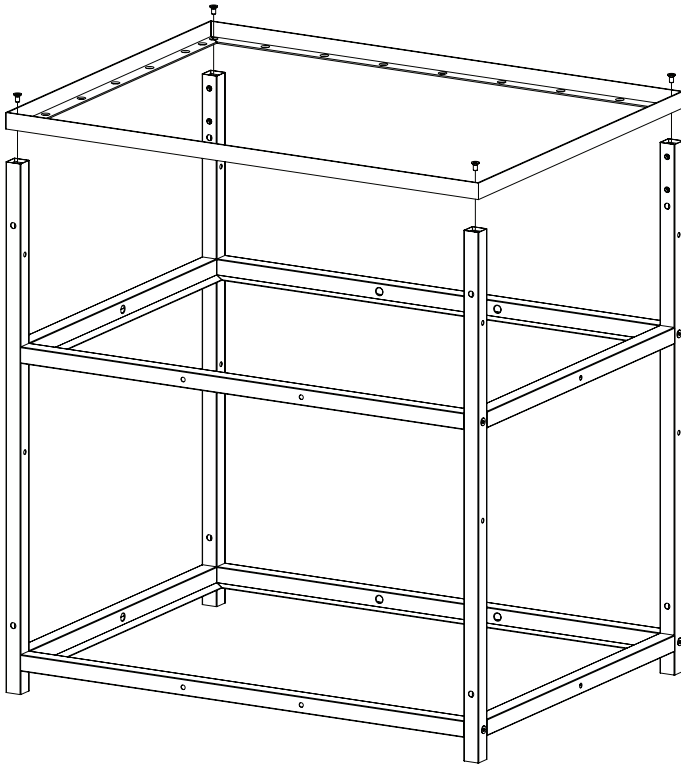


Tighten to 50%
DO NOT over tighten bolts

Step 2




B x4

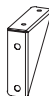


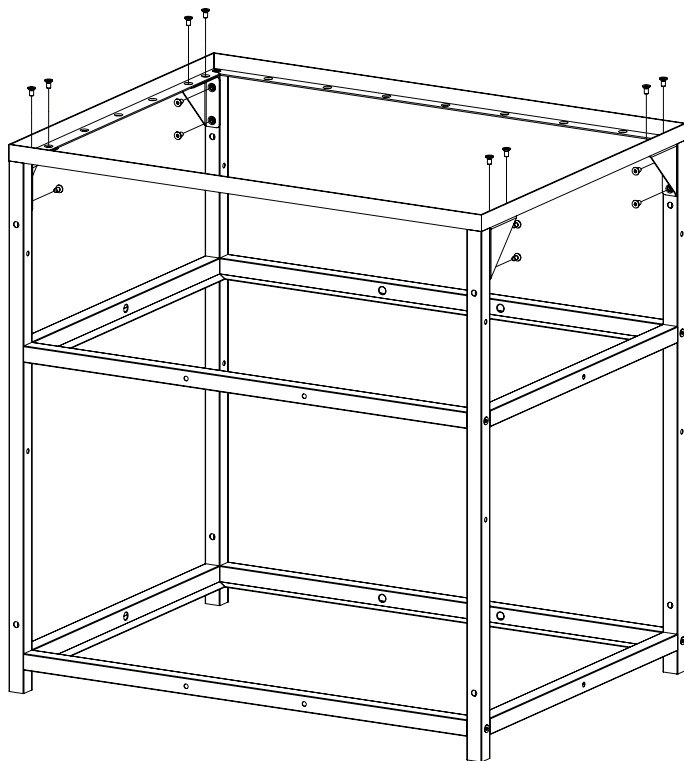
Tighten to 50%
DO NOT over tighten bolts

Step 3

 (B) x16

 (9) x2

 (10) x2



Tighten to 50%
DO NOT over tighten bolts

Step 4



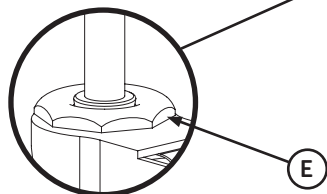
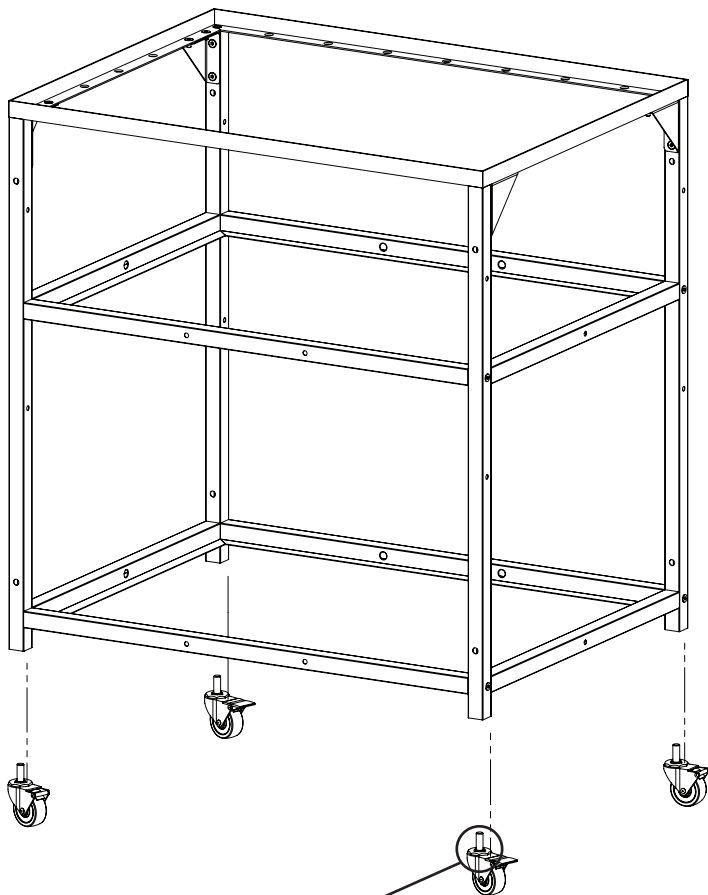
7



E x1



8



E



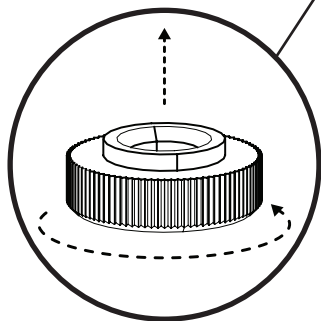
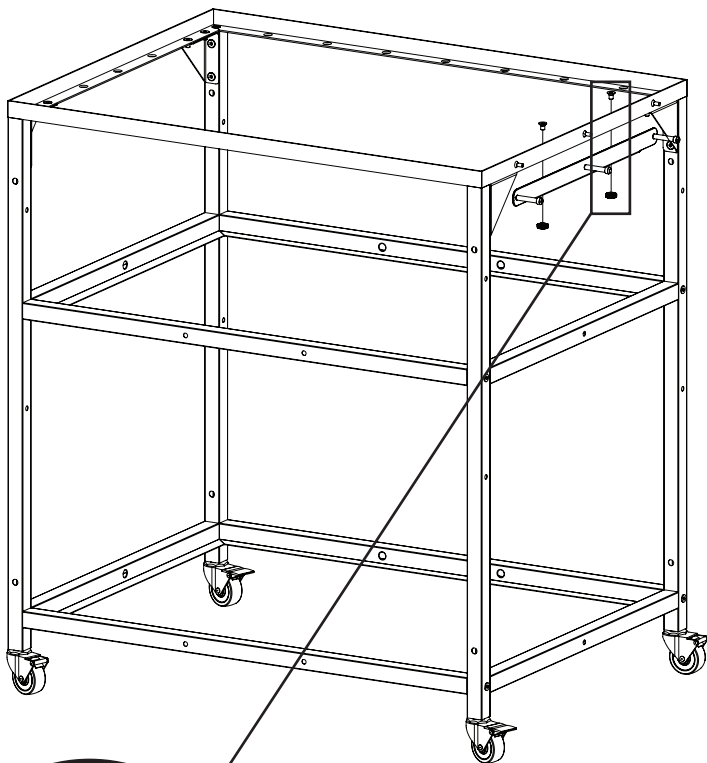
100%

Tighten all bolts 100%
DO NOT over tighten bolts

Step 5

 (A) x2

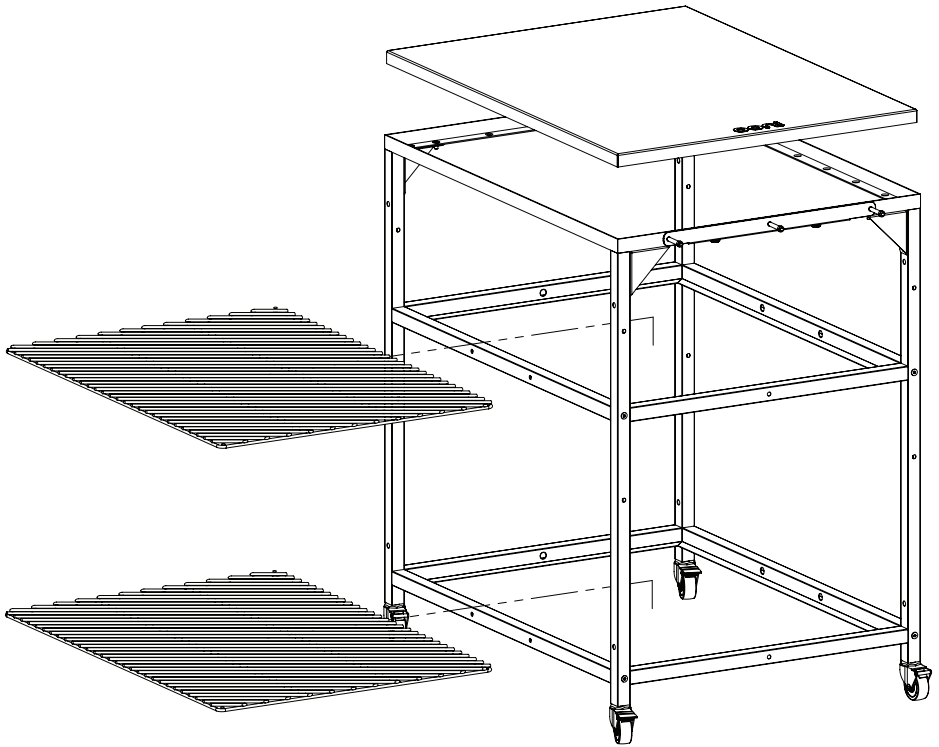
 (B) x2



 100%

Tighten all bolts 100%
DO NOT over tighten bolts

Step 6



ooni.com

© 2021 Ooni

Ooni is a registered trademark of Ooni Ltd.

All rights reserved.