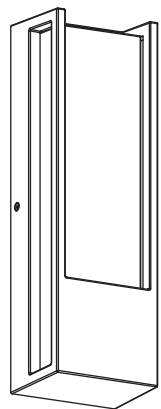
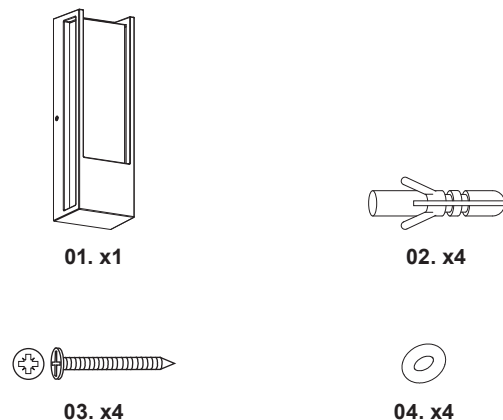


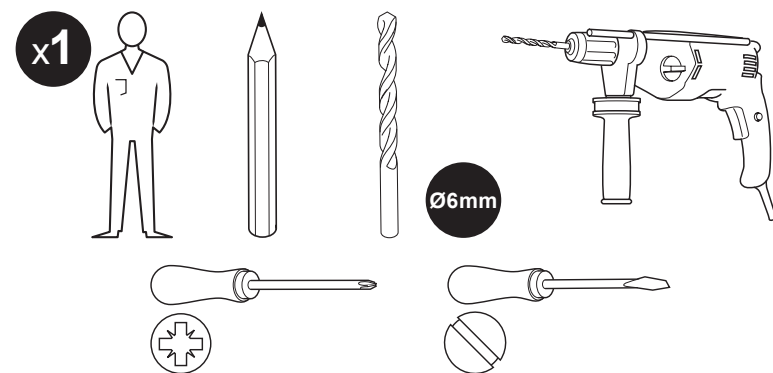
EN Wall Lights  
FR Applique extérieure  
PL Kinkiet  
RO Aplică  
ES Lámpara de pared  
PT Luz de parede  
TR Duvar ışığı



EN Parts FR Pièces PL Części RO Piese ES Piezas  
PT Peças TR Parçalar



EN You will need FR Vous aurez besoin de PL Będziesz potrzebować RO Vei avea nevoie de ES Necesitará PT Vai precisar de TR İhtiyaç duyacaklarınız



EN **IMPORTANT** - These instructions are for your safety. Please read through them thoroughly prior to handling the product and retain them for future reference.

FR **IMPORTANT** : ces instructions sont données pour votre sécurité. Merci de les lire attentivement avant de manipuler le produit et de les conserver pour référence.

PL **WAŻNE** — Niniejsza instrukcja została opracowana w celu zapewnienia bezpieczeństwa użytkownikowi. Należy ją dokładnie przeczytać przed obsługą produktu i zachować do wykorzystania w przyszłości.

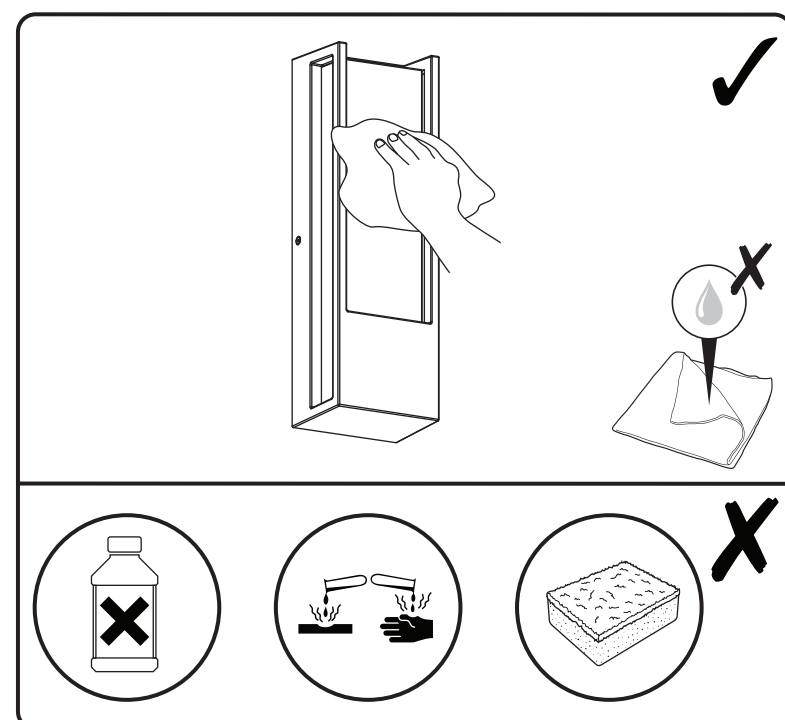
RO **IMPORTANT** - Aceste instrucțiuni sunt pentru siguranța ta. Citește-le cu atenție înainte de montarea produsului și păstrează-le pentru consultare ulterioară.

ES **IMPORTANTE**: Estas instrucciones son para su propia seguridad. Léelas atentamente antes de manipular el producto y guárdelas para futuras consultas.

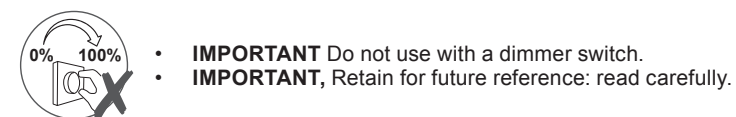
PT **IMPORTANTE** - Estas instruções são para sua segurança. Leia-as atentamente antes de manusear o produto e guarde-as para consultas futuras.

TR **ÖNEMLİ** - Bu talimatlar sizin güvenliğiniz içindir. Ürün üzerinde çalışmaya başlamadan önce lütfen bu talimatları dikkatlice okuyun ve ileride başvurmak üzere saklayın.

EN Care & maintenance FR Entretien et maintenance  
PL Czyszczenie i konserwacja RO Îngrijire și întreținere  
ES Cuidados y mantenimiento PT Cuidados e manutenção TR Bakım ve muhafaza



EN Safety



- **IMPORTANT** Do not use with a dimmer switch.
- **IMPORTANT**, Retain for future reference: read carefully.
- These instructions are for your safety. Please read through them thoroughly prior to installation and retain them for future reference.
- All fittings must be installed by a competent person in accordance with local regulations (IET wiring regulation BS7671).
- Check the pack and make sure you have all of the parts listed.
- Remove all packaging, wrap etc from the product.
- Decide on the appropriate location for your product.
- **CAUTION:** IP44 is guaranteed when the product is properly installed and sealed.
- Always avoid the product to be located at corrosive environment.
- Always refer to the installation drawing for the orientation of the product.
- The product must be securely fixed to the mounting surface using the screws and wall plugs supplied. The screws and wall plugs supplied are suitable for "masonry" only. Other fixings not supplied and must be purchased.
- Take care not to drill into any pipes or mains cables beneath the surface during mounting holes preparation.
- **IMPORTANT:** The fixing point(s) selected must be capable of supporting the full weight of the light fitting.
- Wiring diagram is for reference only. Always refer to the terminal marking for wiring. Ensure that all electrical connections are tight and that no loose strands are left out of the terminal block.
- Never put anything on the product or hang anything on any part of this product.
- Never use the terminal cables to bear the product weight.
- When the product does not light after installation:
  - > Ensure there is no electricity failure
  - > Ensure all the connections are secured
- If you have any doubt about installation/use of this product, consult a qualified electrician.
- Always disconnect the product from mains at least 10 minutes allowing to cool down before any maintenance or adjustment.
- It is recommended to have a regular schedule of care and maintenance to keep the surface condition well.
- Maximum wireless signal rate derived from IEEE standard 802.11 specifications. Actual data throughput will vary with network conditions and environmental factors, including volume of network traffic, building materials and construction and network overhead, lower actual data throughput rate. KINGFISHER INTERNATIONAL PRODUCTS LIMITED makes no express or implied representations or warranties about this product compatibility with any future standard.
- Make sure that the Wi-Fi router can access the internet properly. The required distance between Wi-Fi router and the light might vary depending on the network conditions and environmental factors, including volume of network traffic, building materials and construction, network interference and network overhead, lower actual data throughput rate.
- Kingfisher International Products Limited, hereby declares that this radio equipment type MYKO with model numbers listed in first page is in compliance with Radio Equipment Regulations 2017. The full text of the UK Declaration of conformity may be obtained at the website : [www.kingfisher.com/products](http://www.kingfisher.com/products).

Technical Data

Supply voltage:	220-240 V~, 50 Hz
Bulb Type:	LED (18 W) The light source of this luminaire is not replaceable; when the light source reaches its end of life the whole luminaire shall be replaced. Do not stare at the operating light source.
CE	This product complies with conformity requirements of the applicable European Regulations or Directives.
UK CA	This product complies with conformity requirements of the applicable UK Regulations.
Energy efficiency class:	This product contains a light source of energy efficiency class <D>.
Control gear:	Non-replaceable control gear.
⏚	Class I product, must be connected to earth.
IP44	Splashproof.

	Waste electrical products should not be disposed of with household waste. Please recycle where facilities exist. Check with your Local Authority or local store for recycling advice.
	Do not use with a dimmer switch.
xxWyy:	xx-year; yy-week of the year
	<b>Wi-Fi</b> <b>Bluetooth</b>
Standard:	IEEE 802.11 b/g/n20/n40 BLE
Frequency range:	2412-2472 MHz 2402-2480 MHz
Max transmitter power:	<19 dBm <9 dBm
Transfer rate:	1T1R mode data rate up to 150 Mbps

\*Remote control can be integrated into the app as an additional control option (Not included remote control EAN 5063022065766/5063022064998).

Guarantee

We take special care to select high quality materials and use manufacturing techniques that allow us to create products incorporating design and durability. This product has a manufacturer's guarantee of 5 years against manufacturing defects, from the date of purchase (if bought in store) or date of delivery (if bought online), at no additional cost for normal (non-professional or commercial) household use.

To make a claim under this guarantee, you must present your proof of purchase (such as a sales receipt, purchase invoice or other evidence admissible under applicable law), please keep your proof of purchase in a safe place. For this guarantee to apply, the product you purchased must be new, it will not apply to second hand or display products. Unless stated otherwise by applicable law, any replacement product issued under this guarantee will only be guaranteed until expiry of the original period guarantee period.

This guarantee covers product failures and malfunctions provided the product was used for the purpose for which it is intended and subject to installation, cleaning, care and maintenance in accordance with the information contained in these terms and conditions, in the user manual and standard practice, provided that standard practice does not conflict with the user manual.

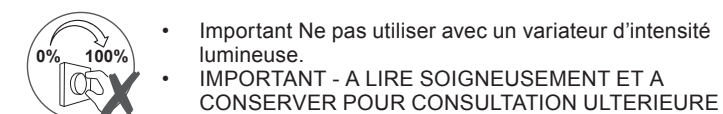
This guarantee does not cover defects and damage caused by normal wear and tear or damage that could be the result of improper use, faulty installation or assembly, neglect, accident, misuse, or modification of the product. Unless stated otherwise by applicable law, this guarantee will not cover, in any case, ancillary costs (shipping, movement, costs of uninstalling and reinstalling, labour etc), or direct and indirect damage.

If the product is defective, we will, within a reasonable time, replace or refund. Rights under this guarantee are enforceable in the country in which you purchased this product. Guarantee related queries should be addressed to the store you purchased this product from.

The guarantee is in addition to and does not affect your statutory rights. This product works with Google Home and Alexa after initial product setup. The initial product setup must be completed using the Myko app. After setup, you can control this device using just your voice with Alexa or Google Assistant-enabled devices.

For more information on the Myko app, setup instructions, or product compatibility details, please visit [www.mykoapp.com](http://www.mykoapp.com)

FR Sécurité



- Important Ne pas utiliser avec un variateur d'intensité lumineuse.
- **IMPORTANT** - A LIRE SOIGNEUSEMENT ET A CONSERVER POUR CONSULTATION ULTERIEURE
- Les consignes suivantes visent à assurer votre sécurité. Veuillez les lire attentivement avant de procéder à l'installation et les conserver pour pouvoir vous y référer ultérieurement.
- Toutes les installations doivent être effectuées par une personne compétente conformément aux réglementations sur les branchements électriques IEE (NF C 15 100).
- Assurez-vous de la présence de toutes les pièces répertoriées.
- Retirez le produit de l'emballage.
- Choisissez l'emplacement approprié pour votre produit.
- **ATTENTION** : IP44 est garanti lorsque le produit est correctement installé et scellé.
- Évitez toujours d'installer le produit dans un environnement corrosif.
- Reportez-vous systématiquement au schéma d'installation.

5210601456  
5063022066176

V10823\_5063022066176\_MAND1\_2223









- ¿Puedo escanear varios códigos QR de productos al mismo tiempo?**  
No es posible, ya que cada producto tiene un código único que debe escanearse por separado.
- ¿Cómo se transfiere un producto a otra cuenta Myko?**  
Escanee el código QR del producto con la otra cuenta Myko y este se transferirá automáticamente.
- ¿Cómo puedo cambiar la configuración wifi del producto?**  
En la aplicación Myko, haga clic en los ajustes del producto, pulse sobre el nombre de la red, seleccione la nueva red y añada la contraseña de la red wifi.
- ¿Por qué mi dispositivo se queda sin conexión durante largos periodos de tiempo?**  
Asegúrese de que el producto está encendido y compruebe que la intensidad de la señal wifi sea suficiente. Es posible que tenga que mover el router o utilizar un extensor wifi.
- ¿Con qué dispositivos móviles es compatible la aplicación Myko?**  
La aplicación Myko es compatible con las últimas versiones de iOS y Android™. Para obtener más información sobre las versiones anteriores, visite mykoapp.com.

## PT Perguntas frequentes

- Que permissão é necessária para a app Myko?**  
A app Myko requer a ativação do Bluetooth e a ativação e permissão do acesso aos serviços de localização bem como à câmara.
- E se a app Myko não apresentar a minha rede Wi-Fi ao tentar configurar um produto?**  
A app Myko irá apresentar apenas redes Wi-Fi de 2,4 GHz que o produto Myko consiga detetar. A Myko requer acesso a uma rede de 2,4 GHz. Se não vir a sua rede Wi-Fi listada, certifique-se de que o seu router Wi-Fi tem uma rede de 2,4 GHz ativada. Além disso, certifique-se de que o seu produto Myko está dentro do alcance do sinal de Wi-Fi.
- E se não conseguir encontrar o código QR do produto?**  
Pode encontrá-lo no produto. Caso contrário, também está disponível neste manual de instruções.
- O que fazer caso não seja possível efetuar a leitura do código QR do produto?**  
No código QR existe uma série de letras e números que podem ser introduzidos manualmente em vez de serem lidos.
- Posso configurar um produto Myko sem um código QR?**  
Na app Myko, toque em + e, em seguida, adicione o produto. Em seguida, siga as instruções apresentadas no ecrã.
- Posso ler vários códigos QR do produto ao mesmo tempo?**  
Isto não é possível, uma vez que cada produto inclui um código único que tem de ser lido separadamente.
- Como transferir um produto para outra conta Myko?**  
Basta ler o código QR do produto com a outra conta Myko e é iniciada a transferência automática do produto lido.
- Como altera as definições de Wi-Fi do produto?**  
Na app Myko, clique nas definições do produto e, em seguida, toque no nome da rede, seleccione a nova rede e adicione a palavra-passe da rede Wi-Fi.
- Por que motivo o meu dispositivo está offline durante um longo período de tempo?**  
Certifique-se de que o seu produto está ligado e, em seguida, verifique se a intensidade do sinal de Wi-Fi é suficiente. Poderá ter de mover o router ou utilizar um extensor de rede Wi-Fi.
- Que dispositivos móveis são suportados pela app Myko?**  
Atualmente, a app Myko utiliza a versão de iOS e Android™ mais recente. Para obter mais informações sobre as versões anteriores, visite mykoapp.com.

## TR Müşteriler tarafından sık sorulan sorular

- Myko uygulaması için hangi izinler gerekiyor?**  
Myko uygulaması; Bluetooth'un açık olmasını gerektirir, Konum servislerini etkinleştirip erişim izni vermenizi ister ve Kamera'ya erişim gerektirir.
- Bir ürünü kurmaya çalıştığımda Myko uygulaması Wi-Fi ağımlı göstermiyorsa ne yapmalıyım?**  
Myko uygulaması yalnızca Myko ürününüzün algılayabileceği 2,4 GHz Wi-Fi ağlarını görüntüler. Myko, 2,4 GHz'lik bir ağa erişimi gerektirir. Wi-Fi ağınıza listede göstermiyorsanız Wi-Fi yönlendiricinizde 2,4 GHz'lik bir ağın etkin olduğundan emin olun. Ayrıca Myko ürününüzün, Wi-Fi sinyalinizin kapsama alanında olduğundan emin olun.

- Ürün QR kodunu bulamıyorsam ne yapmalıyım?**  
Bu Kullanma Kılavuzunda yoksa ürün üzerinde bulunabilir.
- Ürün QR Kodu taranmıyorsa ne yapmalıyım?**  
QR kodunun altında, tarama yapmak yerine manuel olarak girilebilecek bir dizi harf ve sayı bulunur.
- QR kodu olmadan bir Myko ürününün kurulumunu yapabilir miyim?**  
Myko uygulamasında, + öğesine dokunup ürünü ekleyin. Ardından ekrandaki talimatları izleyin.
- Aynı anda birden fazla ürün QR Kodu tarayabilir miyim?**  
Her ürünün ayrı olarak taranması gereken benzersiz bir kod olduğundan bu mümkün değildir.
- Bir ürünü başka bir Myko hesabına nasıl aktarabilirim?**  
Ürünün QR kodunu diğer Myko hesabıyla taramanız yeterlidir. Taranan ürün otomatik olarak aktarılır.
- Ürünün Wi-Fi ayarları nasıl değiştirilir?**  
Myko uygulamasında ürün ayarlarına tıklayın, ardından ağ adına dokunun, yeni ağı seçin ve Wi-Fi şifresini ekleyin.
- Cihazım neden uzun süre çevrimdışı oluyor?**  
Ürününüzün açık olduğundan emin olun, ardından Wi-Fi gücünüzün yeterli olup olmadığını kontrol edin. Yönlendiricinizi başka bir yere yerleştirmeniz veya bir Wi-Fi genişletici kullanmanız gerekebilir.
- Myko uygulaması hangi mobil cihazları destekliyor?**  
Myko uygulaması şu anda iOS ve Android™'in en son sürümünde çalışmaktadır. Önceki sürümlerle ilgili daha fazla bilgi için lütfen mykoapp.com adresini ziyaret edin.



Apple is a trademark of Apple Inc., registered in the U.S. and other countries and regions.

App store is a trademark of Apple Inc.

Google, Google Play and Google Home are trademarks of Google LLC.

Amazon, Alexa and all related logos are trademarks of Amazon.com, Inc. or its affiliates.



Wi-Fi CERTIFIED™ is a registered trademark of Wi-Fi Alliance®.

The Bluetooth® word mark and logos are registered trademarks owned by Bluetooth SIG, Inc. and any use of such marks by Kingfisher plc is under license. Other trademarks and trade names are those of their respective owners.



**Manufacturer • Fabricant • Producent • Producător • Fabricante:**

**UK Manufacturer:**

Kingfisher International Products Limited,  
1 Paddington Square, London, W2 1GG,  
United Kingdom

**EU Manufacturer:**

Kingfisher International Products B.V.,  
Rapenburgerstraat 175E,  
1011 VM Amsterdam,  
The Netherlands

**EN** www.diy.com  
www.screwfix.com  
www.screwfix.ie

**To view instruction manuals online, visit www.kingfisher.com/products**

Made in China

**FR** www.castorama.fr  
www.bricodepot.fr  
www.screwfix.fr

**Pour consulter les manuels d'instructions en ligne, rendez-vous sur le site www.kingfisher.com/products**

Fabriqué en RPC

**PL** www.castorama.pl

**Aby zapoznać się z instrukcją obsługi online, odwiedź stronę www.kingfisher.com/products**  
Wyprodukowano w ChRL

**RO** www.bricodepot.ro

**Pentru a consulta manualele de instrucțiuni online, vizitați www.kingfisher.com/products**  
Fabricat în China

**ES** www.bricodepot.es

**Para consultar los manuales de instrucciones en línea, visite www.kingfisher.com/products**  
Fabricado en China

**PT** www.bricodepot.pt

**Para consultar manuais de instruções online, visite www.kingfisher.com/products**  
Fabricado na China

**TR** Ithalatçı Firma:

KOÇTAŞ YAPI MARKETLERİ TİCARET A.Ş.  
Sırrı Çelik Bulvarı Otokoç Blok No:9 Çekmeköy/  
İstanbul 34788 Türkiye

Telefon: (90) 216 430 03 00

Faks : (90) 216 484 43 13

www.koctas.com.tr

**Kullanım kılavuzuna internet üzerinden ulaşmak için www.kingfisher.com/products adresini ziyaret edin**

Yetkili servis istasyonları ve yedek parça temini için aşağıda yer alan Koçtaş Müsteri Hattı ve Koçtaş Genel Müdürlük irtibat bilgilerinden faydalanınız.

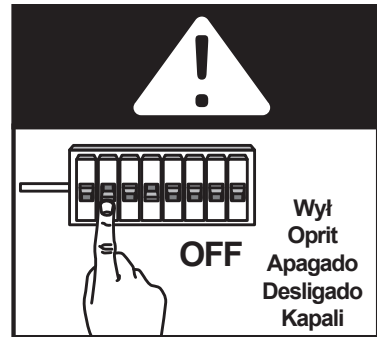
**KOÇTAŞ MÜŞTERİ HİZMETLERİ**

0850 209 50 50

AEEE Yönetmeligine Uygundur

Menşei: Çin

# 01



**EN IMPORTANT DO NOT USE WITH A DIMMER SWITCH. IMPORTANT! RETAIN FOR FUTURE REFERENCE: READ CAREFULLY.**

**FR IMPORTANT NE PAS UTILISER AVEC UN VARIATEUR D'INTENSITÉ LUMINEUSE. IMPORTANT - A LIRE SOIGNEUSEMENT ET A CONSERVER POUR CONSULTATION ULTERIEURE.**

**PL UWAGA! NIE UŻYWAĆ ZE ŚCIEMNIACZAMI. WAŻNE - NALEŻY DOKŁADNIE PRZECZYTAĆ NINIEJSZE INFORMACJE I ZACHOWAĆ.**

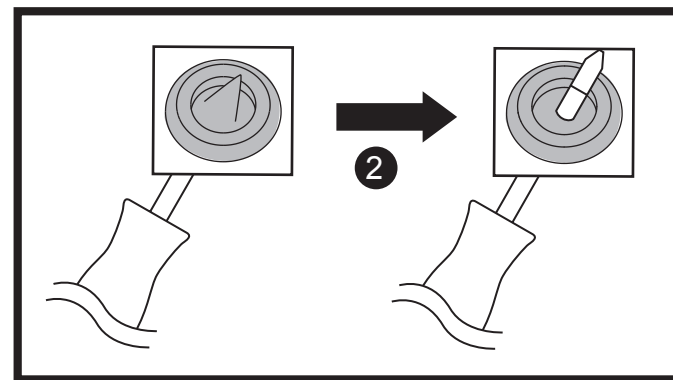
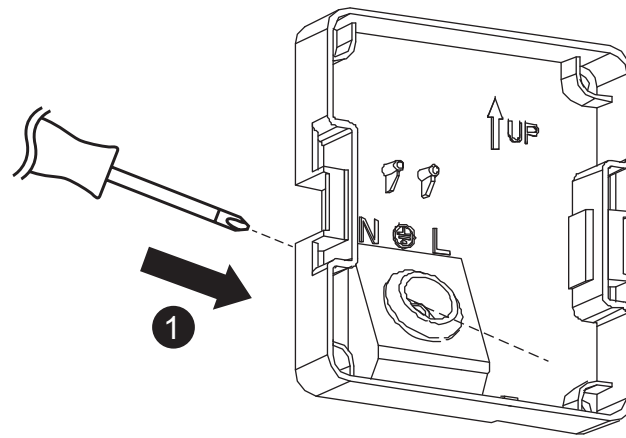
**RO ATENȚIE! NU UTILIZATI CU VARIATOR DE TENSIUNE. IMPORTANT - PĂSTRAȚI ACESTE INFORMAȚII PENTRU REFERINȚE VIITOARE: CITIȚI CU ATENȚIE.**

**ES ATENCIÓN! NO UTILIZAR CON REGULADOR DE INTENSIDAD. IMPORTANTE - GUARDE ESTA INFORMACIÓN PARA FUTURAS CONSULTAS: LEA ATENTAMENTE.**

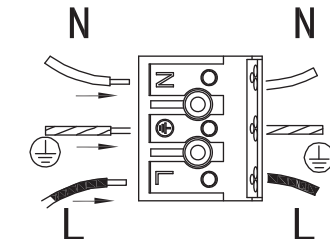
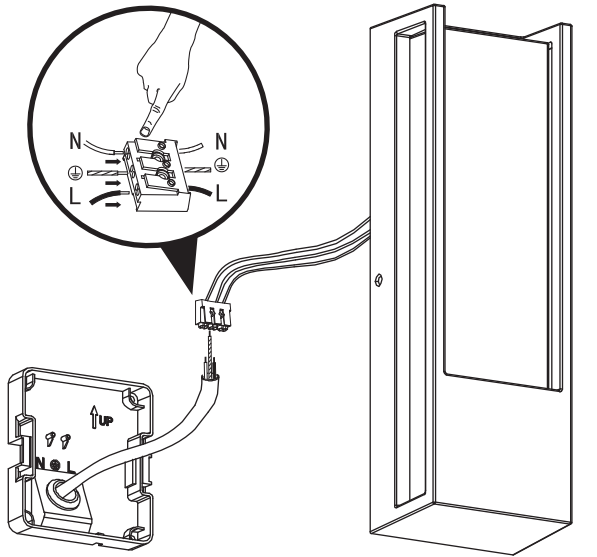
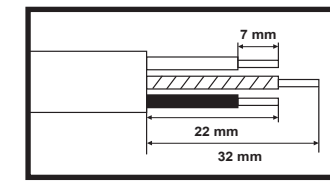
**PT CUIDADO! NÃO UTILIZE COM VARIADOR DE INTENSIDADE. IMPORTANTE - GUARDAR PARA CONSULTAR EN EL FUTURO: LEER DETENIDAMENTE.**

**TR UYARI DIMMER İLE KULLANIMA UYGUN DEĞİLDİR. ÖNEMLİ – BU BİLGİLERİ DAHA SONRA KULLANMAK ÜZERE SAKLAYIN: DİKKATLE OKUYUN.**

# 03



# 05



**EN** L = Brown or Red  
N = Blue or Black  
⊥ = Green / Yellow

**FR** L = Marron ou Rouge  
N = Bleu  
⊥ = Vert/Jaune

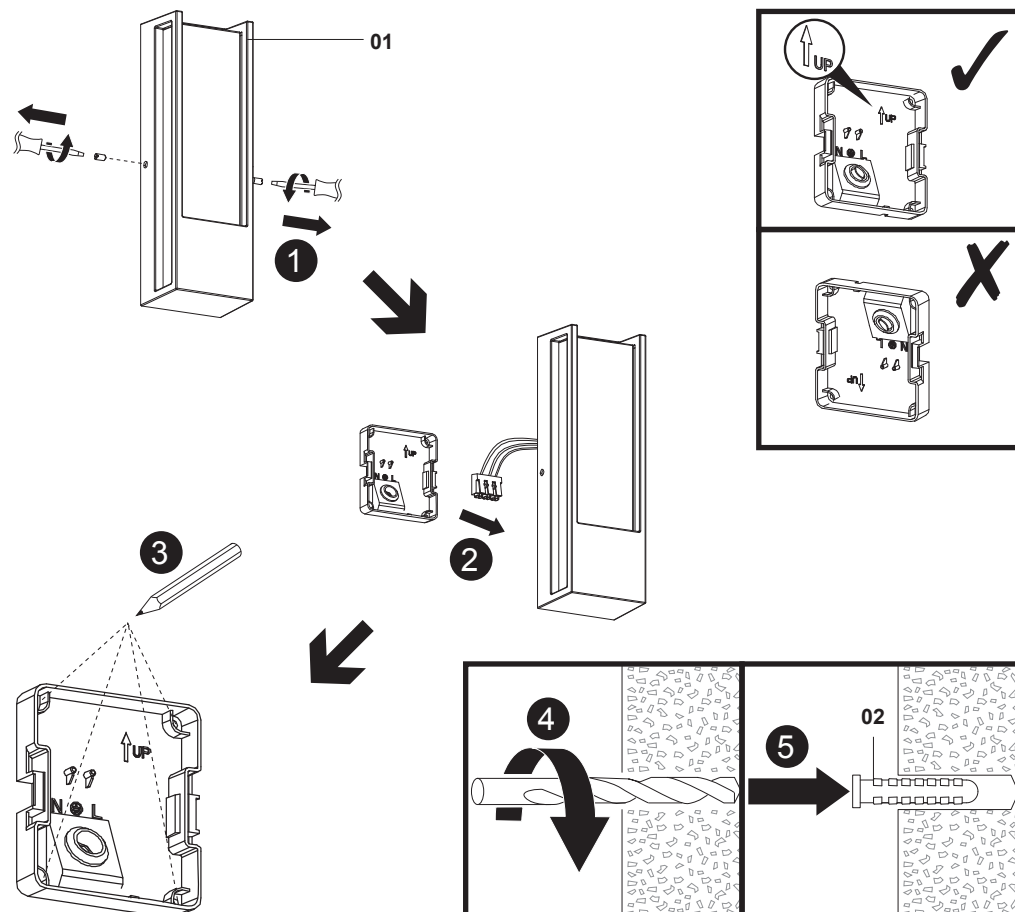
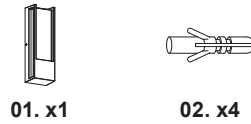
**PL** L = Brązowy lub Czerwony  
N = Niebieski  
⊥ = Żółto-Zielony

**RO** L = Maro sau rosu  
N = Albastru  
⊥ = Verde / Galben

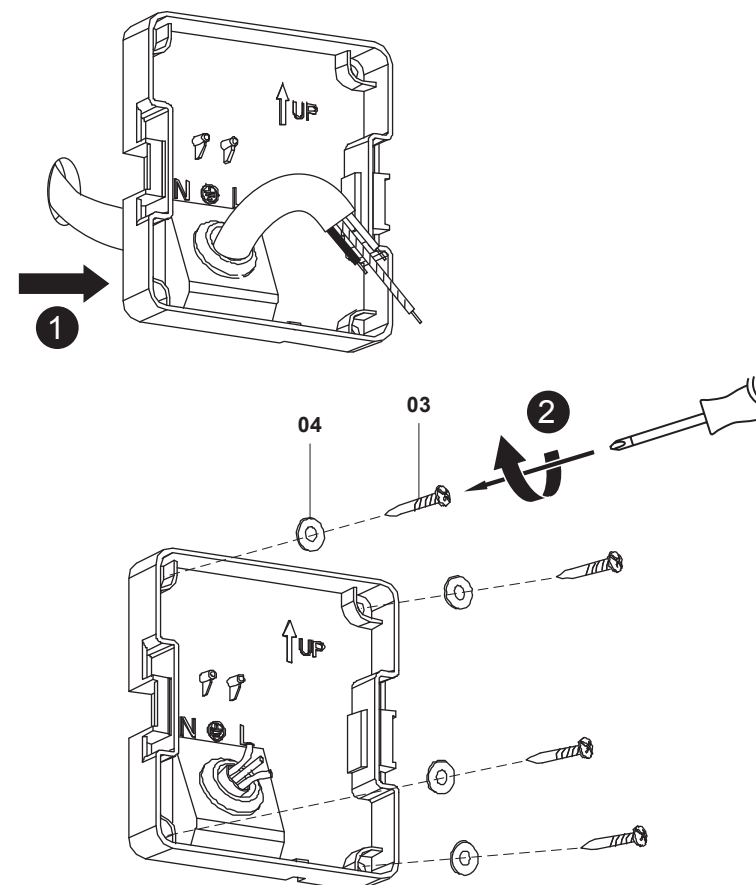
**ES** L = Marrón o Rojo o Negro  
N = Azul  
⊥ = Amarillo / Verde

**TR** L = Kahverengi  
N = Mavi  
⊥ = Sarı-Yeşil

# 02



# 04



# 06

