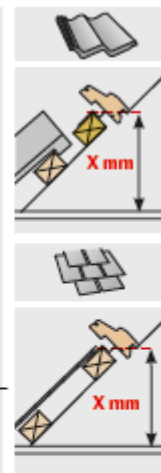
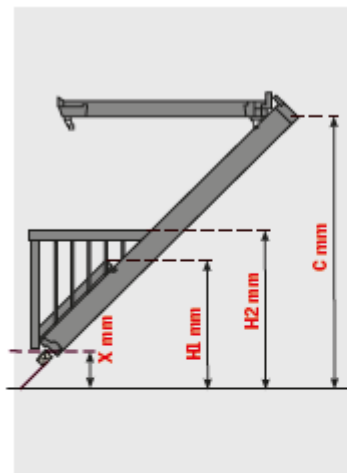
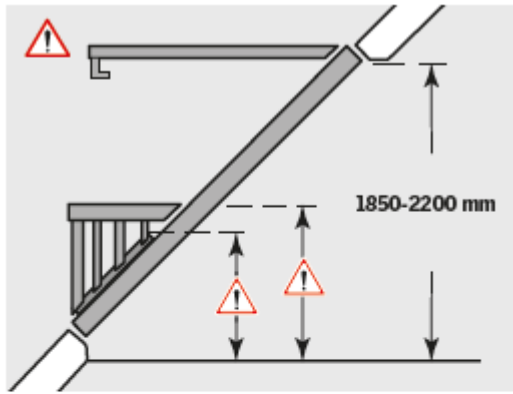







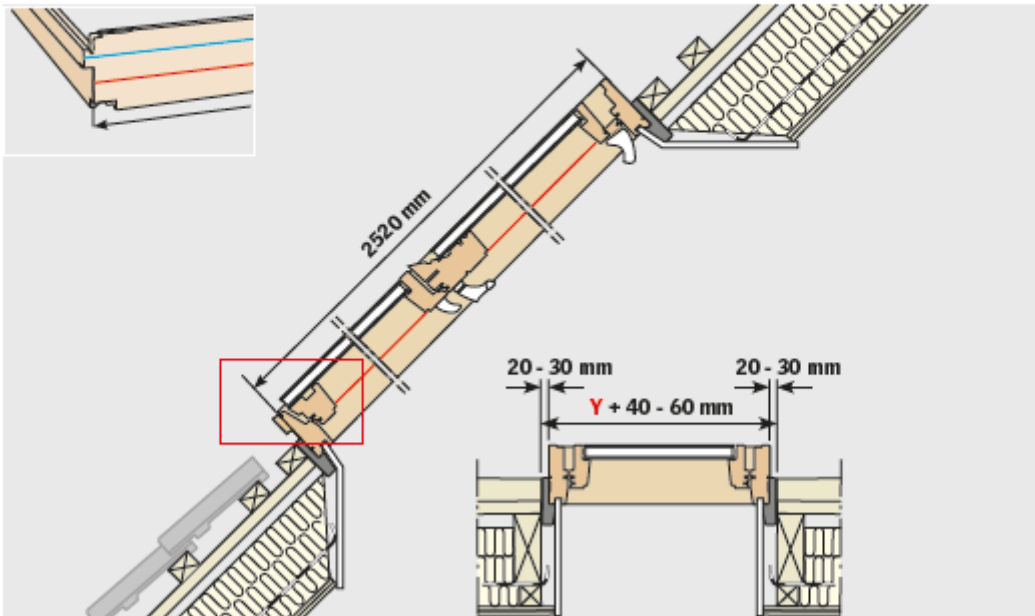
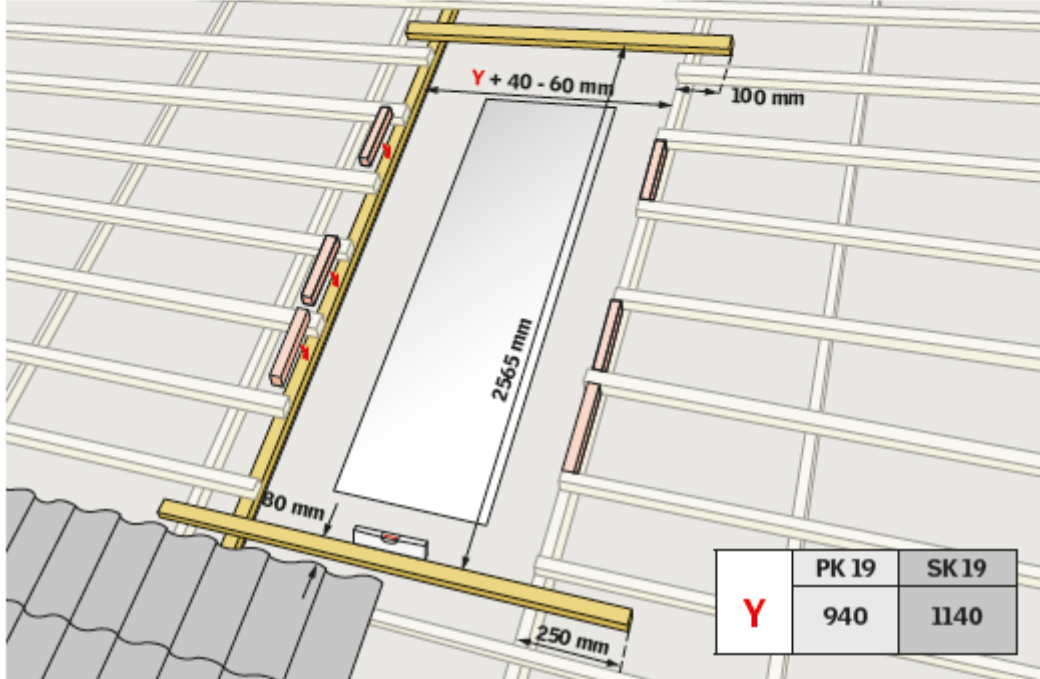
**GDL**





|  | X mm | H1 mm | H2 mm | C mm |
|--|------|-------|-------|------|
| <br>35°-39°   | 213  | 800   | 1146  | 1631 |
|  | 263  | 850   | 1196  | 1681 |
|  | 313  | 900   | 1246  | 1731 |
|  | 363  | 950   | 1296  | 1781 |
|  | 413  | 1000  | 1346  | 1831 |
|  | 463  | 1050  | 1396  | 1881 |
| <br>40°-42°  | 513  | 1100  | 1446  | 1931 |
|  | 157  | 800   | 1090  | 1753 |
|  | 207  | 850   | 1140  | 1803 |
|  | 257  | 900   | 1190  | 1853 |
|  | 307  | 950   | 1240  | 1903 |
|  | 357  | 1000  | 1290  | 1953 |
| <br>43°-45° | 407  | 1050  | 1340  | 2003 |
|  | 457  | 1100  | 1390  | 2053 |
|  | 125  | 800   | 1058  | 1823 |
|  | 175  | 850   | 1108  | 1873 |
|  | 225  | 900   | 1158  | 1923 |
|  | 275  | 950   | 1208  | 1973 |
| <br>46°-48° | 325  | 1000  | 1258  | 2023 |
|  | 375  | 1050  | 1308  | 2073 |
|  | 425  | 1100  | 1358  | 2123 |
|  | 95   | 800   | 1028  | 1889 |
|  | 145  | 850   | 1078  | 1939 |
|  | 195  | 900   | 1128  | 1989 |
| <br>49°-53° | 245  | 950   | 1178  | 2039 |
|  | 295  | 1000  | 1228  | 2089 |
|  | 345  | 1050  | 1278  | 2139 |
|  | 395  | 1100  | 1328  | 2189 |
|  | 67   | 800   | 1000  | 1953 |
|  | 117  | 850   | 1050  | 2003 |
| 167  | 900  | 1100  | 2053  |      |
| 217  | 950  | 1150  | 2103  |      |
| 267  | 1000 | 1200  | 2153  |      |
| 317  | 1050 | 1250  | 2203  |      |
| 367  | 1100 | 1300  | 2253  |      |

1a



1b

