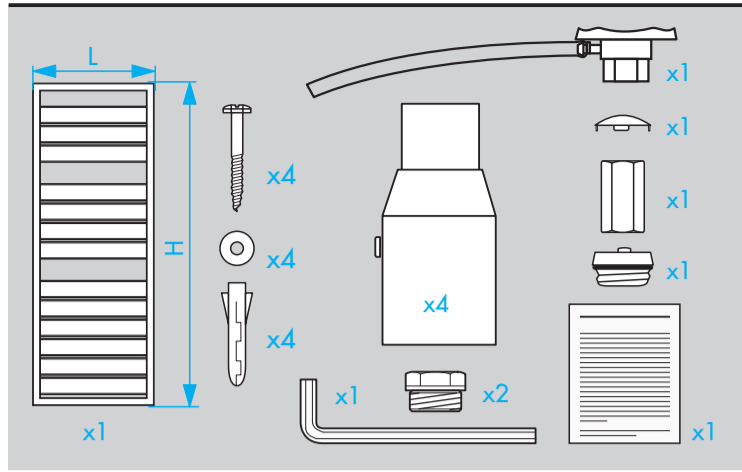
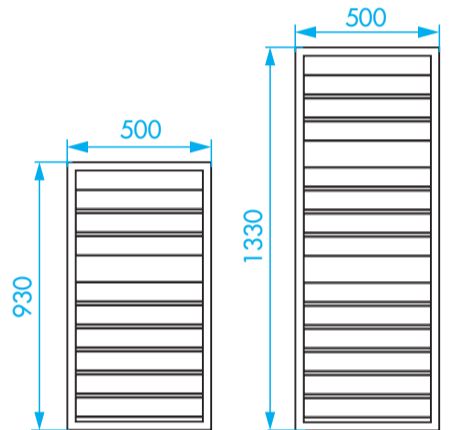
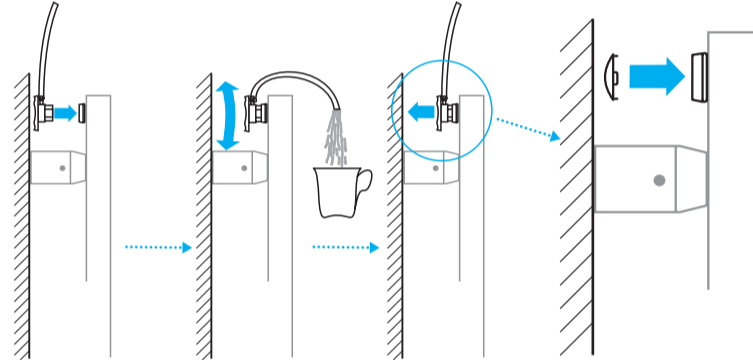
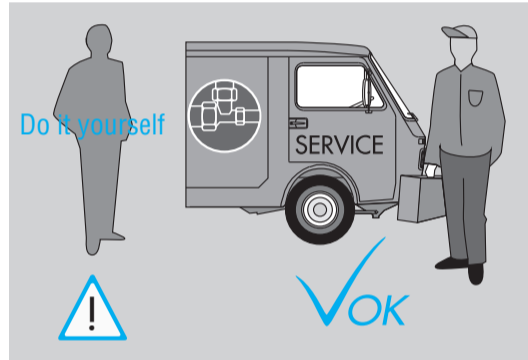
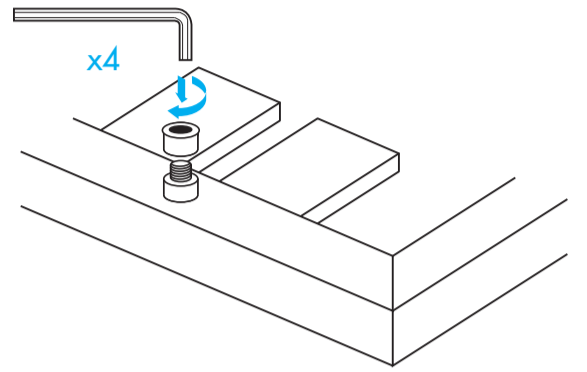
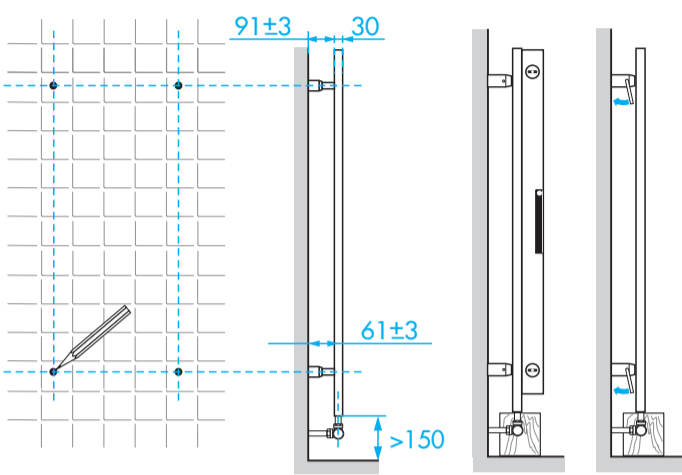
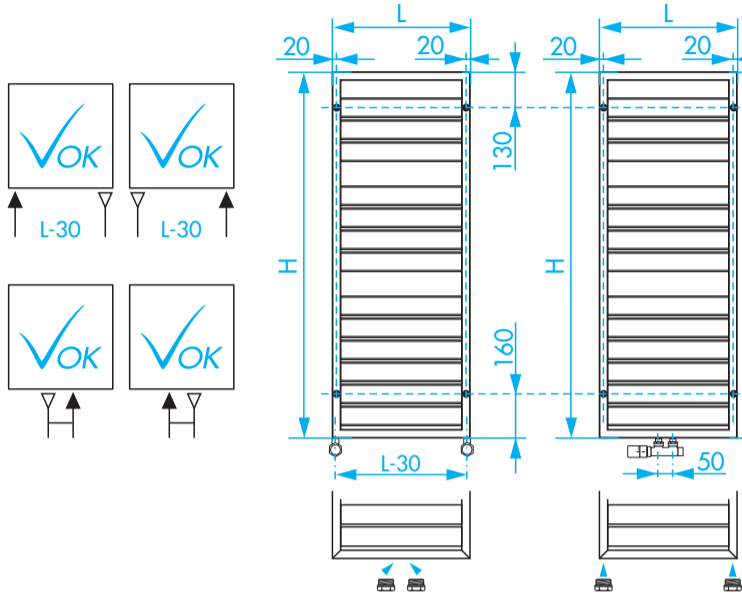
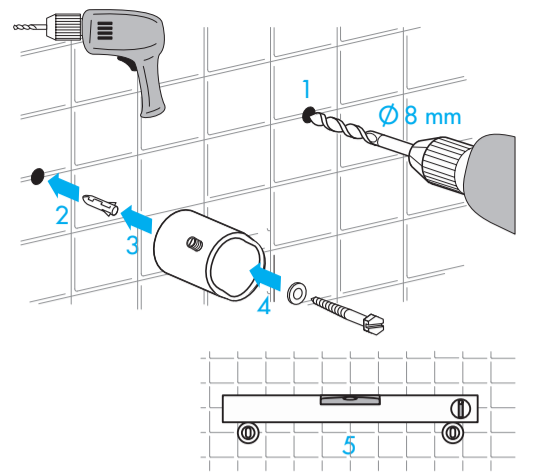
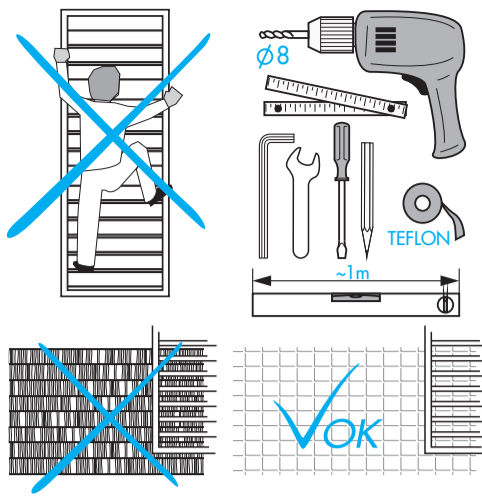


# TYPE T130



© Copyright by PBO 06/18 40018280



# TYPE T130E

