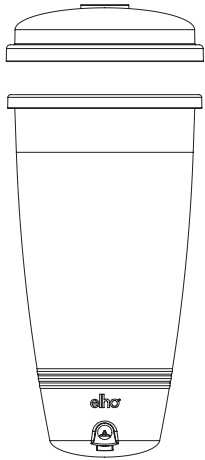
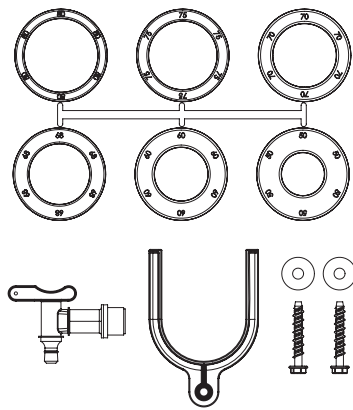


green basics RAIN CATCHER 35LTR

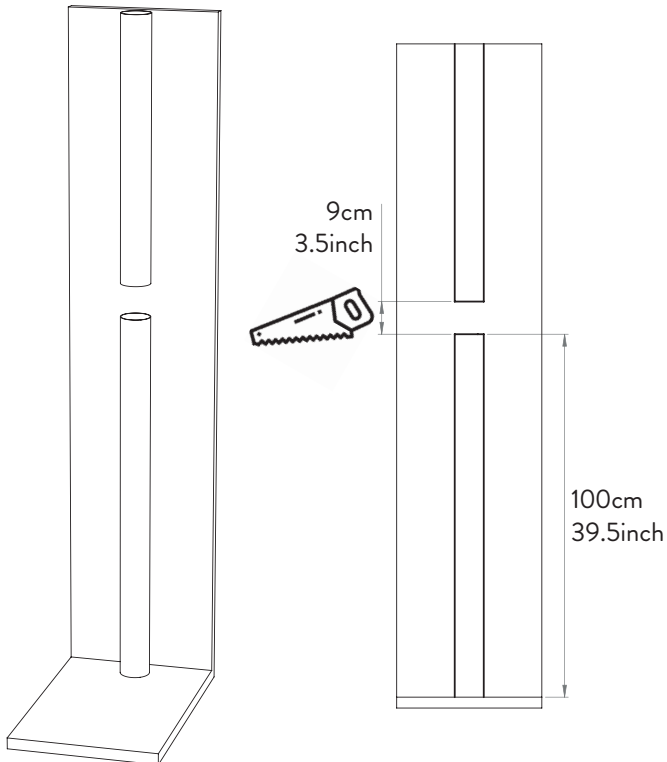
Parts included



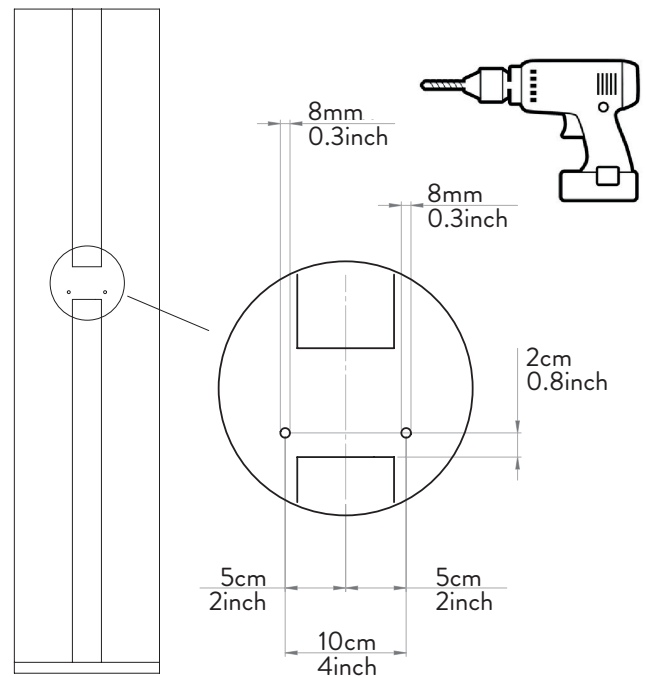
+



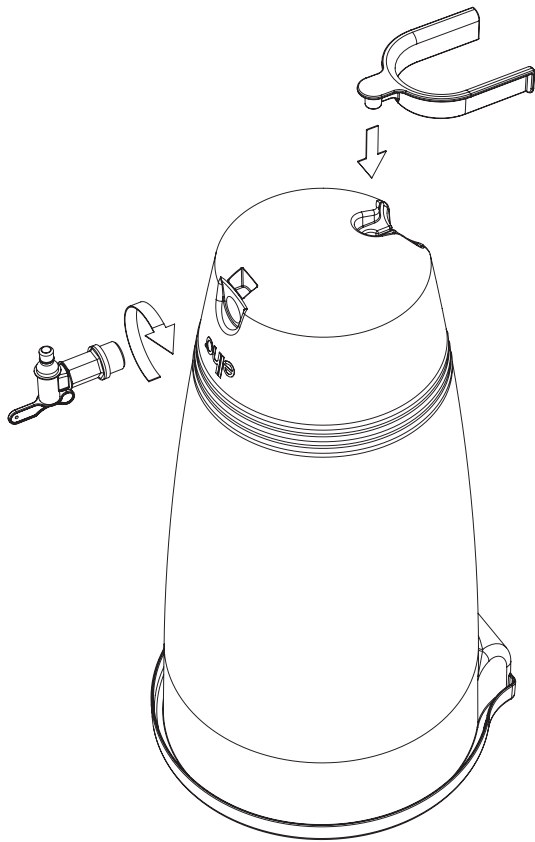
Step 1



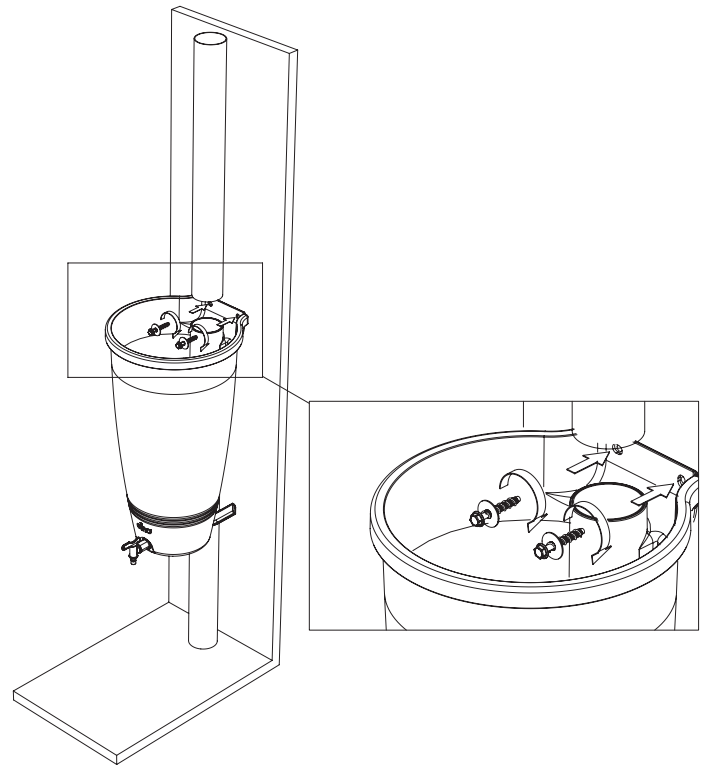
Step 2



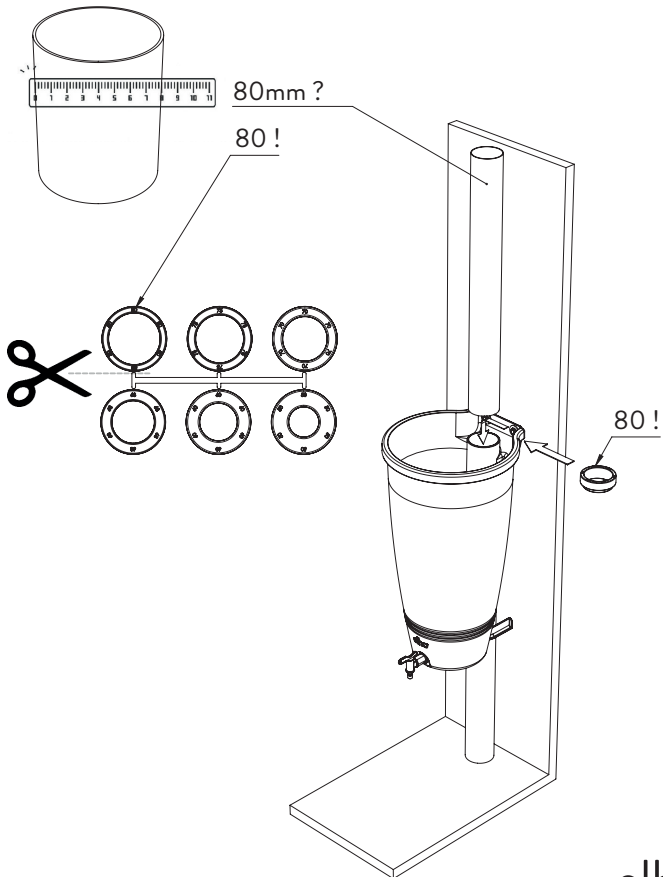
Step 3



Step 4



Step 5



Step 6

