

FF270 ring grill

- hole in the middle to place wood (wood logs are 25 to 33cm long)
- half of the grill should be a grid (similar to FF256 to FF258)
- half of the ring grill should have a closed surface so that it can be used as a teppanyaki grill (non- sticky)
- 4 feet to place save on a 60cm fire bowl
- needsd to be foodproof

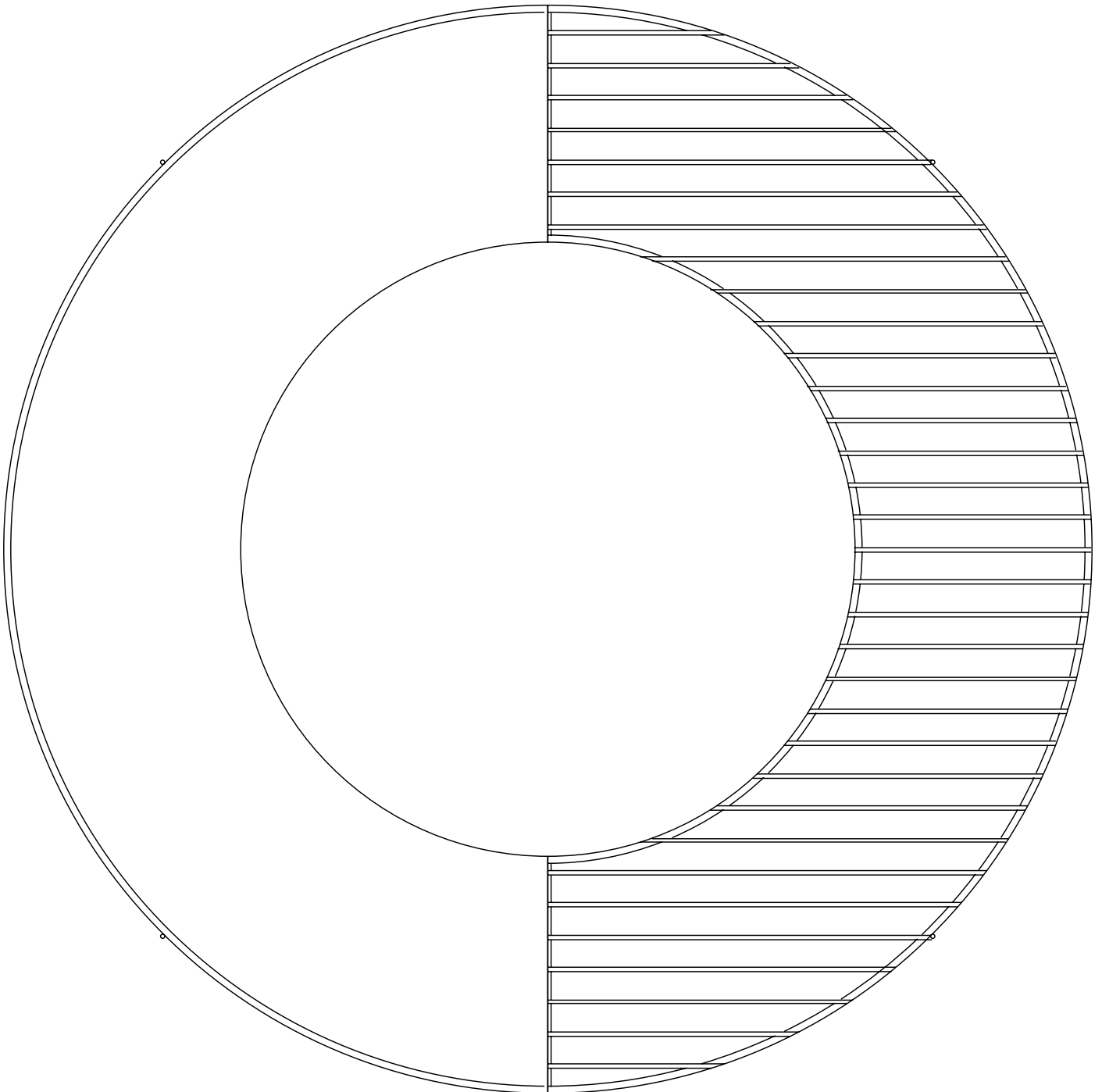
FF270 ring grill

main views

front view

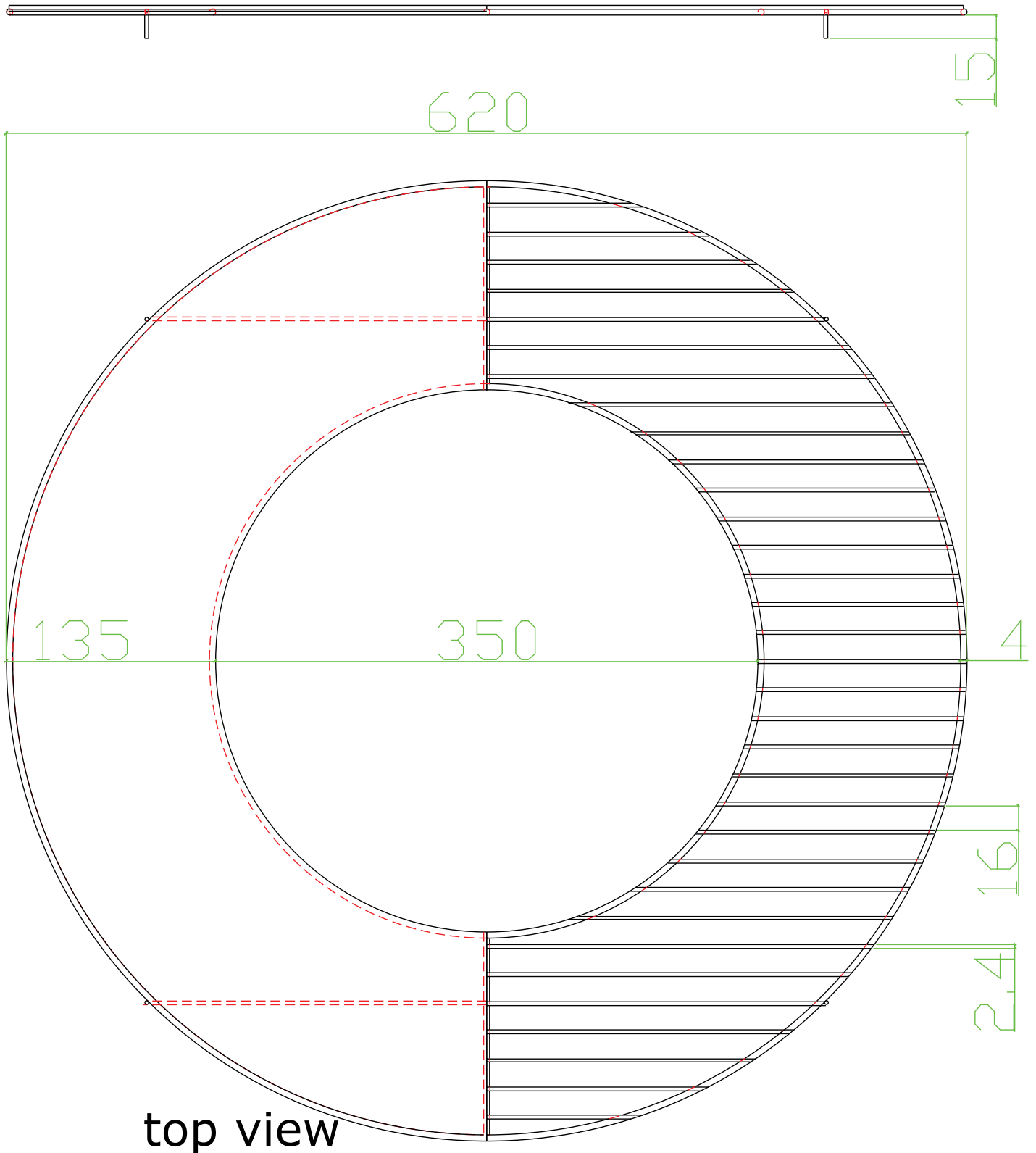


top view



FF270 ring grill

dimensions



FF270 ring grill

reference pictures

