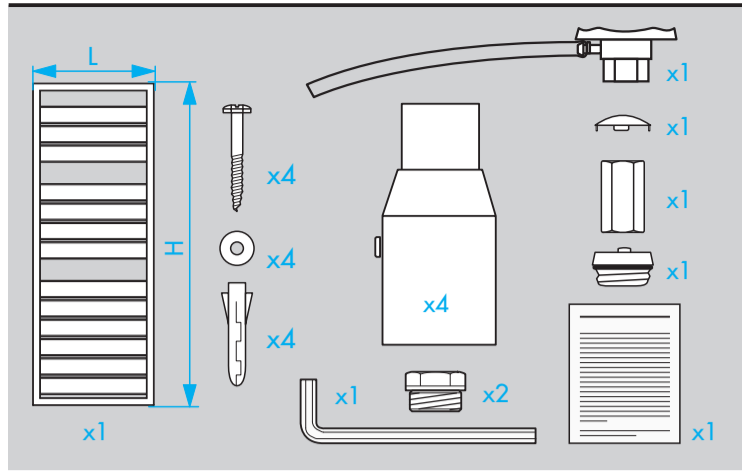
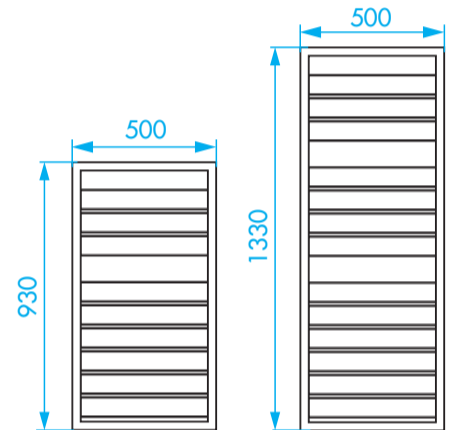
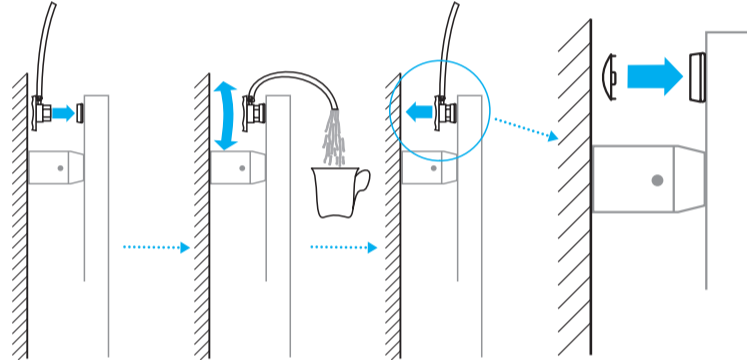
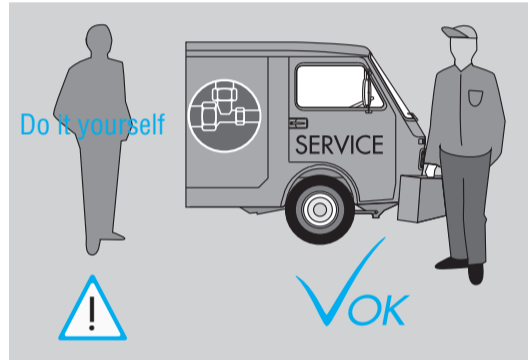
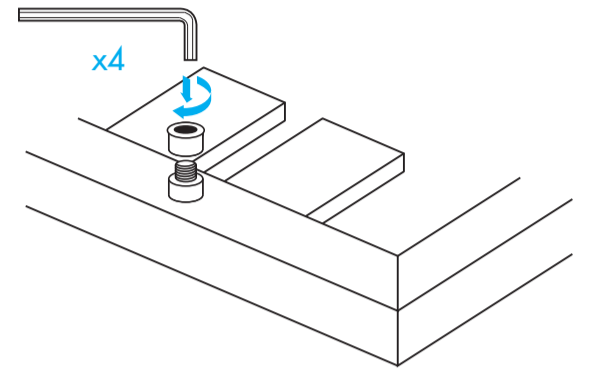
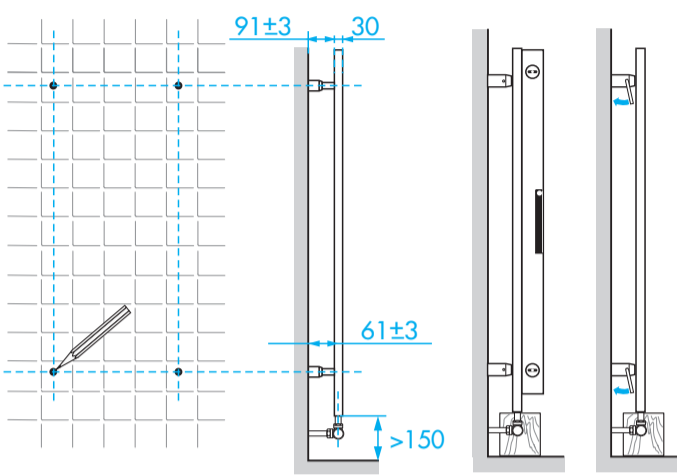
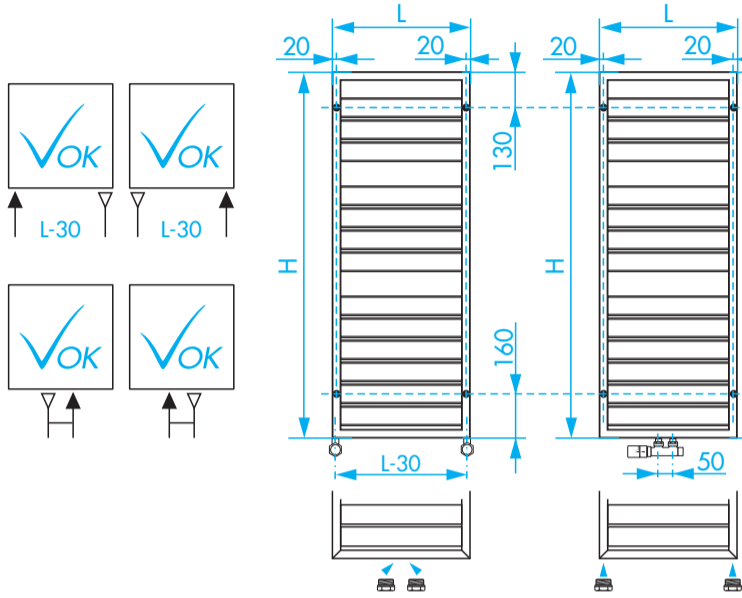
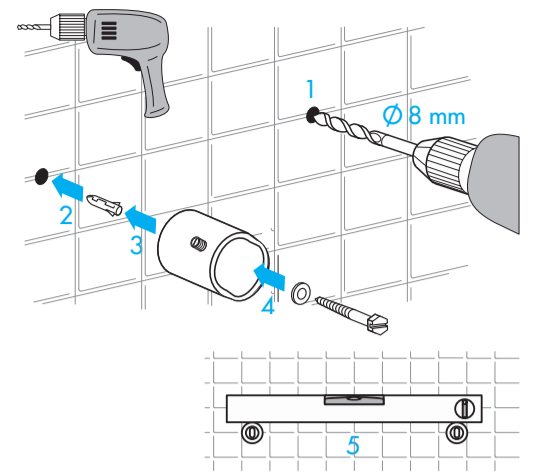
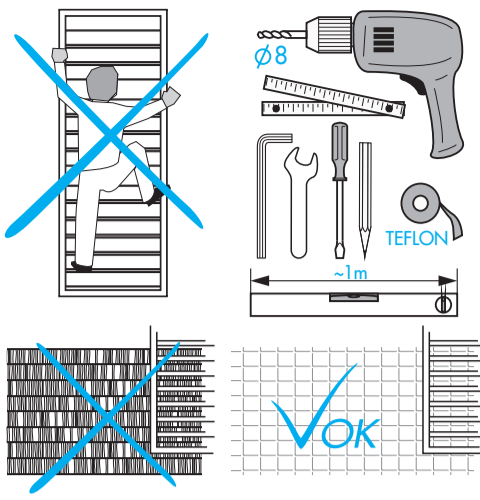


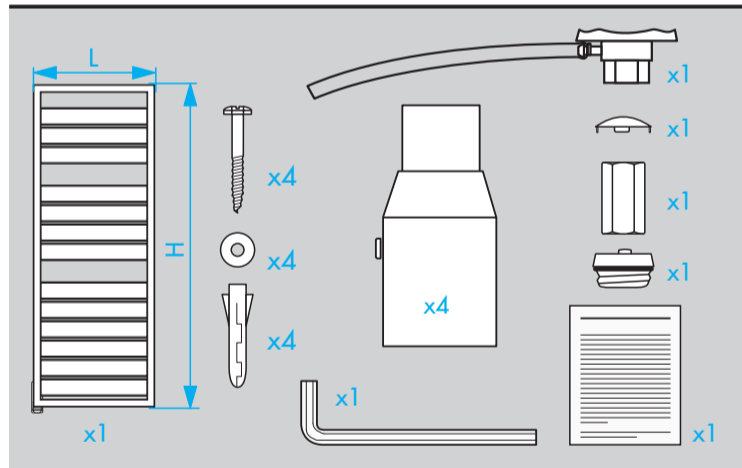
TYPE T130



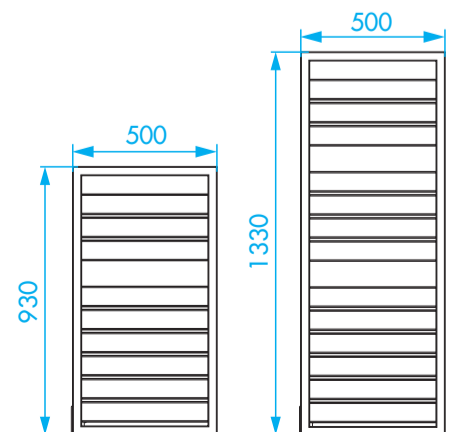
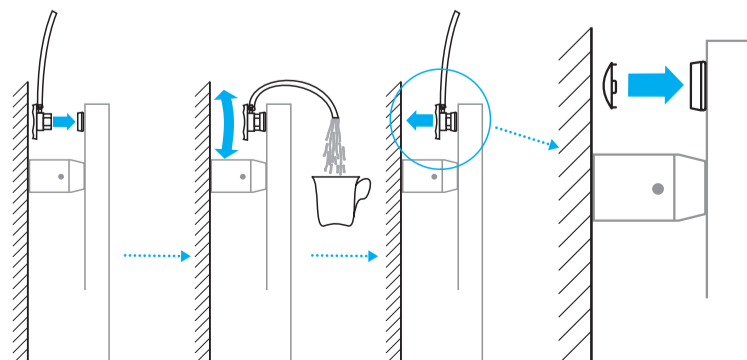
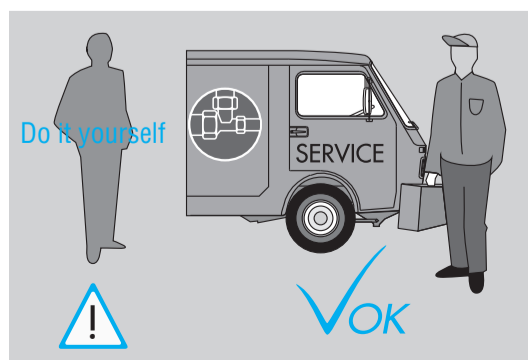
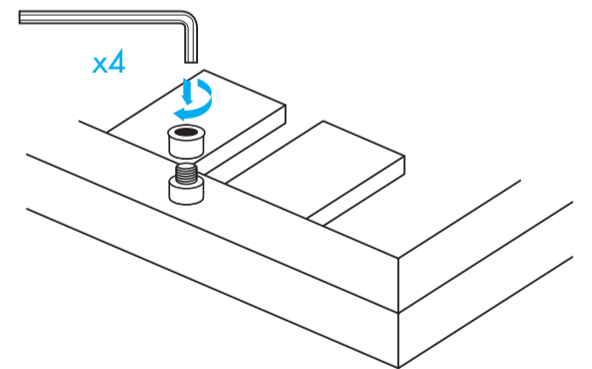
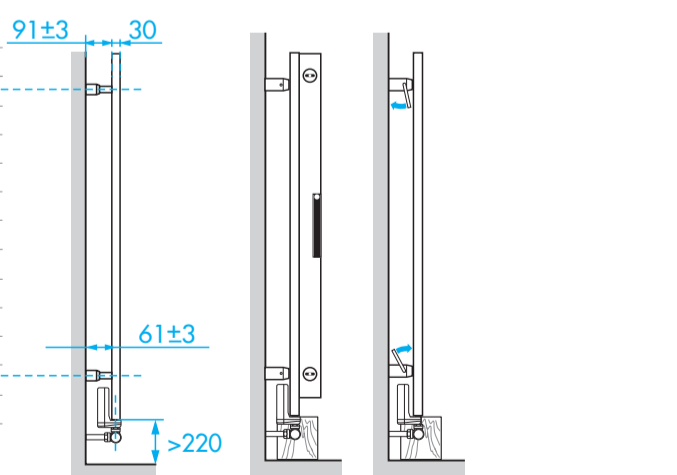
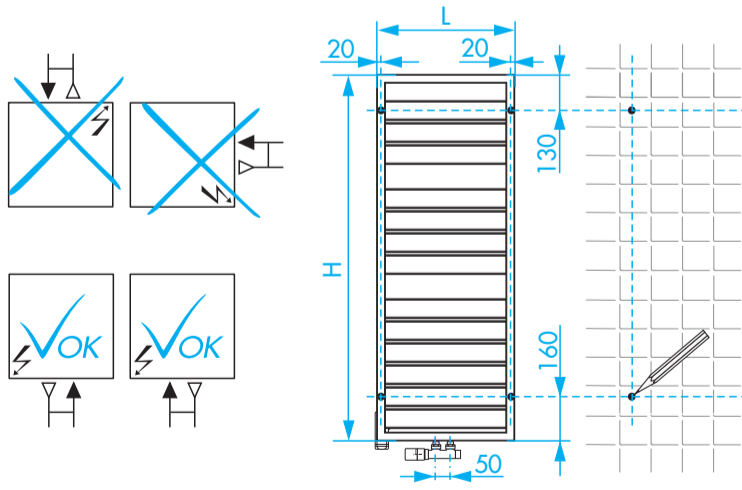
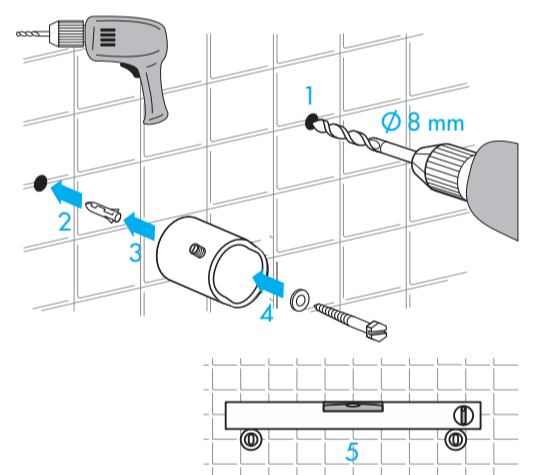
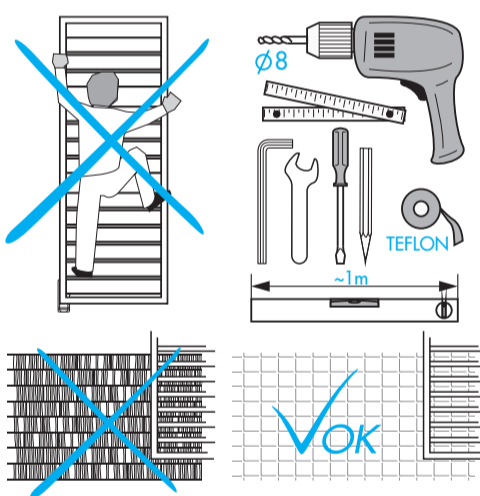
© Copyright by PBO 06/18 40018280



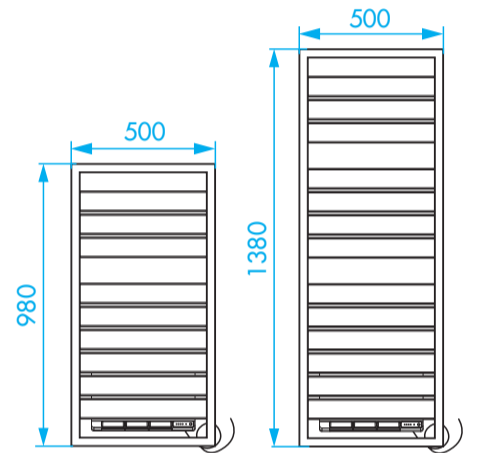
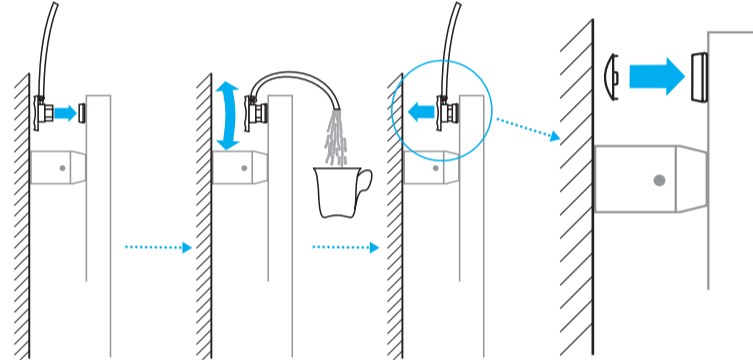
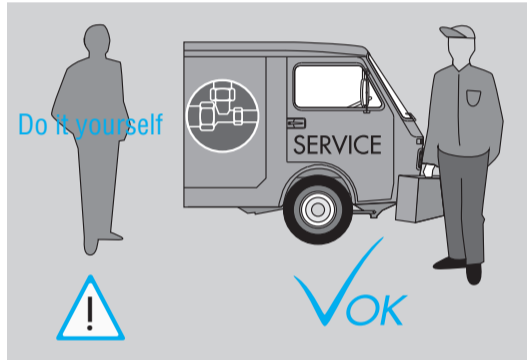
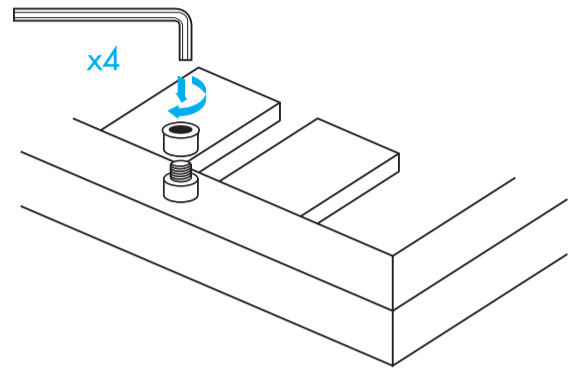
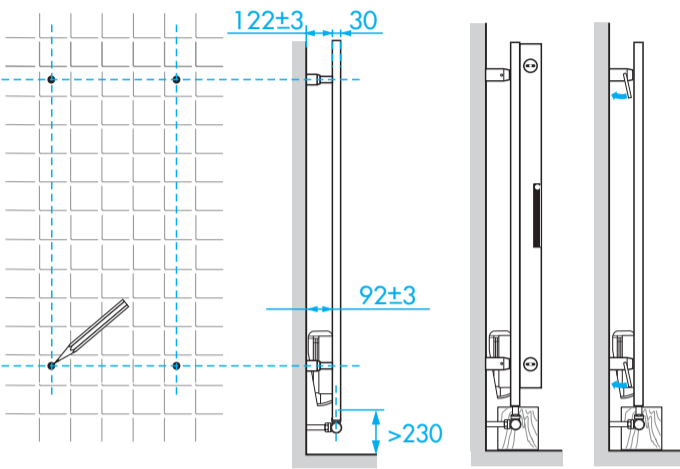
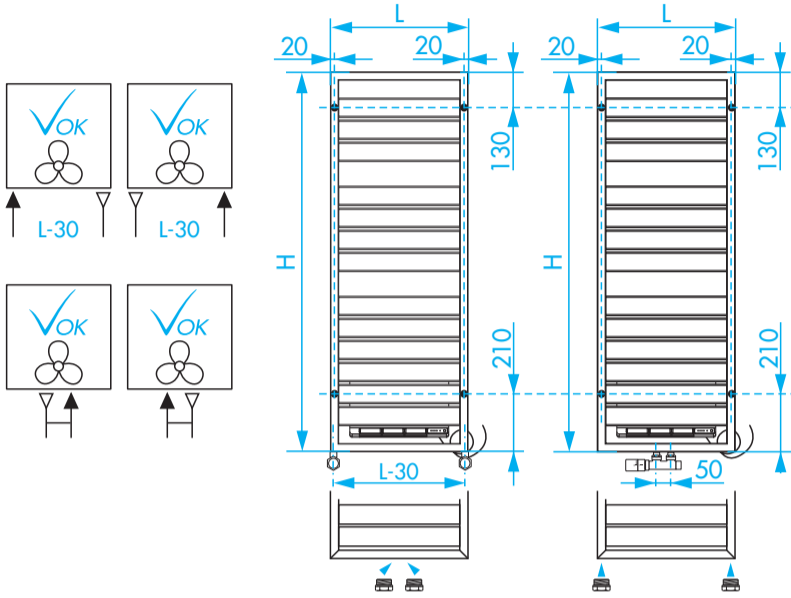
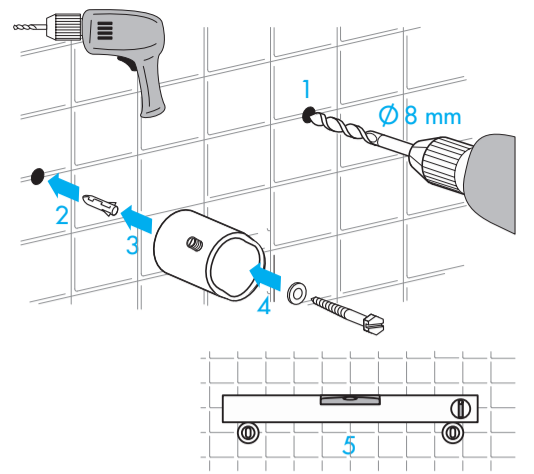
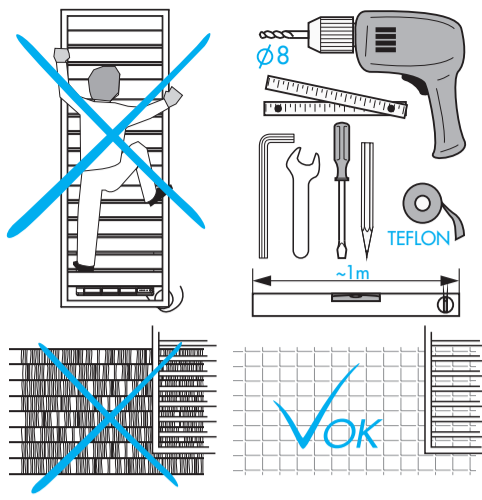
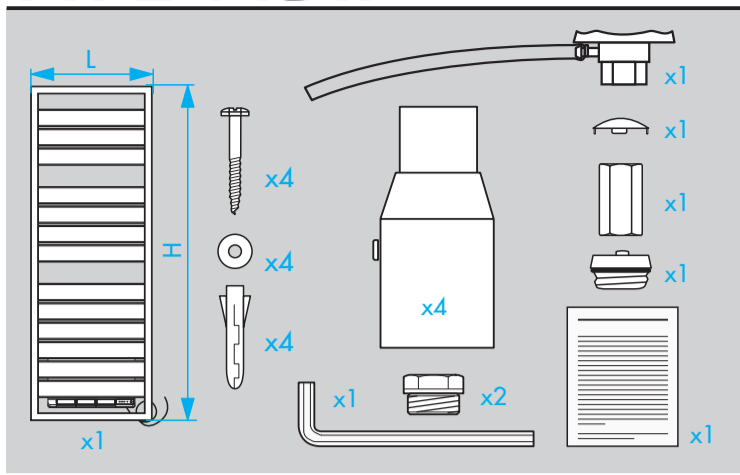
TYPE T130E



© Copyright by PBO 06/18 40018280



TYPE T131F



TYPE T131EF

