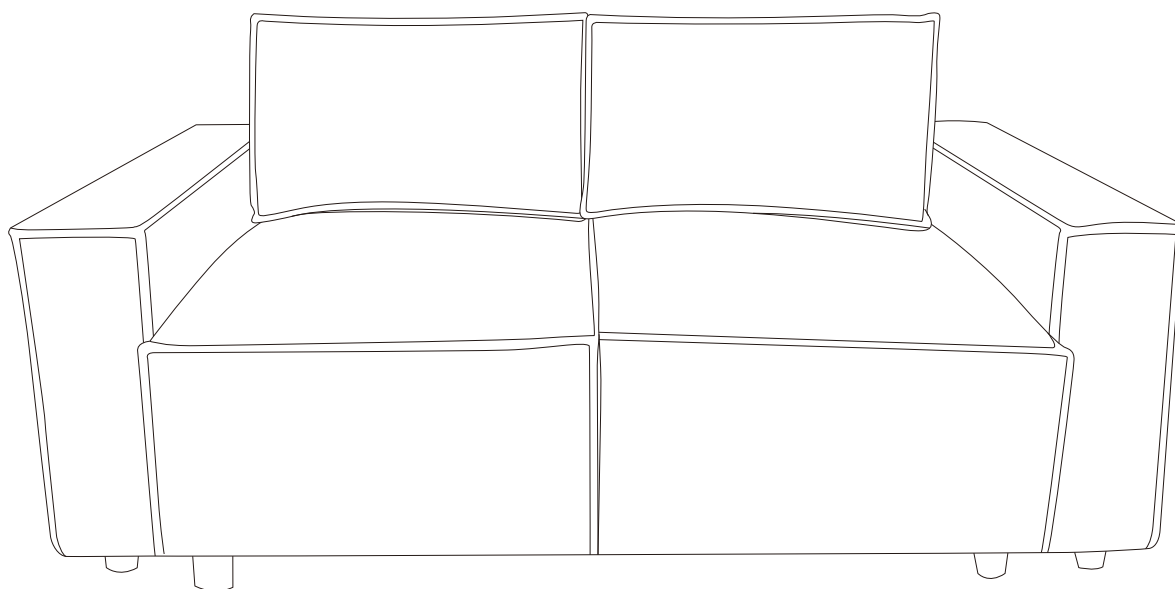










# Montaigne S

1359\_139847



# 1359-139847

A		φ 5x5cm	x10	1/2
B		5x2.5cm	x2	1/2
C		5x2cm	x1	1/2
D		69x43.5x19cm	x2	1/2
E		137x64.5x20cm	x1	1/2
F		138x13.5x59cm	x1	1/2
G		138x76x36cm	x1	1/2
H		88.5x18x50cm	x2	2/2

FR : SAV/INFORMATION /VIDEO/CONTACT

EN: AFTER-SALES SERVICE/INFORMATION/VIDEO/CONTACT

DE : REPARATUR-SERVICE UND ERSATZTEILE /INFORMATIONEN /VIDEO/KONTAKT

ES: SERVICIO POST-VENTA/INFORMACIÓN/VIDEO/CONTACTO

IT: SERVIZIO ASSISTENZA/INFORMAZIONI/VIDEO/CONTATTO

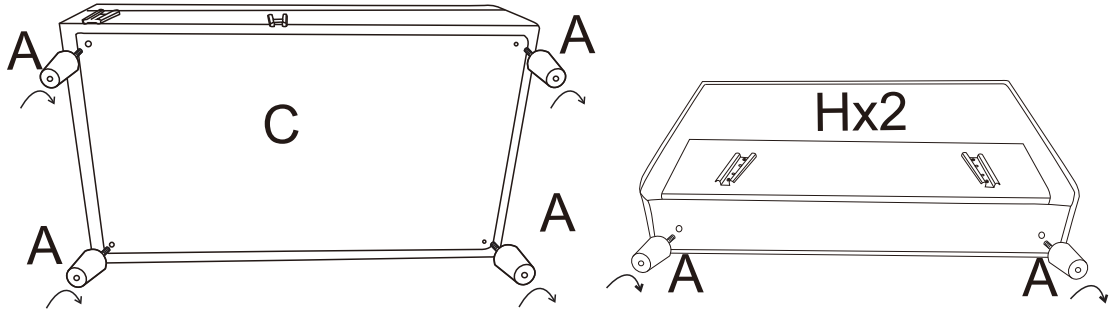
PT: SERVIÇO PÓS-VENDA/INFORMAÇÕES/VIDEO/CONTATO

PL: SERWIS TECHNICZNY/INFORMACJE/WIDEO/KONTAKT

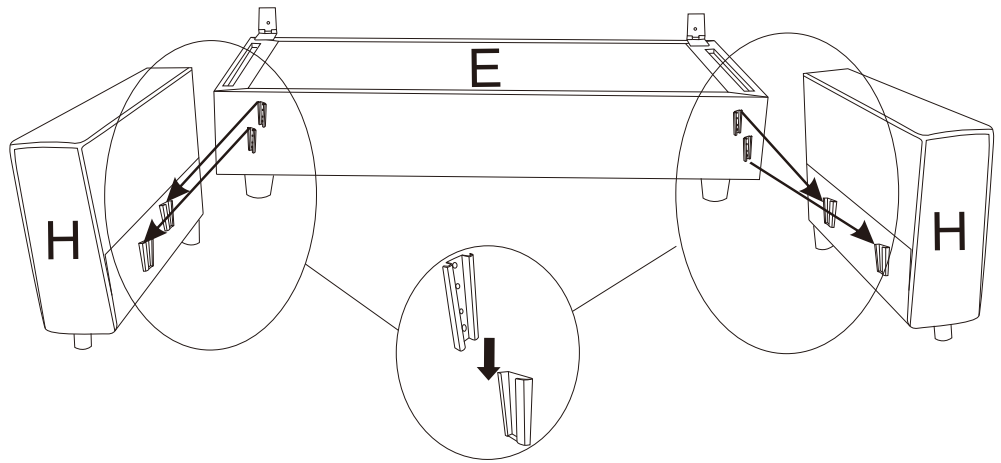
NE: AFTER SALES SERVICE/INFORMATIE/VIDEO/CONTACT

HE: לתקשר עם/הווידיאו/ מידע/לאחר שירות ומכירות

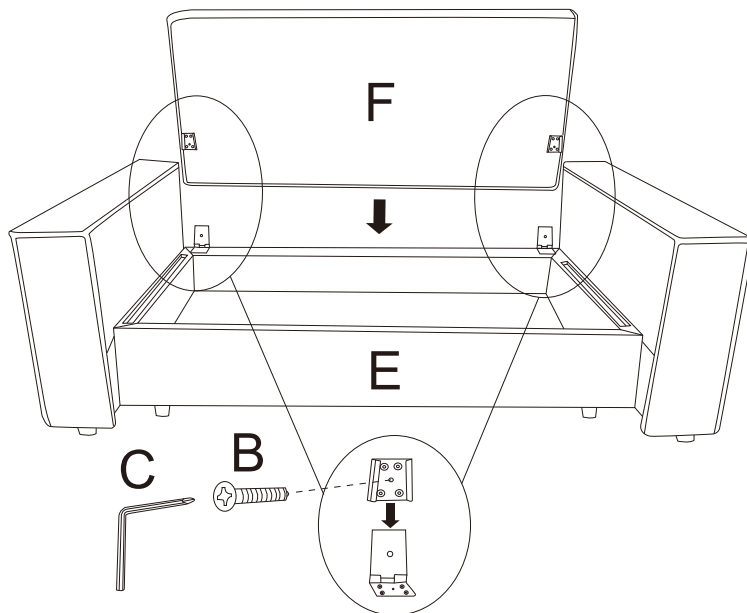
1



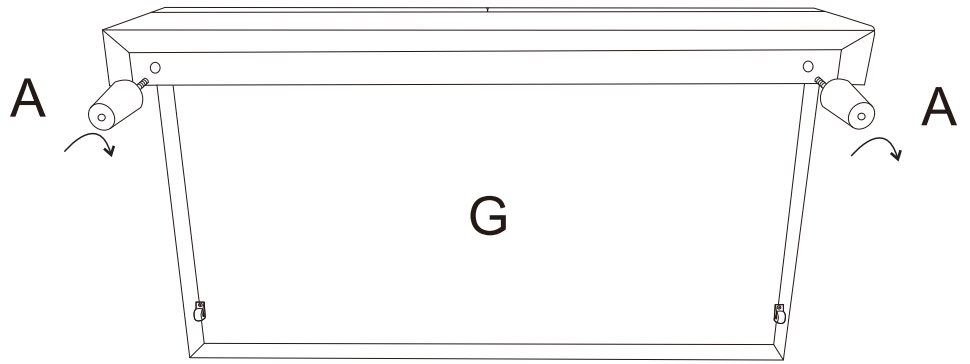
2



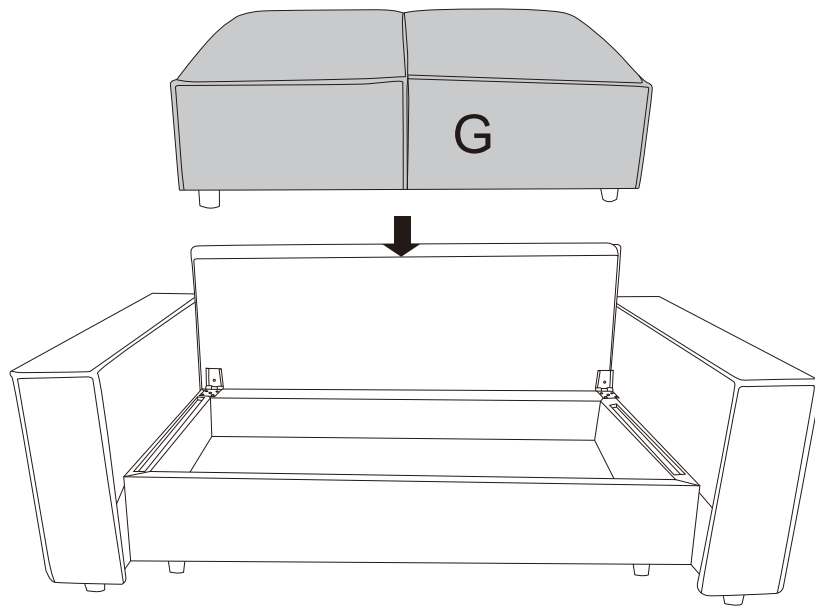
3



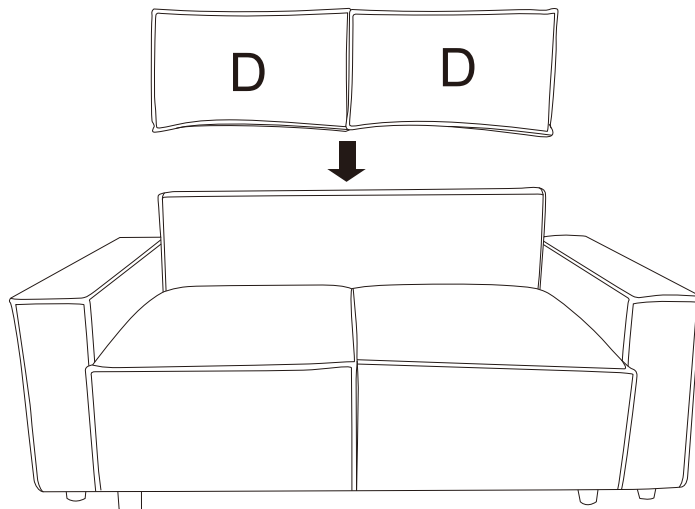
4



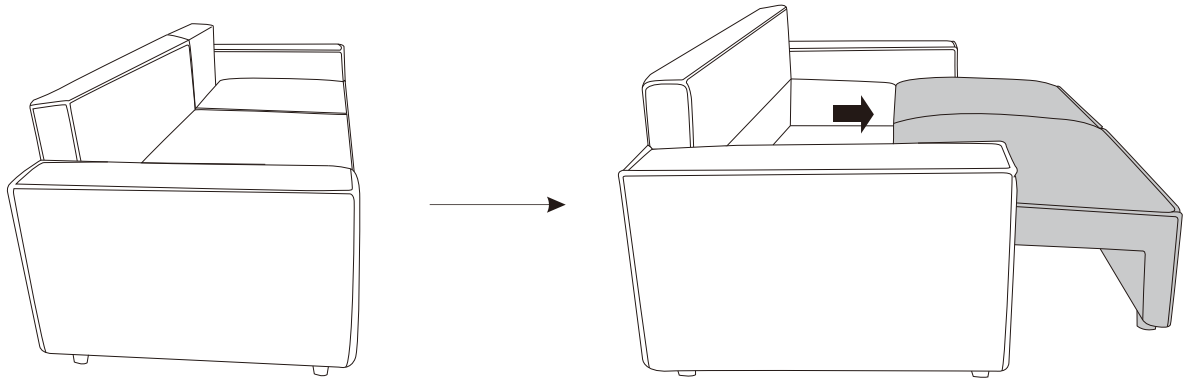
5



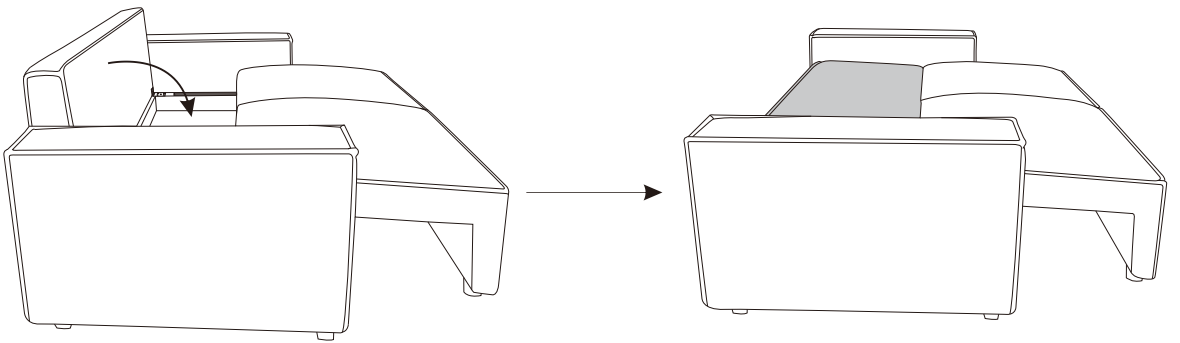
6



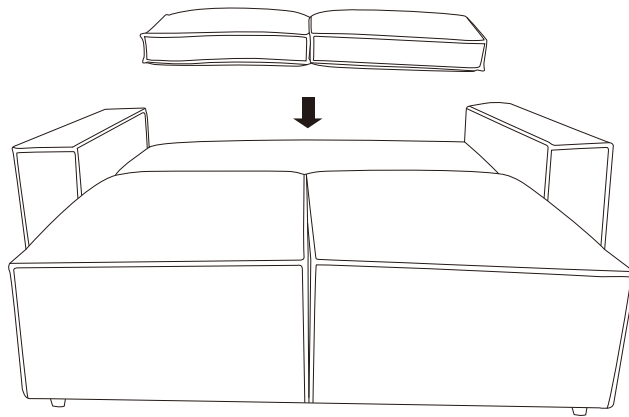
7



8



9



10

