



Tools Required



updated on 13/10/2023

SUMMARY

INTRODUCTION

PAGE 2

TIPS AND WARNINGS

PAGE 3

PARTS LIST

PAGE 5

INSTALLATION STEPS

PAGE 9

INTRODUCTION

Before using the product ,please read this manual carefully and then assemble it.

To avoid any injury or damage to the product,please follow below safety rules.

- Product should to be installed in a dry,flat place indoor.
- Assembly & movement: minimum 2 adults - heavy and fragile product.
- Make sure all screws in the part list included in the hardware package before assembly.
- In the event of a missing items,contact the seller within 48 hours of receiving the product.



ATTENTION



This product is for household use only! And not for commercial use.

Do not use this product for any other over expected purpose. To any commercial use, public or institutional, disclaims all liability and cancels all guarantees.

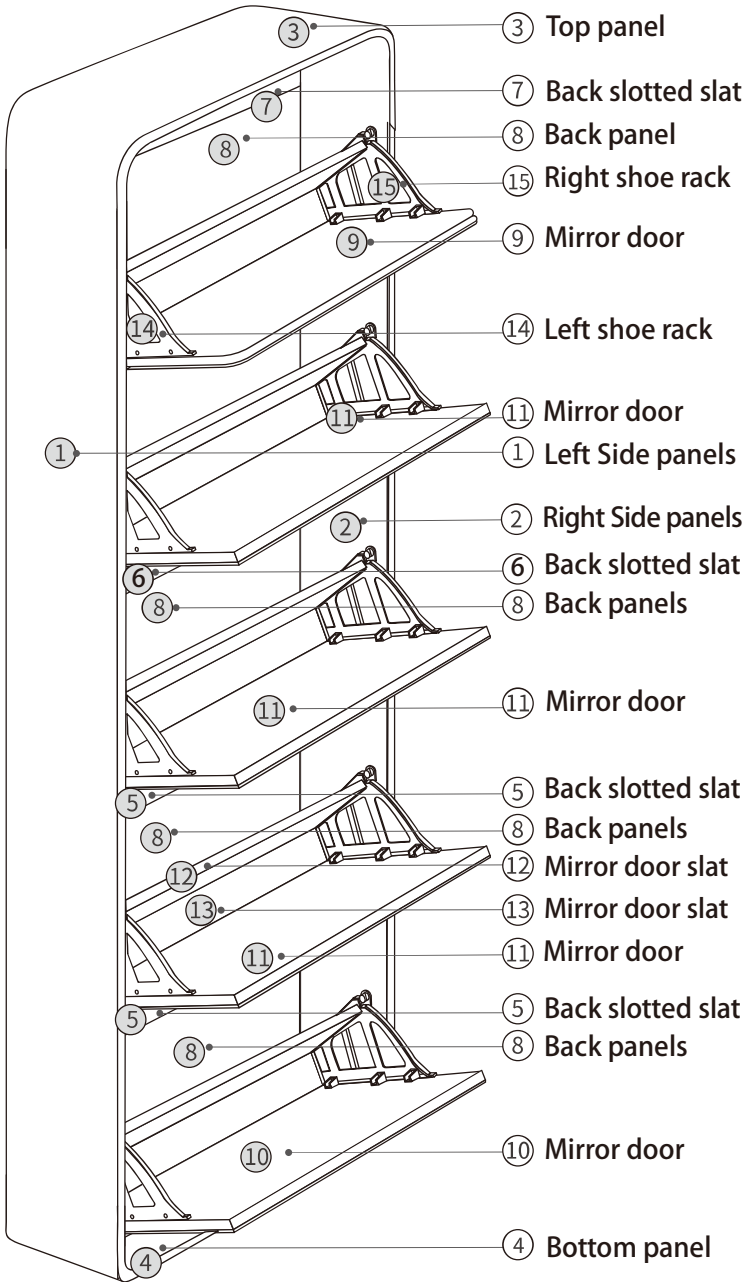
TIPS AND WARNINGS:

- Do not lean on the shoe cabinet.
- Do not store in a damp room or outdoor.
- Beware of the risks of pinching and puncturing during installation.
- Beware of the risk of mirror damage.

Maintenance :

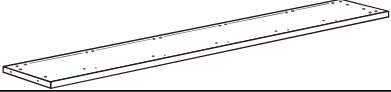
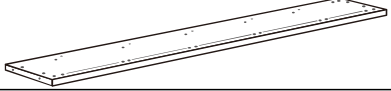











Cleaning with a dry cloth.



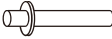
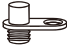





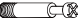
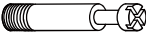







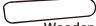
Far away from water or wet shoes.



PART LIST

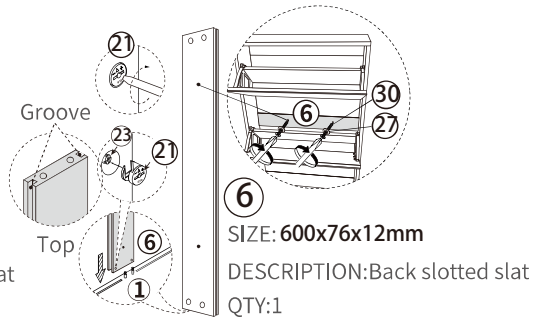
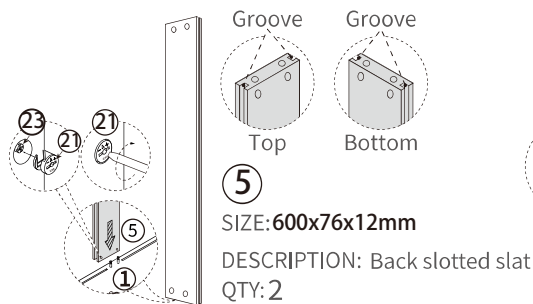
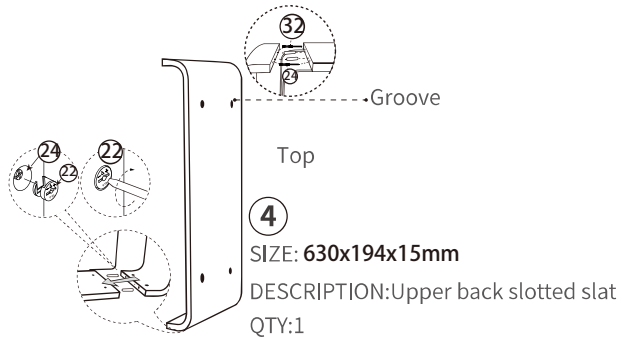
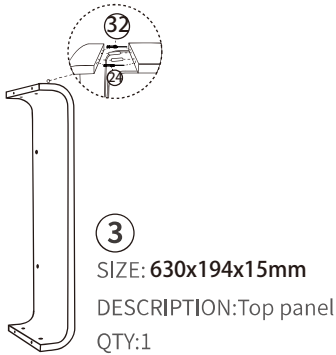
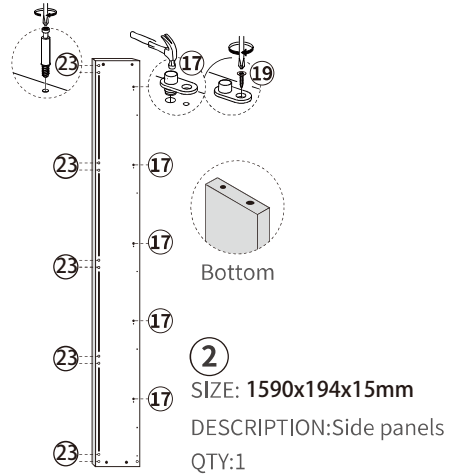
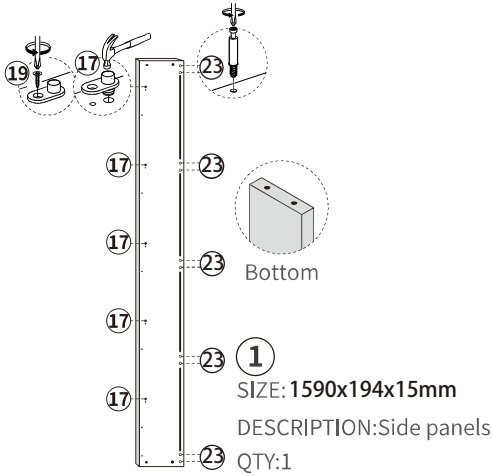
Illustration picture for reference only

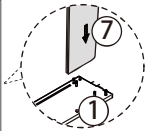
NO.	DESCRIPTION	QTY	SIZE	ILLUSTRATION
①	Left Side panel	1	1590x194x15mm	
②	Right Side panel	1	1590x194x15mm	
③	Top panel	1	630x194x15mm	
④	Bottom panel	1	630x194x15mm	
⑤	Back slotted slat	2	600x76x12mm	
⑥	Back slotted slat	1	600x76x12mm	
⑦	Back slotted slat	2	600x198x12mm	
⑧	Back panels	4	670x290x5mm	
⑨	Mirror door	1	595x340x12mm	
⑩	Mirror door	1	595x340x12mm	
⑪	Mirror door	3	595x340x12mm	
⑫	Mirror door slat	5	585x128x12mm	
⑬	Mirror door slat	5	585x80x12mm	

NO.	ILLUSTRATION	QTY	SIZE
14	 Left shoe rack	5	
15	 Right shoe rack	5	
16		10	
17		10	
18		20	3.5x10mm
19		10	3.5x14mm
20		30	3.5x16mm
21		24	
22		8	
23		24	
24		8	
25		4	
26		2	
27		6	
28		2	3.5x14mm
29		2	3.5x25mm
30		2	3.5x45mm
31	 anti-falling	2	
32	 Wooden mortise	8	8x40mm

PART DETAIL ILLUSTRATION

Illustration picture for reference only



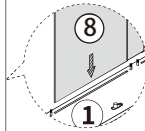
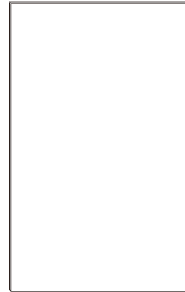


7

SIZE: 600x198x12mm

DESCRIPTION: Back slotted slat

QTY: 2

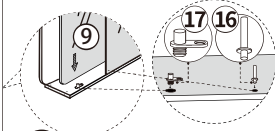


8

SIZE: 600x290x5mm

DESCRIPTION: Back panel slat

QTY: 4

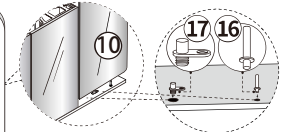
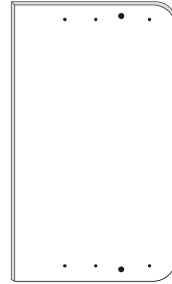


9

SIZE: 595x340x12mm

DESCRIPTION: Mirror door

QTY: 1

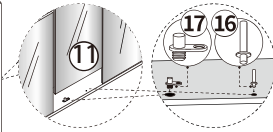


10

SIZE: 595x340x12mm

DESCRIPTION: Mirror door

QTY: 1

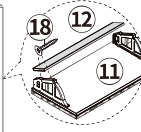
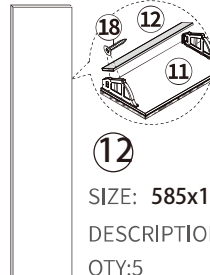


11

SIZE: 595x340x12mm

DESCRIPTION: Mirror door

QTY: 3

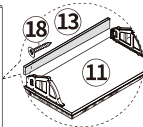
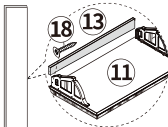


12

SIZE: 585x128x12mm

DESCRIPTION: Mirror door slat

QTY: 5



13

SIZE: 585x80x12mm

DESCRIPTION: Mirror door slat

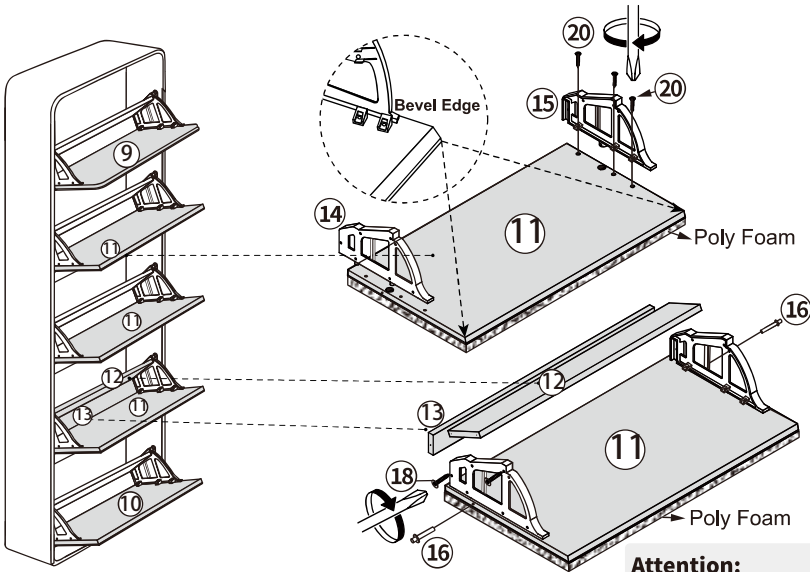
QTY: 5

INSTALLATION STEPS

Please read the instructions carefully before assembling the cabinet.

Two adults are required for assembly of this product on a clean, flat surface instead of a rough surface.

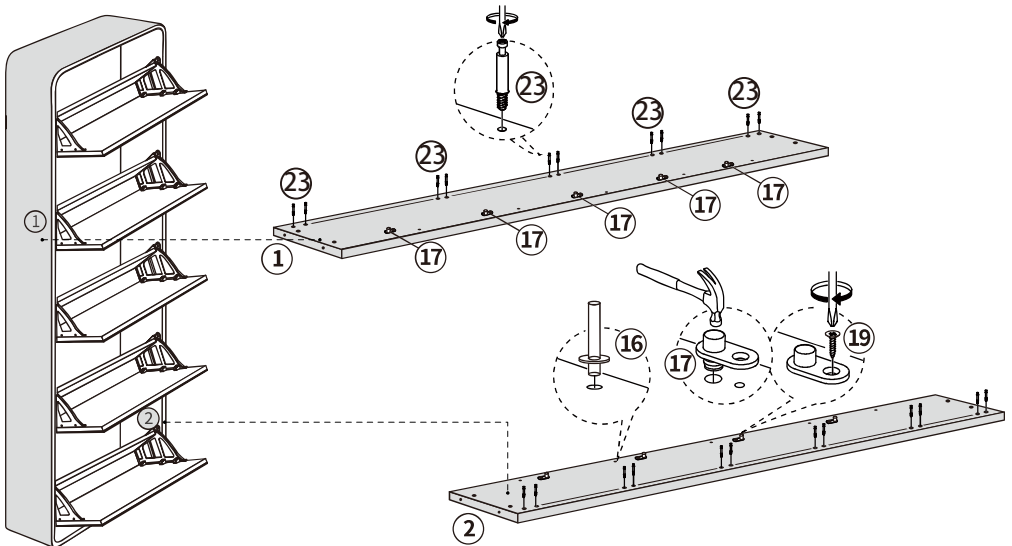
STEP 1 | Assemble 5 mirror door to tipping bucket



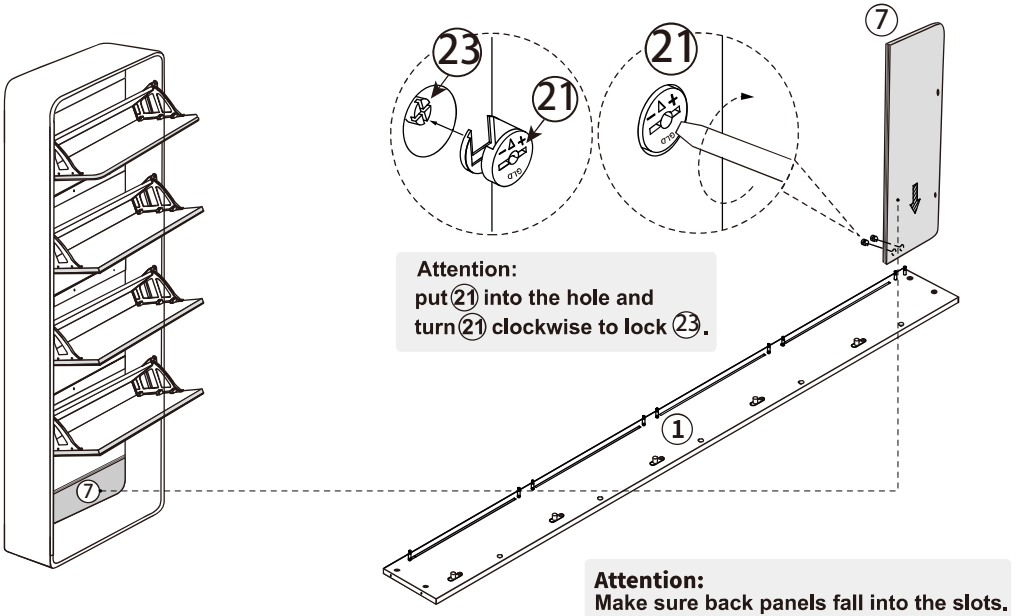
Attention:

Please protect mirror with polyfoam.

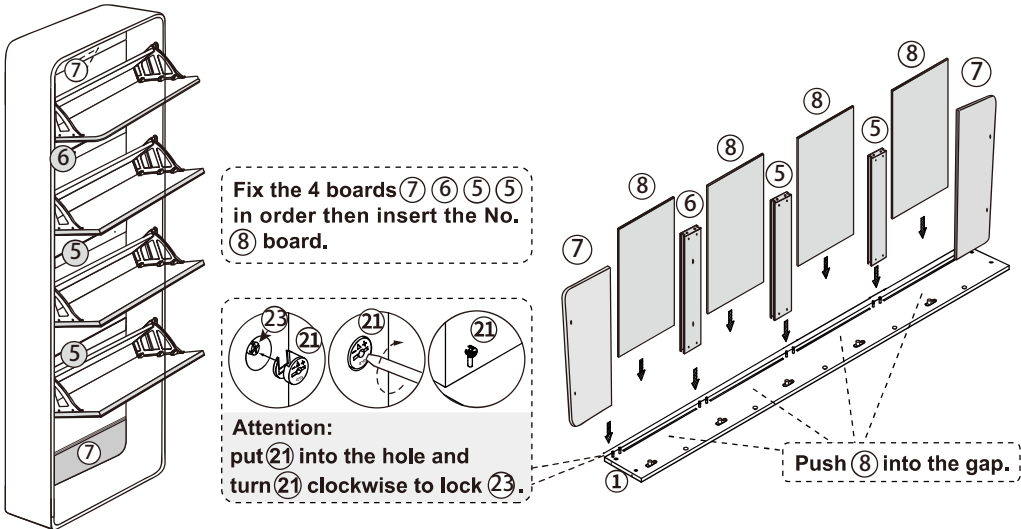
STEP 2 | Screw on the side panels



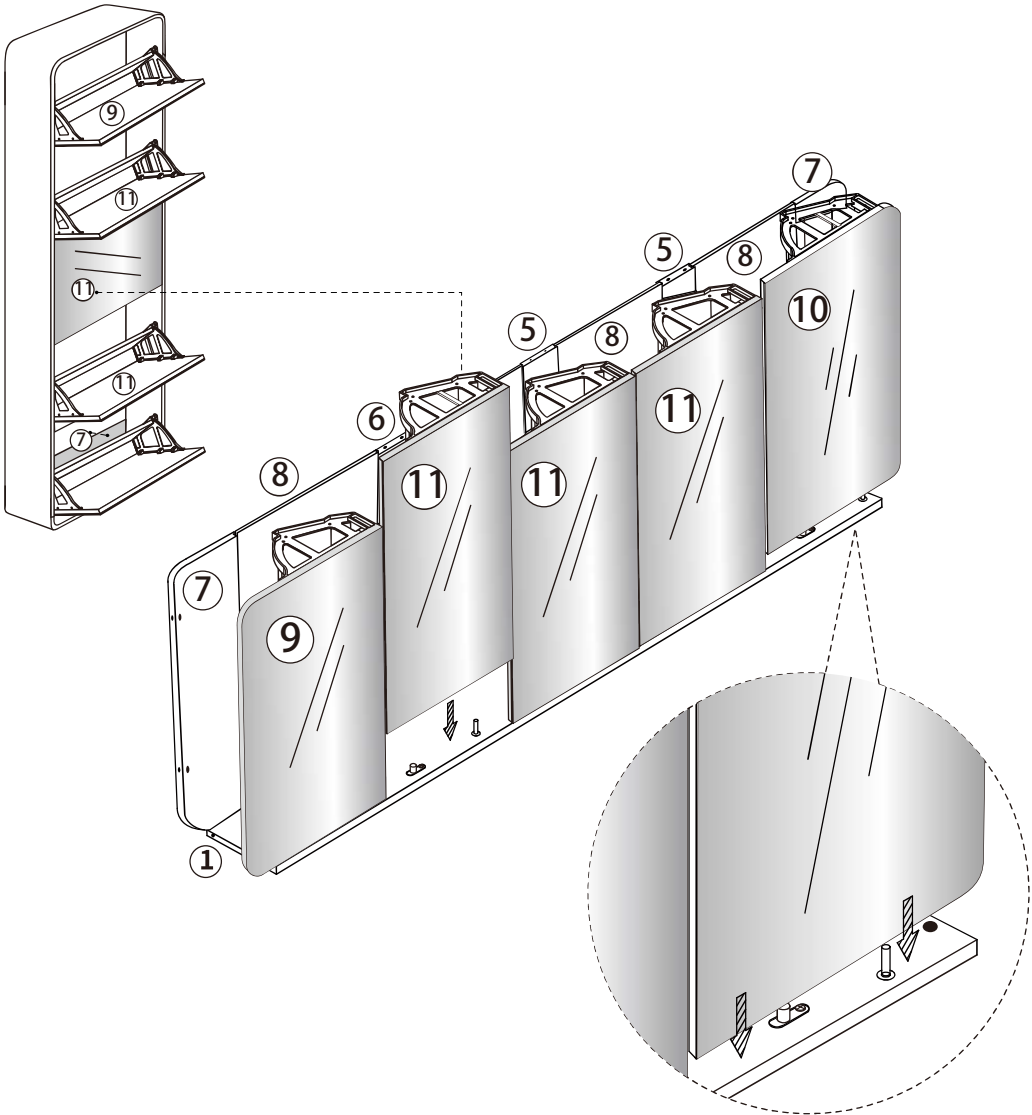
STEP 3 | Insert the wood pin and screws install the bottom slats.



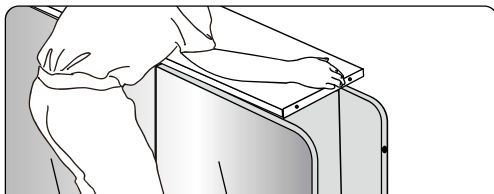
STEP 4 | Insert 4 pcs back panel make sure panels fall into the slots.



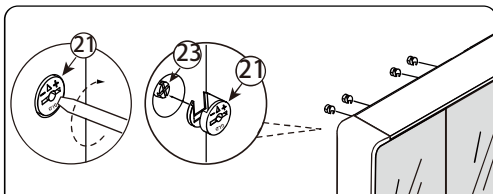
STEP 5 | Insert tipping bucket to side panels



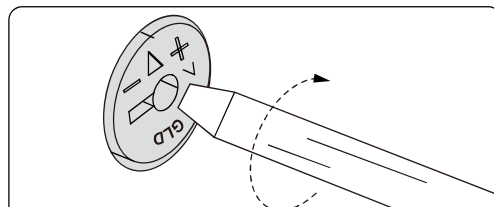
STEP 6 | Insert side panel on the top panel



Attention:
Make sure side panel fall into slots,if the side panel is not fully fit,please tap the side panel tightly to adjust.

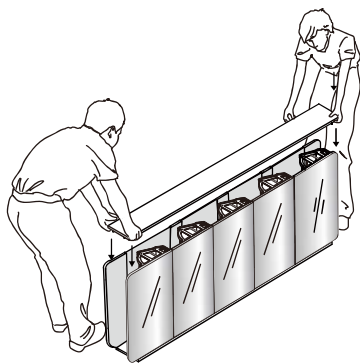


Attention:
Make sure all screws locked tightly.

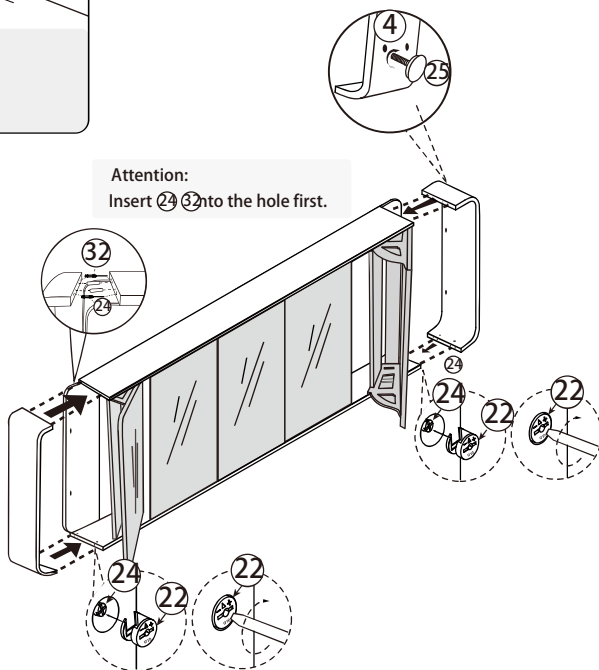


Attention:
put ②① into the hole and
turn ②① clockwise to lock ②③ .

Attention:
When the ground is uneven , we can adjust
the balance by adjusting the parts #25



Attention:
Insert ②④③ into the hole first.

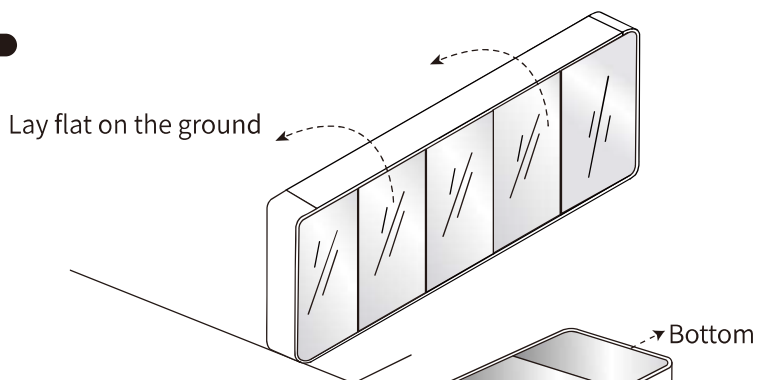


STEP 7 | Lift the shoe cabinet and straighten it

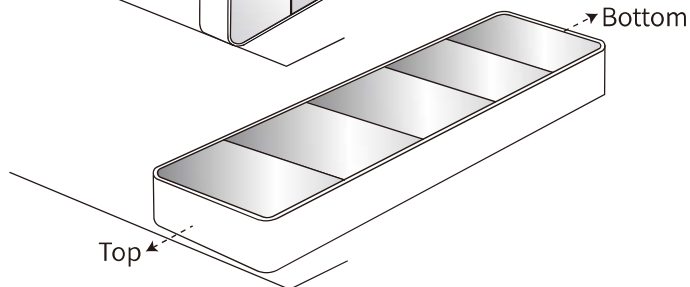


Place the installed shoe cabinet flat on the ground then raise it up using two people. **Mirror** must on the top when you raise it up. Do not let the moveable door panel fall off.

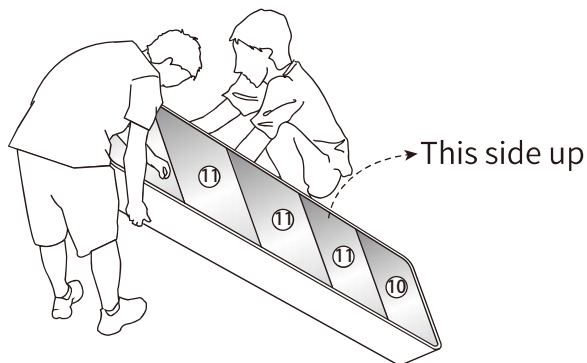
STEP 1



STEP 2



STEP 3



STEP 9 | Install the anti-falling screws

