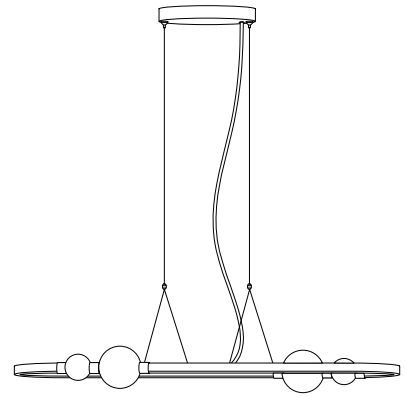
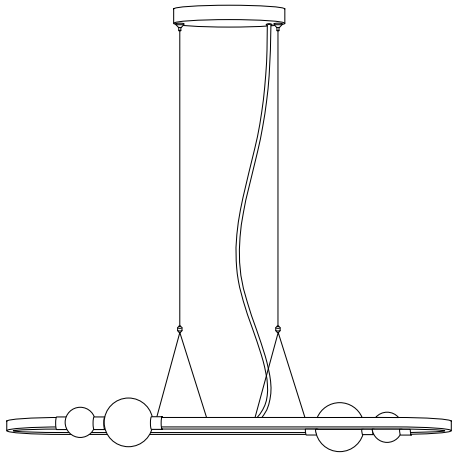

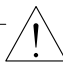



FEALE




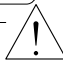







15'



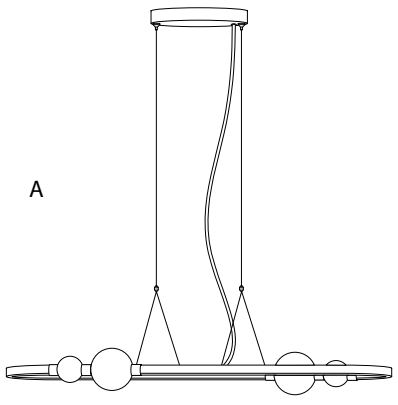





1

1/5

1394/FEALE/280223/

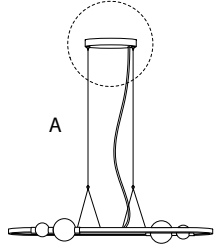


1



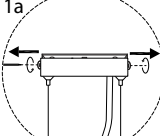
A

x 1

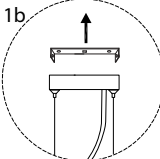


A


1a



1b




2



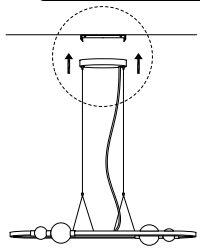
B

x 2

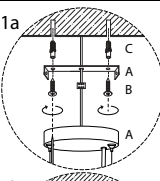


C

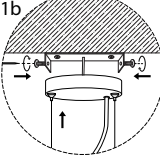
x 2

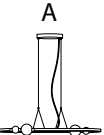




1a

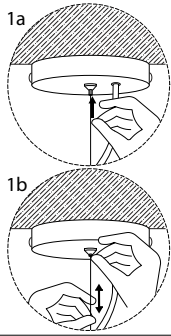
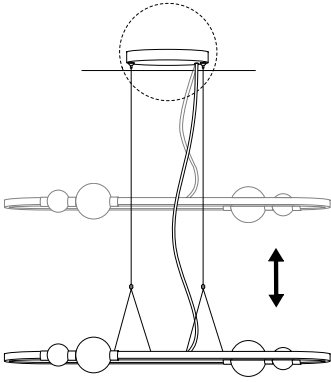


1b



 <p>A</p> <p>x 1</p>	 <p>B</p> <p>x 2</p>	 <p>C</p> <p>x 2</p>
--	--	--

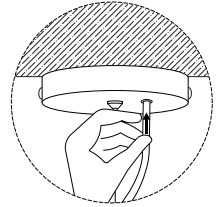
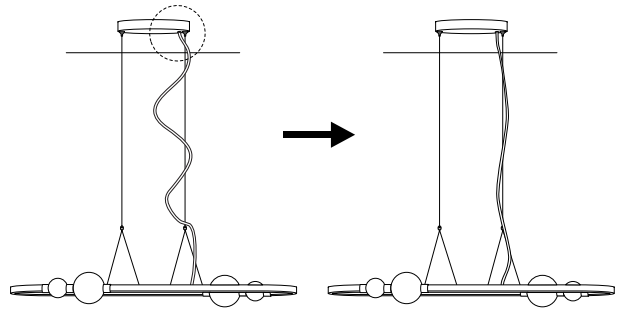
!



4/5

1394/FEAL/E/280223/

!



5/5

1394/FEAL/E/280223/