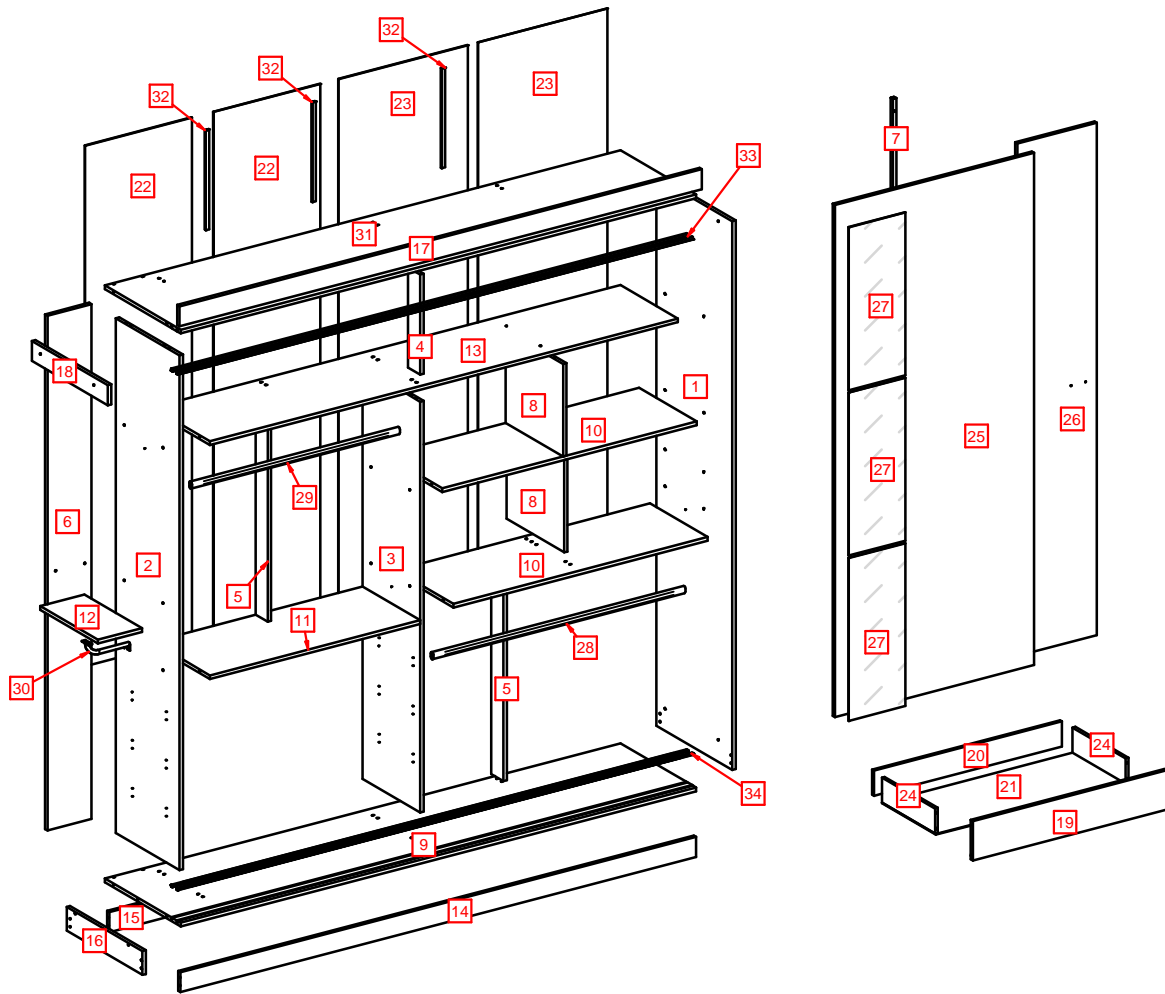


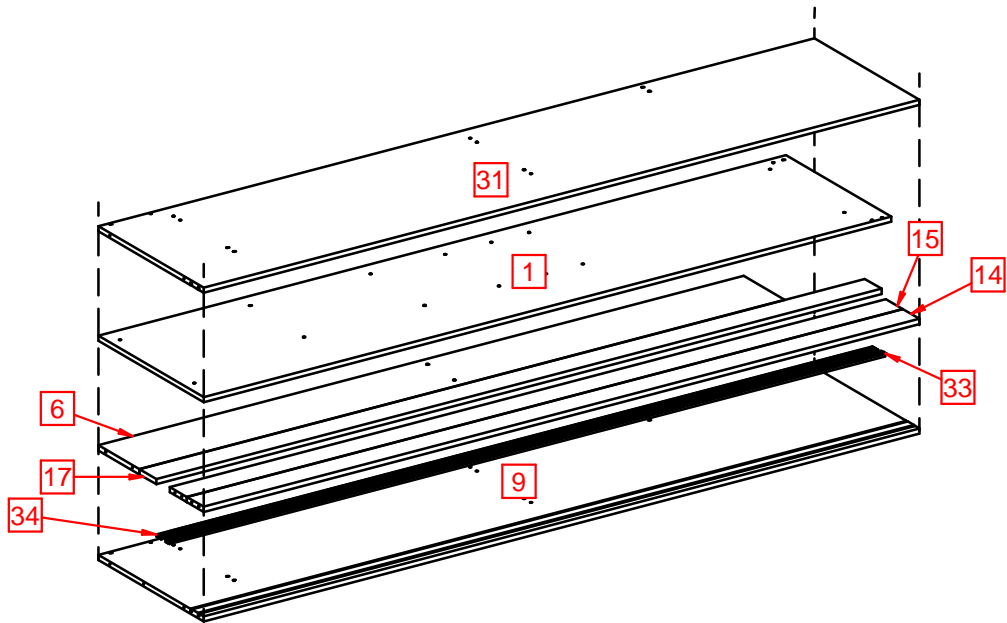
## Contents of packages - Ref. 1067



#	Qty	Part	Dimensions	Box
1	1	Right Side	2190 x 500 x 15	1
2	1	Left Side	2055 x 420 x 15	2
3	1	Division	1640 x 380 x 15	2
4	1	Smaller Crosspiece	399 x 80 x 15	3
5	2	Larger Crosspiece	873 x 80 x 15	3
6	1	Side Back Panel	2055 x 195 x 15	1
7	2	Door Support	15 x 15 x 1,02 x 1970	2
8	2	Niche Division	369 x 380 x 15	3
9	1	Base	2280 x 500 x 15	1
10	2	Fixed Shelf	1125 x 380 x 15	3
11	1	Shelf over Drawers	930 x 380 x 15	3
12	1	Shelf Corner	195 x 380 x 15	2
13	1	Intermediate Top	2070 x 380 x 15	2
14	1	Frontal Baseboard	2280 x 80 x 15	1
15	1	Back Baseboard	2280 x 80 x 15	1
16	1	Side Baseboard	500 x 95 x 15	3
17	1	Frontal Frame	2310 x 80 x 15	1
18	1	Side Frame	500 x 80 x 15	3

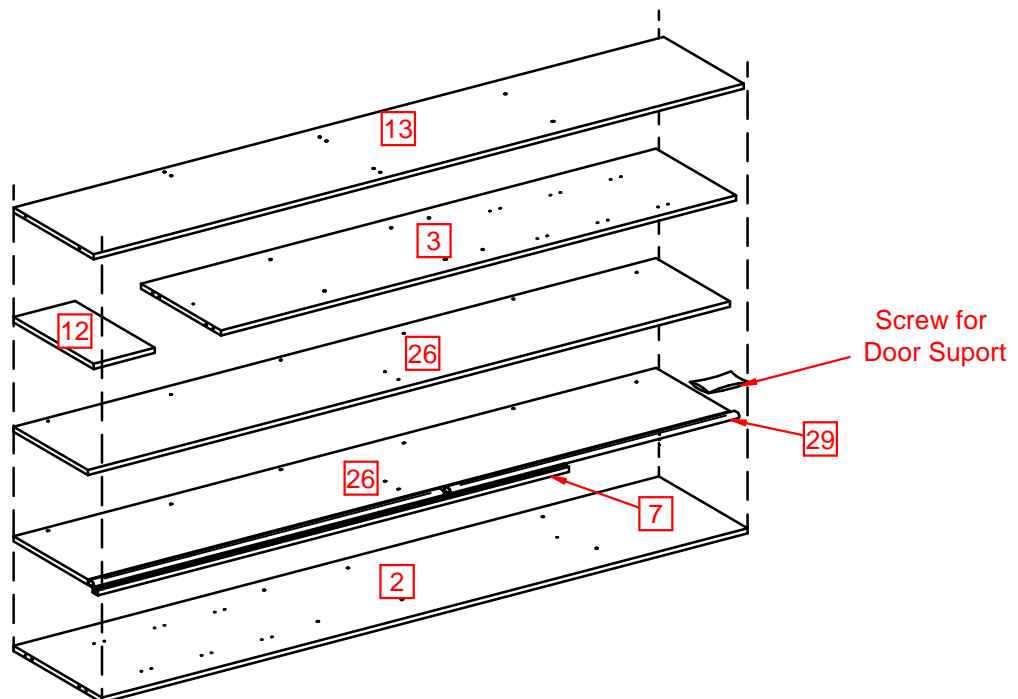
#	Qty	Part	Dimensions	Box
19	3	Drawer Front	857 x 157 x 15	3
20	3	Drawer Back	831 x 100 x 12	3
21	3	Drawer Bottom	855 x 355 x 2,5	3
22	2	Smaller Back Panel	2079 x 472 x 2,5	4
23	2	Larger Back Panel	2079 x 572 x 2,5	4
24	6	Drawer Side	350 x 100 x 12	3
25	2	Sliding Door	2045 x 880 x 15	4
26	2	Sliding Door Panel	2045 x 352 x 15	2
27	3	Mirror	650 x 250 x 3	5
28	1	Larger Hanger Rail	1115mm	2
29	1	Smaller Hanger Rail	920mm	2
30	1	External Hanger Rail	193 x 45 x 73	3
31	1	Top	2280 x 500 x 15	1
32	3	Back Profile	398 x 15 x 6	3
33	2	Upper Profile	2279mm	1
34	2	Lower Profile	2279mm	1
35	3	Metalic Slide	350 mm	3
36	2	Handle	120 x 16 x 17	3

## BOX 1/5



#	Qty	Part	Dimensions	Box	#	Qty	Part	Dimensions	Box
					15	1	Back Baseboard	2280 x 80 x 15	1
1	1	Right Side	2190 x 500 x 15	1	17	1	Frontal Frame	2310 x 80 x 15	1
6	1	Side Back Panel	2055 x 195 x 15	1	31	1	Top	2280 x 500 x 15	1
9	1	Base	2280 x 500 x 15	1	33	2	Upper Profile	Comprimento 2279mm	1
14	1	Frontal Baseboard	2280 x 80 x 15	1	34	2	Lower Profile	Comprimento: 2279mm	1

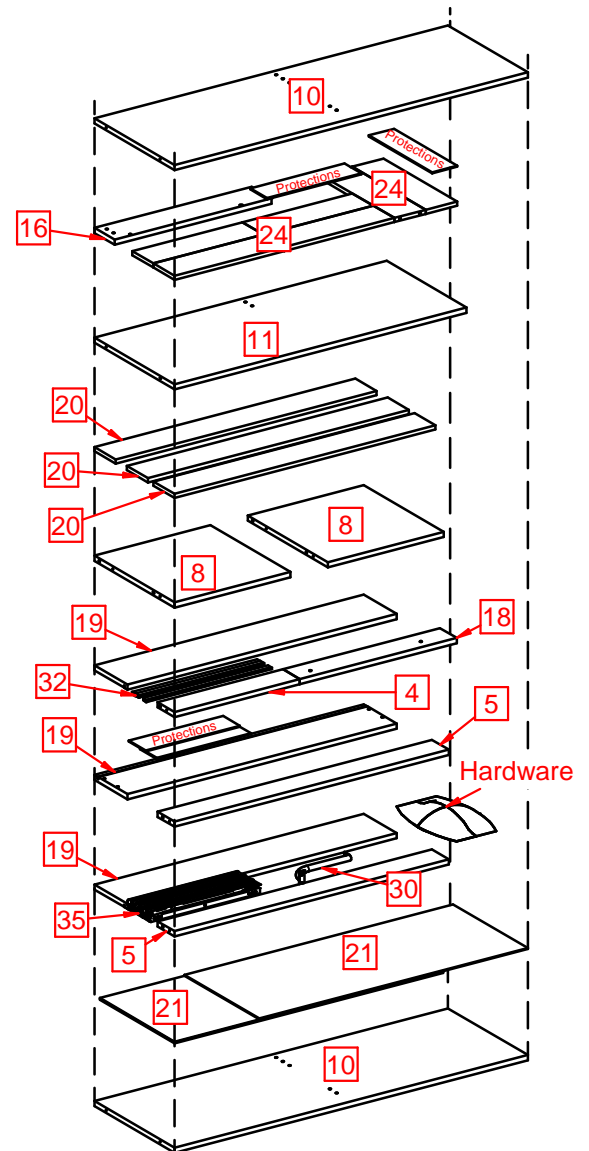
## BOX 2/5



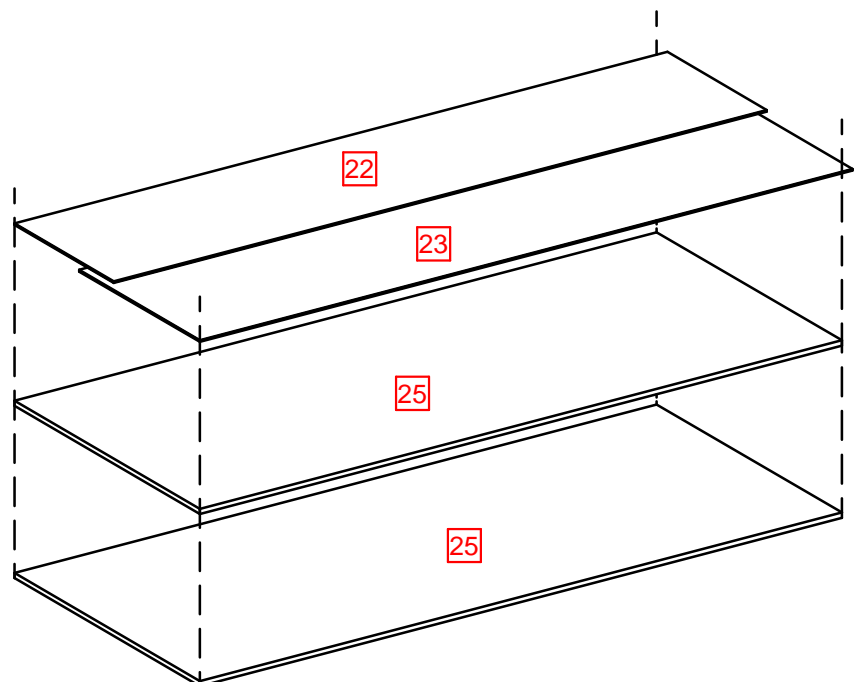
#	Qty	Part	Dimensions	Box	#	Qty	Part	Dimensions	Box
					26	2	Sliding Door Panel	2045 x 352 x 15	2
2	1	Left Side	2055 x 420 x 15	2	28	1	Larger Hanger Rail	28 x 16 x 0,45 x 1115	2
3	1	Division	1640 x 380 x 15	2	29	1	Smaller Hanger Rail	28 x 16 x 0,45 x 920	2
12	1	Shelf Corner	195 x 380 x 15	2	7	2	Door Suport	1500 x 15 x 15 x 0,90	2
13	1	Intermediate Top	2070 x 380 x 15	2	-	1	Screw for Door Suport	-	2

## BOX 3/5

#	Qty	Part	Dimensions	Box
4	1	Smaller Crosspiece	399 x 80 x 15	3
5	2	Larger Crosspiece	873 x 80 x 15	3
8	2	Niche Division	369 x 380 x 15	3
10	2	Fixed Shelf	1125 x 380 x 15	3
11	1	Shelf over Drawers	930 x 380 x 15	3
16	1	Side Baseboard	500 x 95 x 15	3
18	1	Side Frame	500 x 80 x 15	3
19	3	Drawer Front	857 x 157 x 15	3
20	3	Drawer Back	831 x 100 x 12	3
21	3	Drawer Bottom	855 x 355 x 2,5	3
24	6	Drawer Side	350 x 100 x 12	3
30	1	External Hanger Rail	193 x 45 x 73	3
32	3	Back Profile	398 x 15 x 6	3
35	3	Metalic Slide	Comp. 350mm	3
-	1	Hardware		3

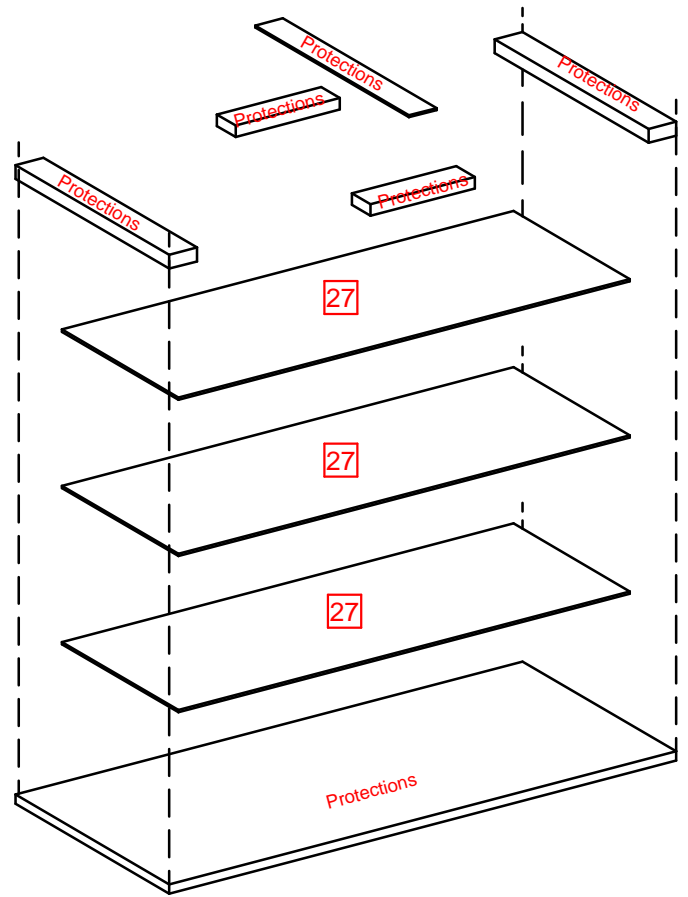


## BOX 4/5



#	Qty	Part	Dimensions	Box
22	2	Smaller Back Panel	2079 x 472 x 2,5	4
23	2	Larger Back Panel	2079 x 572 x 2,5	4
25	2	Sliding Door	2045 x 880 x 15	4

# BOX 5/5



#	Qty	Part	Dimensions	Box
27	3	Mirror	650 x 250 x 3	5