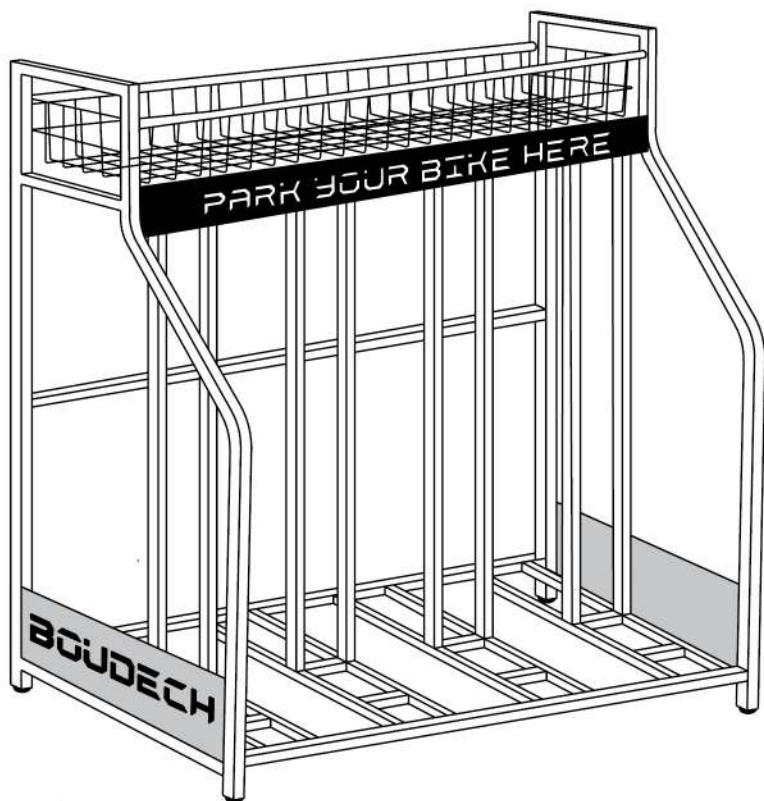


# ***PARRADE***

**FREESTANDING BIKE STORAGE**



IT






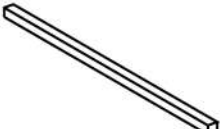
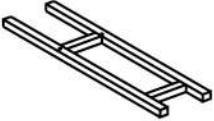


FR

UK






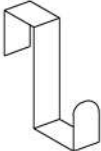

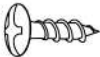



ES

**BOUDECH**

# LISTA PARTI/PARTS LIST/LISTA DE PARTES/ LISTE DES PARTIES

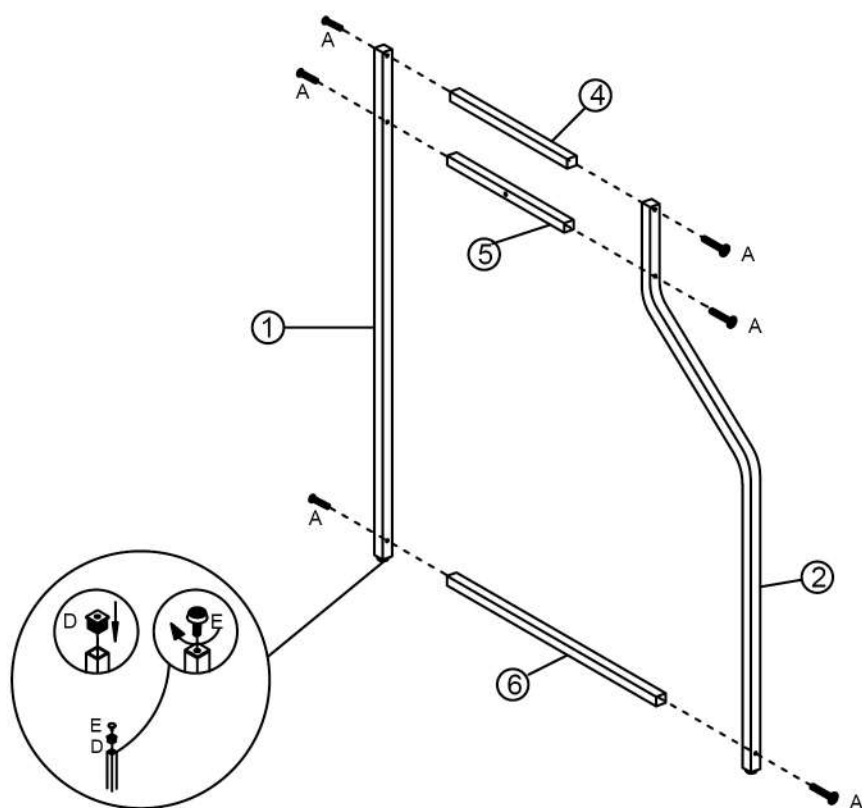
<p>①</p>  <p>x2</p>	<p>②</p>  <p>x1</p>	<p>③</p>  <p>x1</p>
<p>④</p>  <p>x2</p>	<p>⑤</p>  <p>x2</p>	<p>⑥</p>  <p>x2</p>
<p>⑦</p>  <p>x4</p>	<p>⑧</p>  <p>x8</p>	<p>⑨</p>  <p>x2</p>

# LISTA PARTI/PARTS LIST/LISTA DE PARTES/ LISTE DES PARTIES

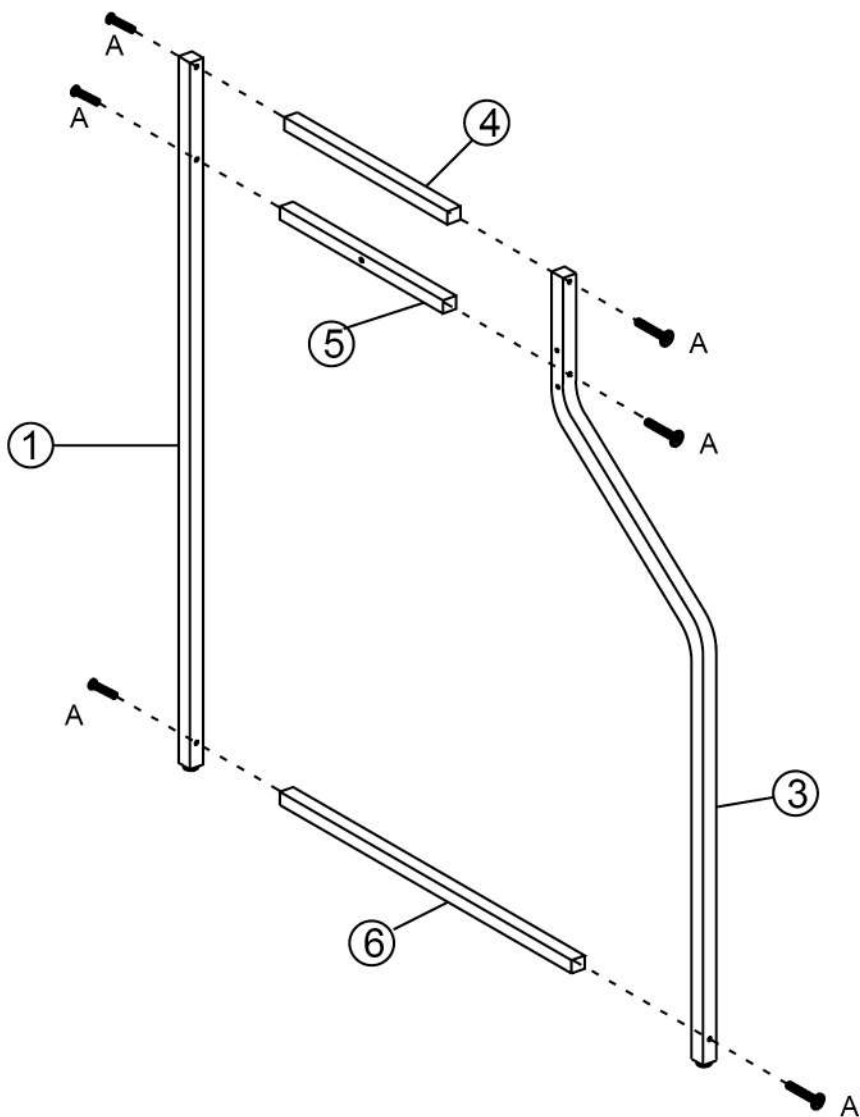
<p>⑩</p>  <p>x1</p>	<p>⑪</p>  <p>x1</p>	<p>⑫</p>  <p>x1</p>
<p>⑬</p>  <p>x2</p>	<p>⑭</p>  <p>x1</p>	<p>⑮</p>  <p>x4</p>
<p>A</p>  <p>x56</p>	<p>B</p>  <p>x12</p>	<p>D</p>  <p>x4</p>
<p>E</p>  <p>x4</p>	<p>F</p>  <p>x1</p>	

# ASSEMBLY/MONTAGGIO/MONTAJE/MONTAGE

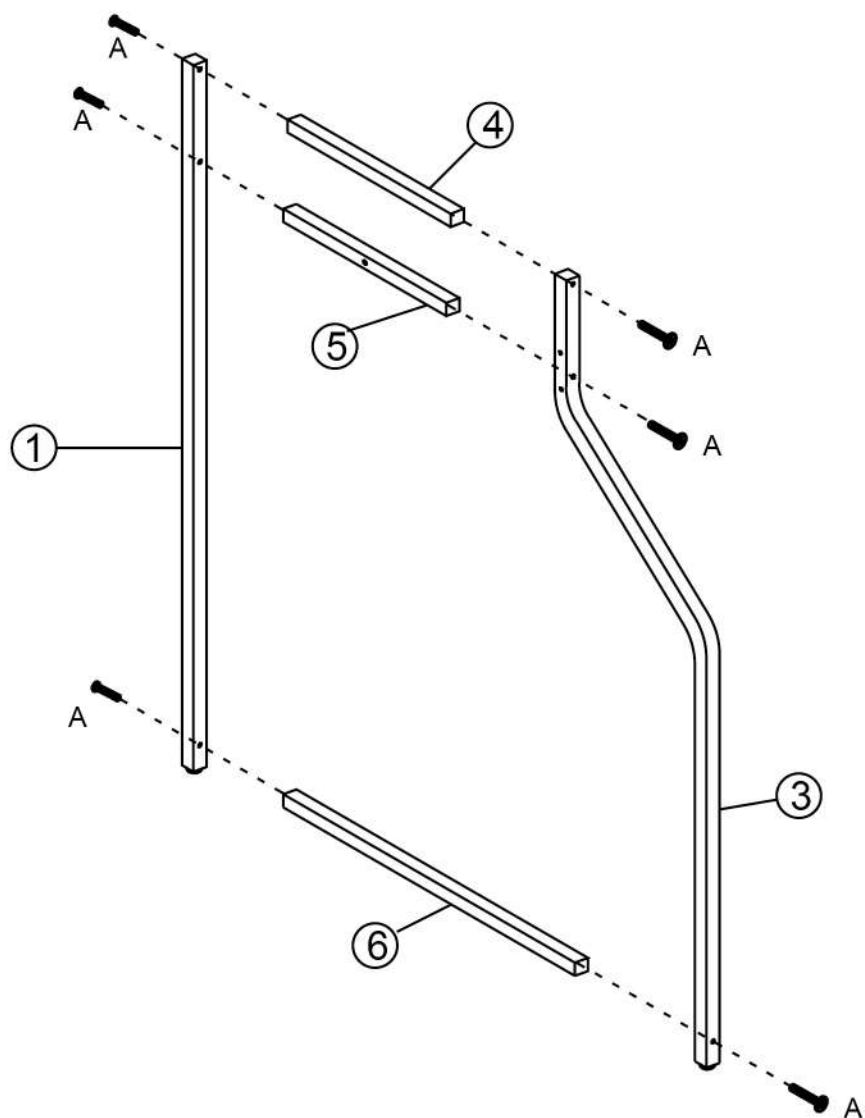
IT	Inserire D e E nella parte inferiore di NO. 1, NO.2 e NO.3 Utilizzare la vite A per collegare NO.1, NO.2, NO.4, NO.5 e NO.6.
UK	Insert D and E into the bottom of NO. 1, NO.2, and NO.3 Use screw A to connect NO.1, NO.2, NO.4, NO.5, and NO.6.
ES	Insertar D y E en la parte inferior de NO. 1, NO.2 y NO.3 Utilizar el tornillo A para conectar NO.1, NO.2, NO.4, NO.5 y NO.6.
FR	Insérer D et E dans le bas de NO. 1, NO.2 et NO.3 Utiliser la vis A pour raccorder les vis NO.1, NO.2, NO.4, NO.5 et NO.6.



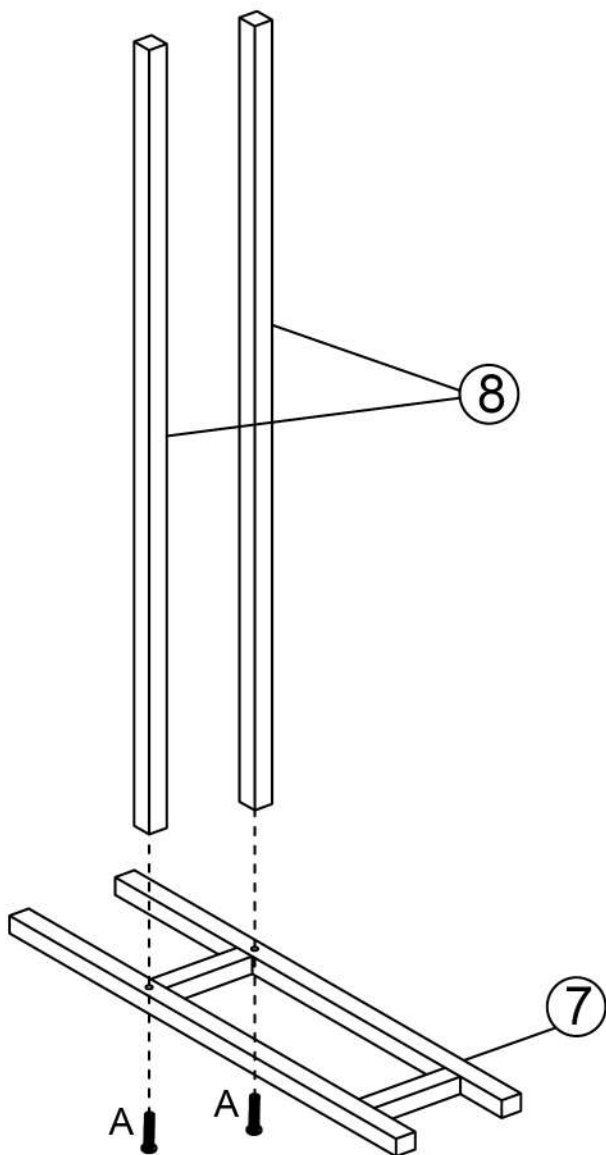
IT	Utilizzare la vite A per collegare NO.1, NO.3, NO.4, NO.5 e NO.6.
UK	Use screw A to connect NO.1, NO.3, NO.4, NO.5, and NO.6.
ES	Utilice el tornillo A para conectar los conectores NO.1, NO.3, NO.4, NO.5 y NO.6.
FR	Utiliser la vis A pour raccorder les vis NO.1, NO.3, NO.4, NO.5 et NO.6.



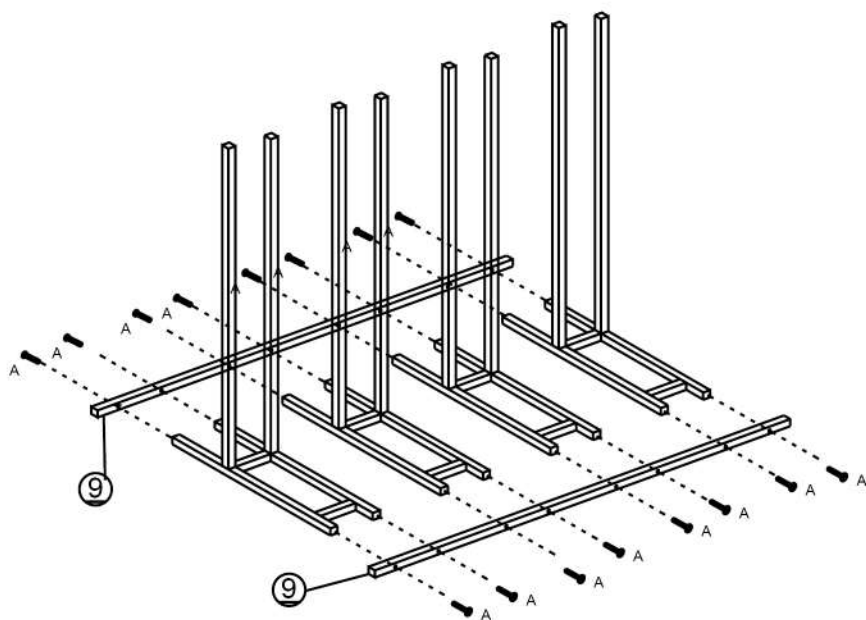
IT	Utilizzare la vite A per collegare NO.1, NO.3, NO.4, NO.5 e NO.6.
UK	Use screw A to connect NO.1, NO.3, NO.4, NO.5, and NO.6.
ES	Utilice el tornillo A para conectar los conectores NO.1, NO.3, NO.4, NO.5 y NO.6.
FR	Utiliser la vis A pour raccorder les vis NO.1, NO.3, NO.4, NO.5 et NO.6.



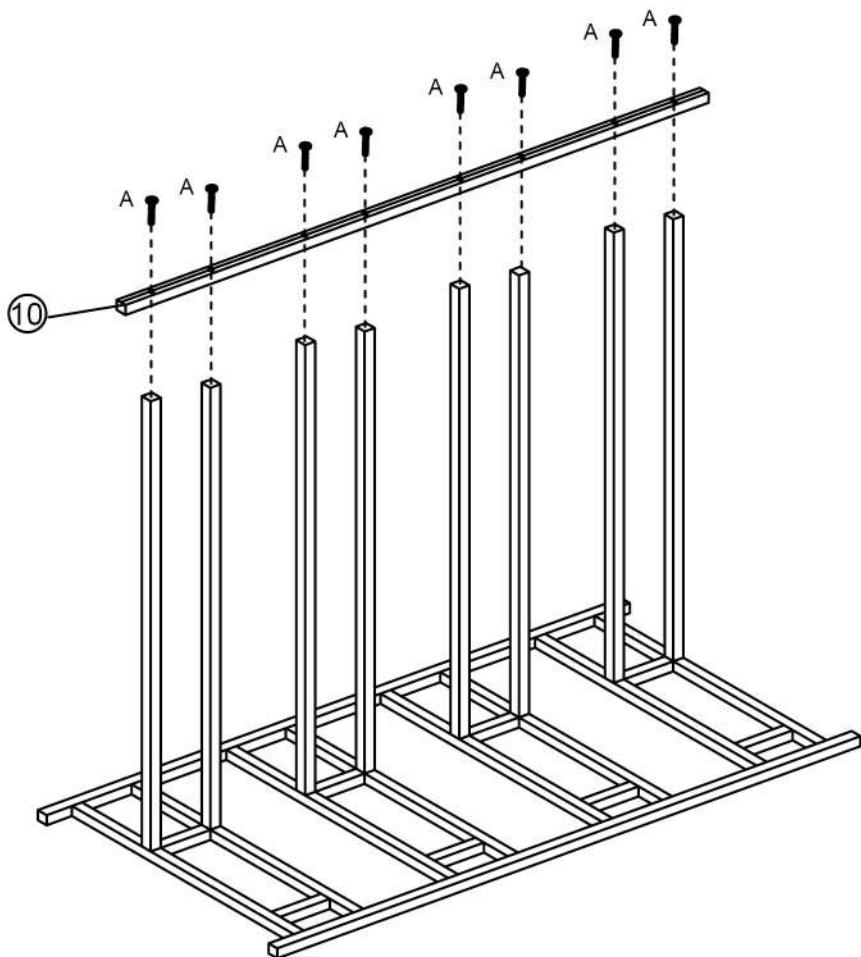
IT	Utilizzare la vite A per collegare NO.7 e NO.8.
UK	Use screw A to connect NO.7 and NO.8.
ES	Utilice el tornillo A para conectar los cables NO.7 y NO.8.
FR	Utiliser la vis A pour raccorder les vis NO.7 et NO.8.



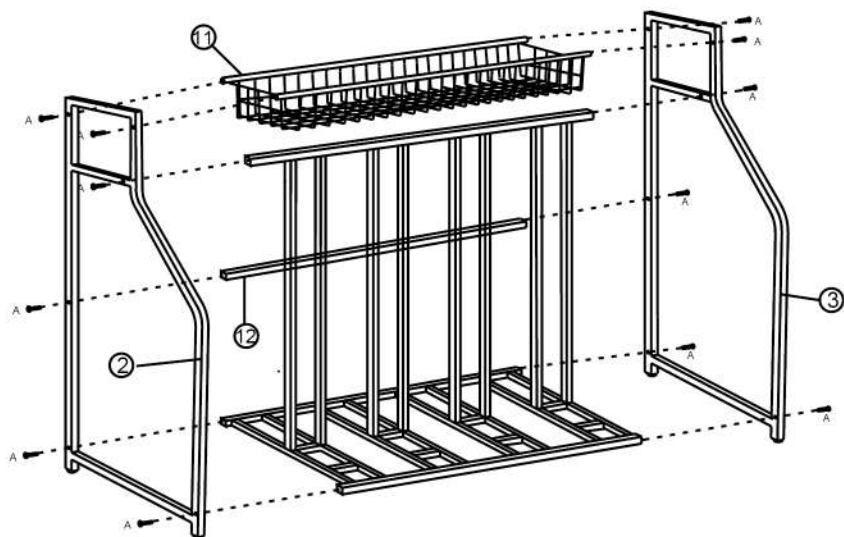
IT	Utilizzare la vite A per collegare il NO.9 e il passaggio 3.
UK	Use screw A to connect NO.9 and step 3.
ES	Utilice el tornillo A para conectar el NO.9 y el paso 3.
FR	Utiliser la vis A pour raccorder le NO.9 et l'étape 3.



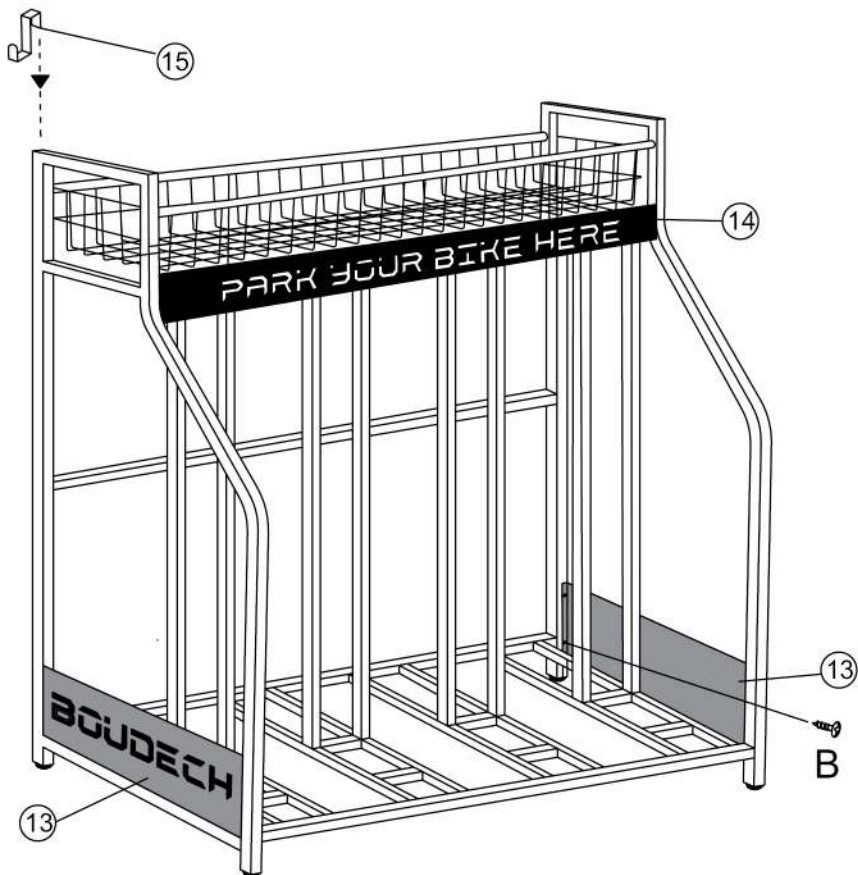
IT	Utilizzare la vite A per collegare il NO.10 e il passaggio 4.
UK	Use screw A to connect NO.10 and step 4.
ES	Utilice el tornillo A para conectar el NO.10 y el paso 4.
FR	Utiliser la vis A pour raccorder le NO.10 et l'étape 4.



IT	Come mostrato nella foto, utilizzare la vite A per collegarli e fissarli.
UK	As shown in the picture, use screw A to connect and fix them.
ES	Como se muestra en la imagen, utilice el tornillo A para conectarlos y fijarlos.
FR	Comme indiqué sur l'image, utilisez la vis A pour les connecter et les fixer.



IT	Utilizzare la vite B per installare i numeri 13 e 14 sul rack di parcheggio, e appendere il numero 15 nella posizione appropriata.
UK	Use screw B to install numbers 13 and 14 on the parking rack, and hang number 15 in the appropriate position.
ES	Utilice el tornillo B para instalar los números 13 y 14 en la rejilla de estacionamiento, y colgar el número 15 en la posición adecuada.
FR	Utiliser la vis B pour installer les numéros 13 et 14 sur le support de stationnement, et accrocher le numéro 15 dans la position appropriée.

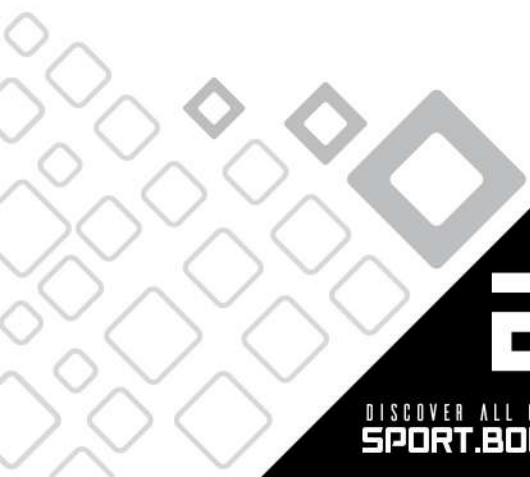


DISCOVER ALL OUR PRODUCTS ON  
**SPORT.BOUDECH.COM**



# BOUDECH

EMPOWERING EQUIPMENTS



A large, bold, white letter 'B' logo is centered within a black triangular shape that points upwards. The 'B' has a distinctive design with a horizontal bar that is slightly offset from the top and bottom strokes.

DISCOVER ALL OUR PRODUCTS ON  
[SPORT.BOUCHECH.COM](http://SPORT.BOUCHECH.COM)