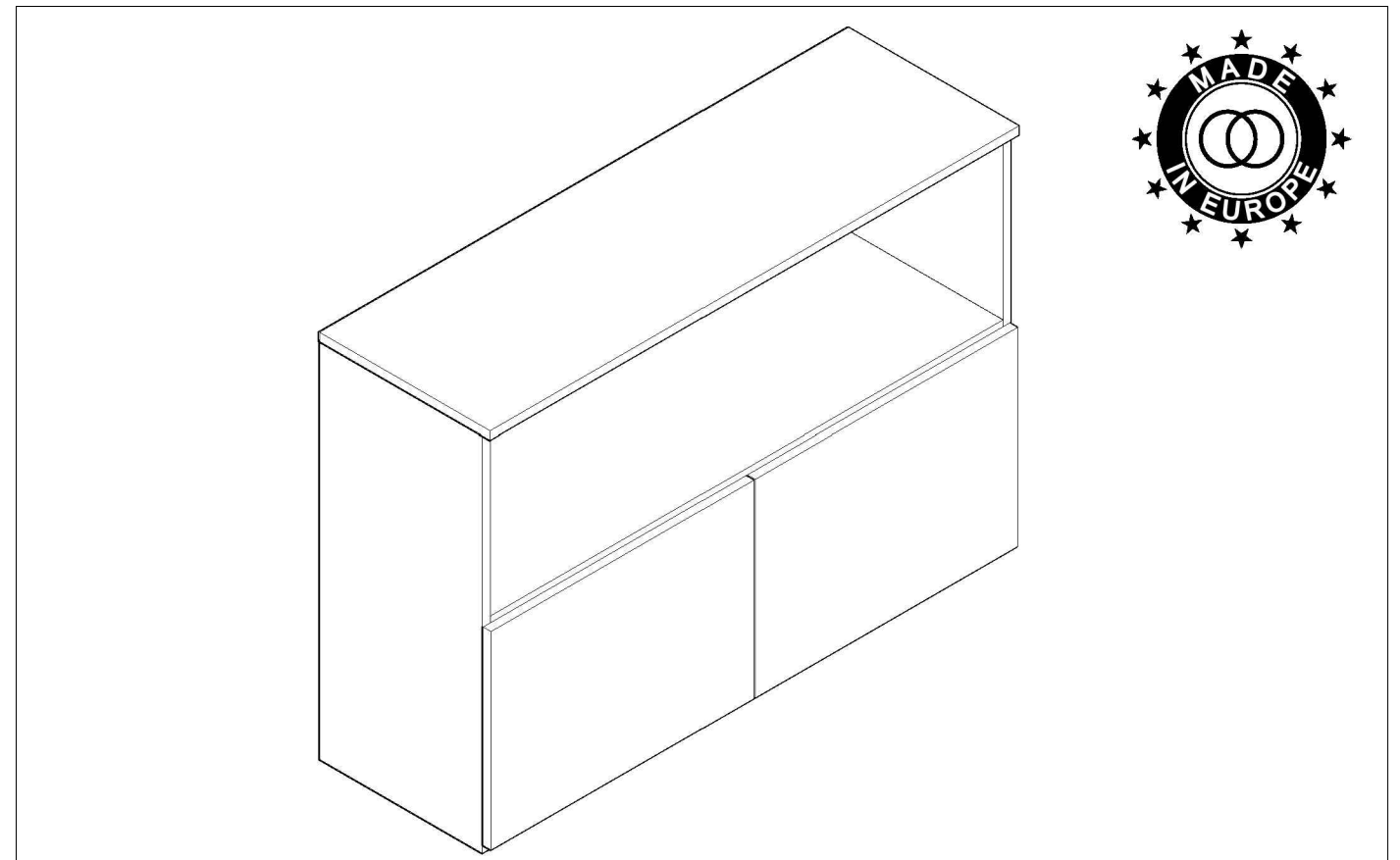
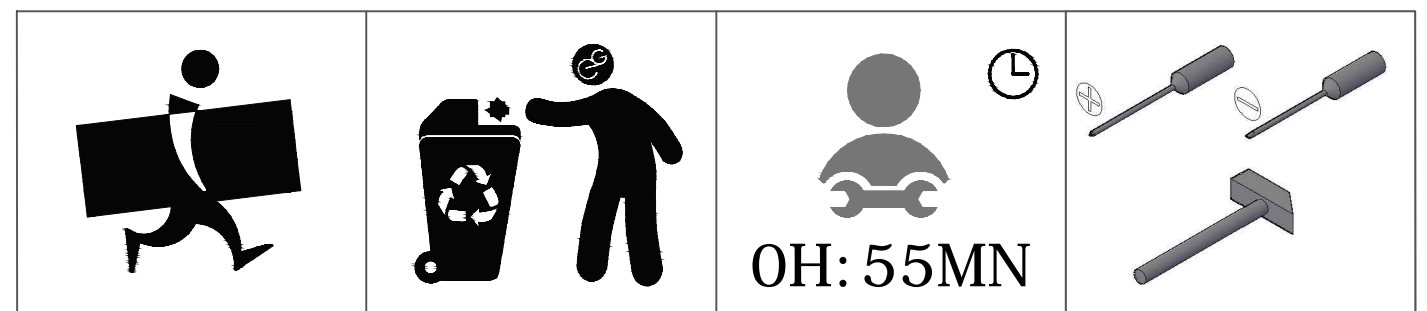


MODULO CENTRAL APARADOR "COZY" 107X75 CM

SKRAUT
HOME



ES	MODULO CENTRAL APARADOR "COZY" 107X75 CM	PT	MÓDULO CENTRAL APARADOR "COZY" 107X75 CM
FR	BUFFET MODULE CENTRAL "COZY" 107X75 CM	IT	CRENENZA MODULO CENTRALE "COZY" 107X75 CM
EN	CENTRAL MODULE SIDEBOARD "COZY" 107X75 CM	DE	MITTELMODUL ANRICHTE "COZY" 107X75 CM



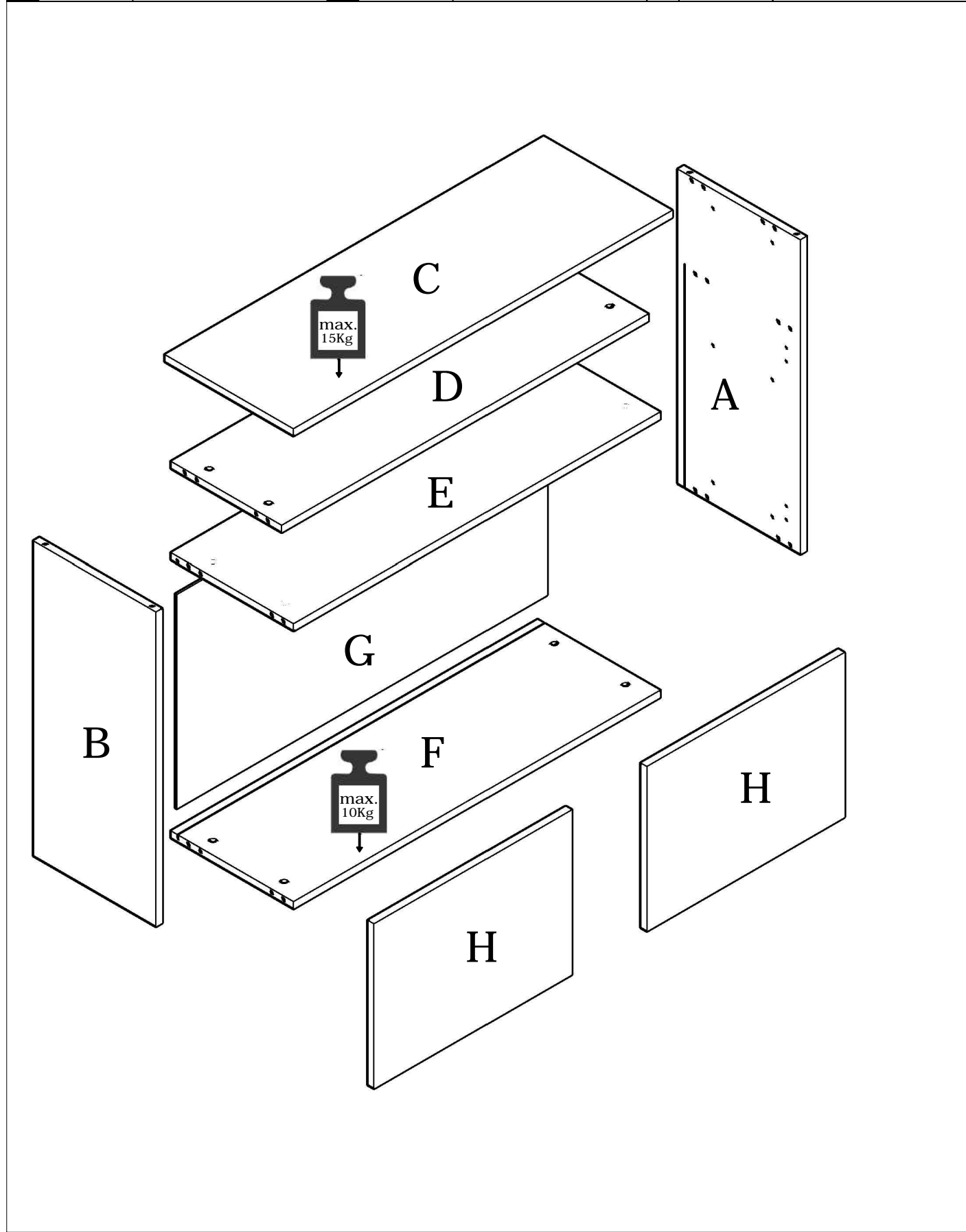
ES	⚠ SEGURIDAD RESPECTAR LAS INSTRUCCIONES DE MONTAJE DESCRITAS EN EL FOLLETO GUARDAR LAS INSTRUCCIONES DE MONTAJE PARA FUTURAS CONSULTAS	PT	⚠ SEGURANCA RESPEITAR AS INSTRUÇÕES DE MONTAGEM DESCRÉVIDAS NA INSTRUÇÕES DE USO GUARDAR AS INSTRUÇÕES DE MONTAGEM PARA REFERÊNCIA FUTURA
	FR		⚠ SECURITE RESPECTER LES INSTRUCTIONS DE MONTAGE DANS LA NOTICE CONSERVER LES INSTRUCTIONS D'ASSEMBLAGE POUR RÉFÉRENCE ULTÉRIEURE
EN	⚠ CAUTION FOLLOW CAREFULLY THE ASSEMBLING INSTRUCTIONS DESCRIBED IN THE DIRECTIONS KEEP THE ASSEMBLY INSTRUCTIONS FOR FUTURE REFERENCE	DE	⚠ SICHERHEITSVORSCHRIFTEN BEACHTEN SIE BITTE UNGEDINGI DIE ANGEGBENER AUFBAUVORSCHRIFTEN BEWAHREN SIE DIE MONTAGEANLEITUNG ZUM SPÄTEREN NACHSCHLAGEN AUF

MPATR3486

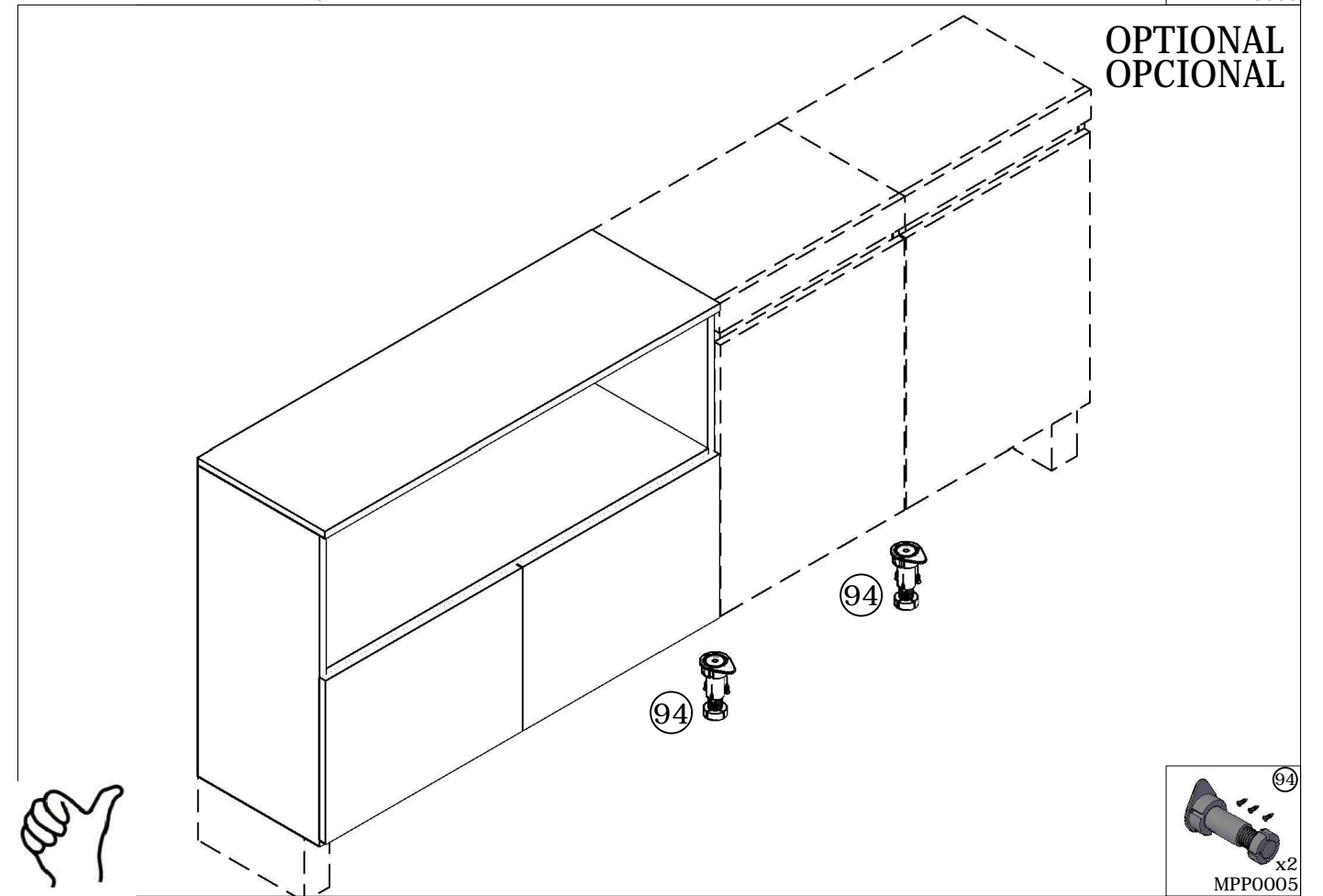
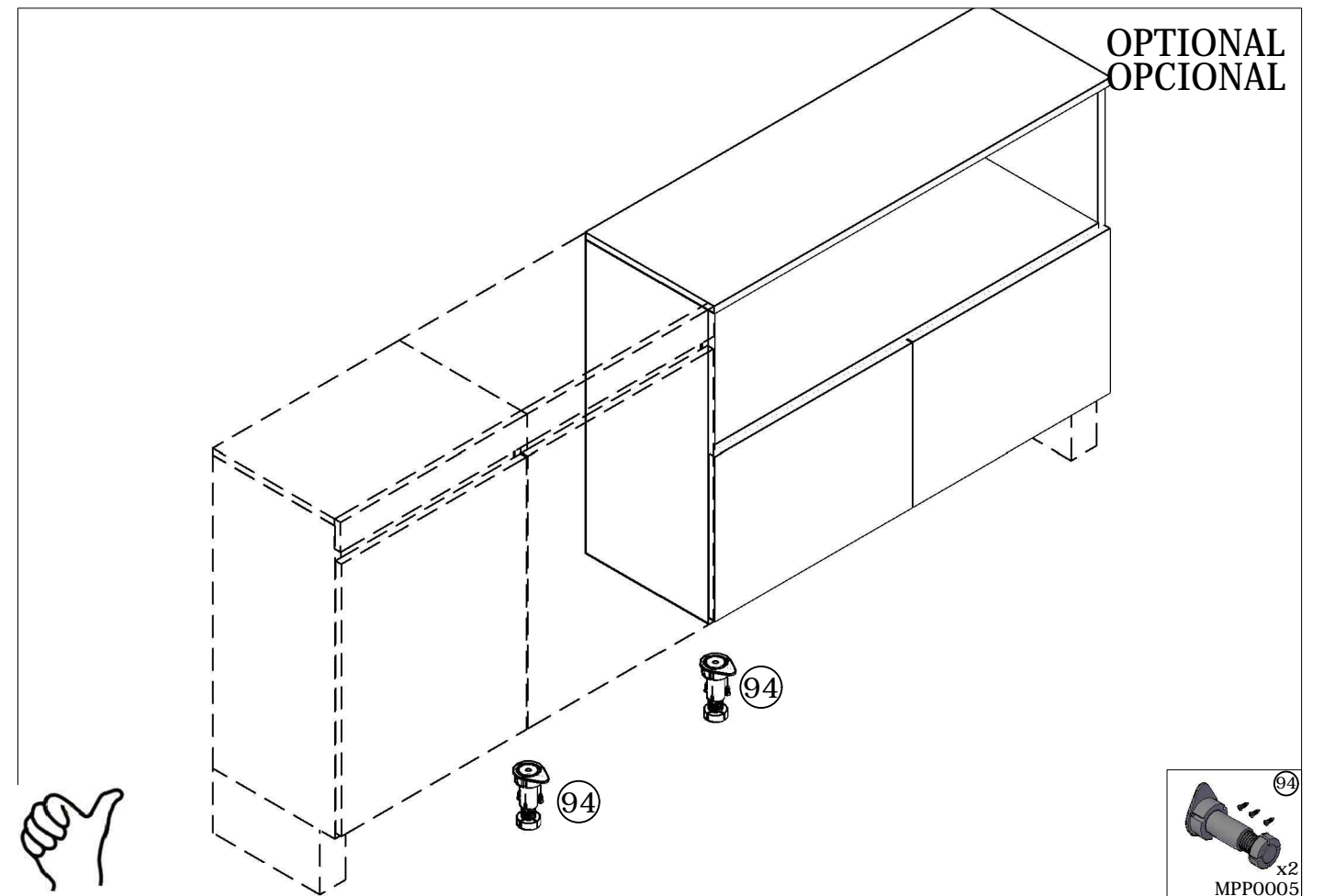


MODULO CENTRAL APARADOR "COZY" 107X75 CM

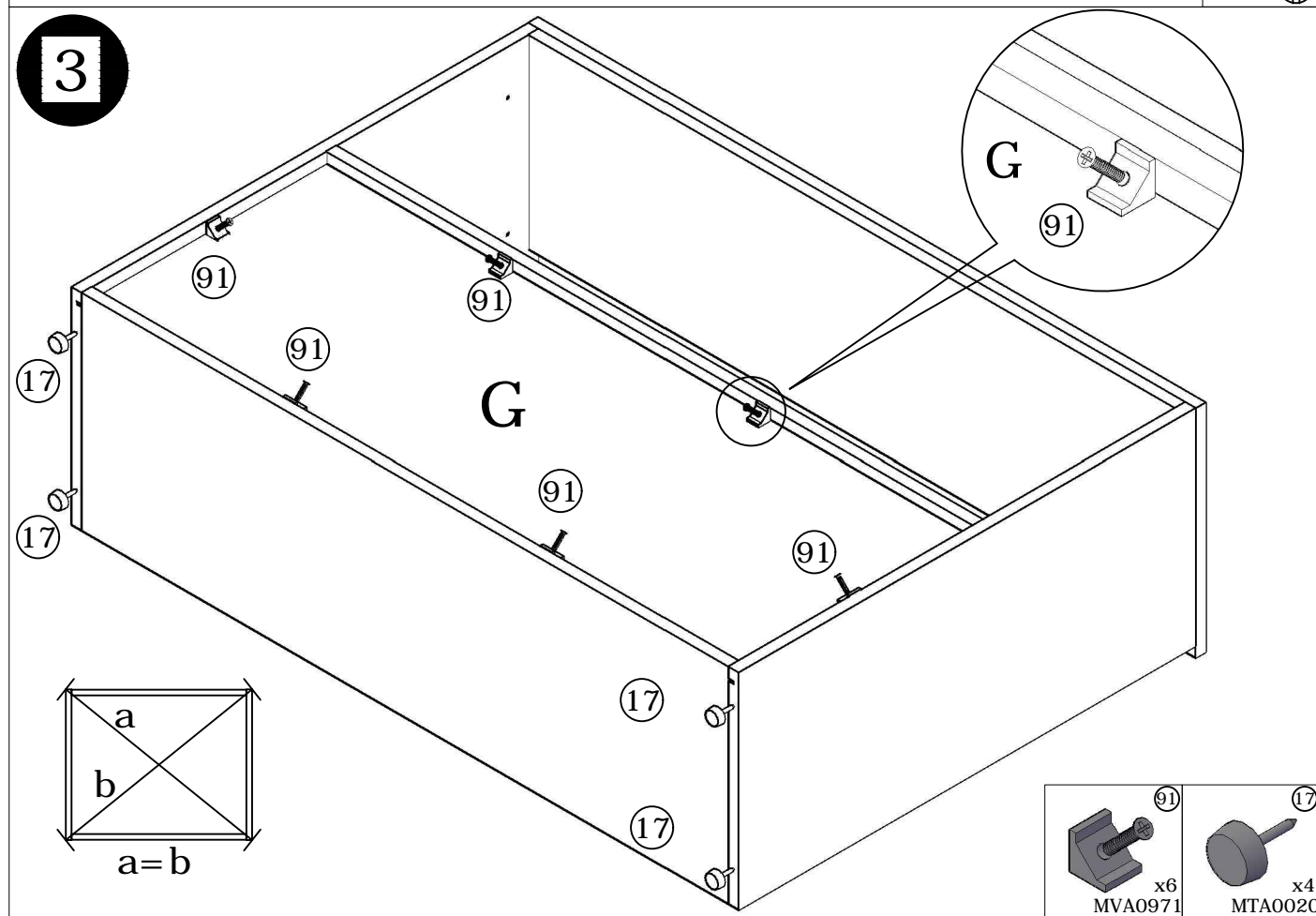
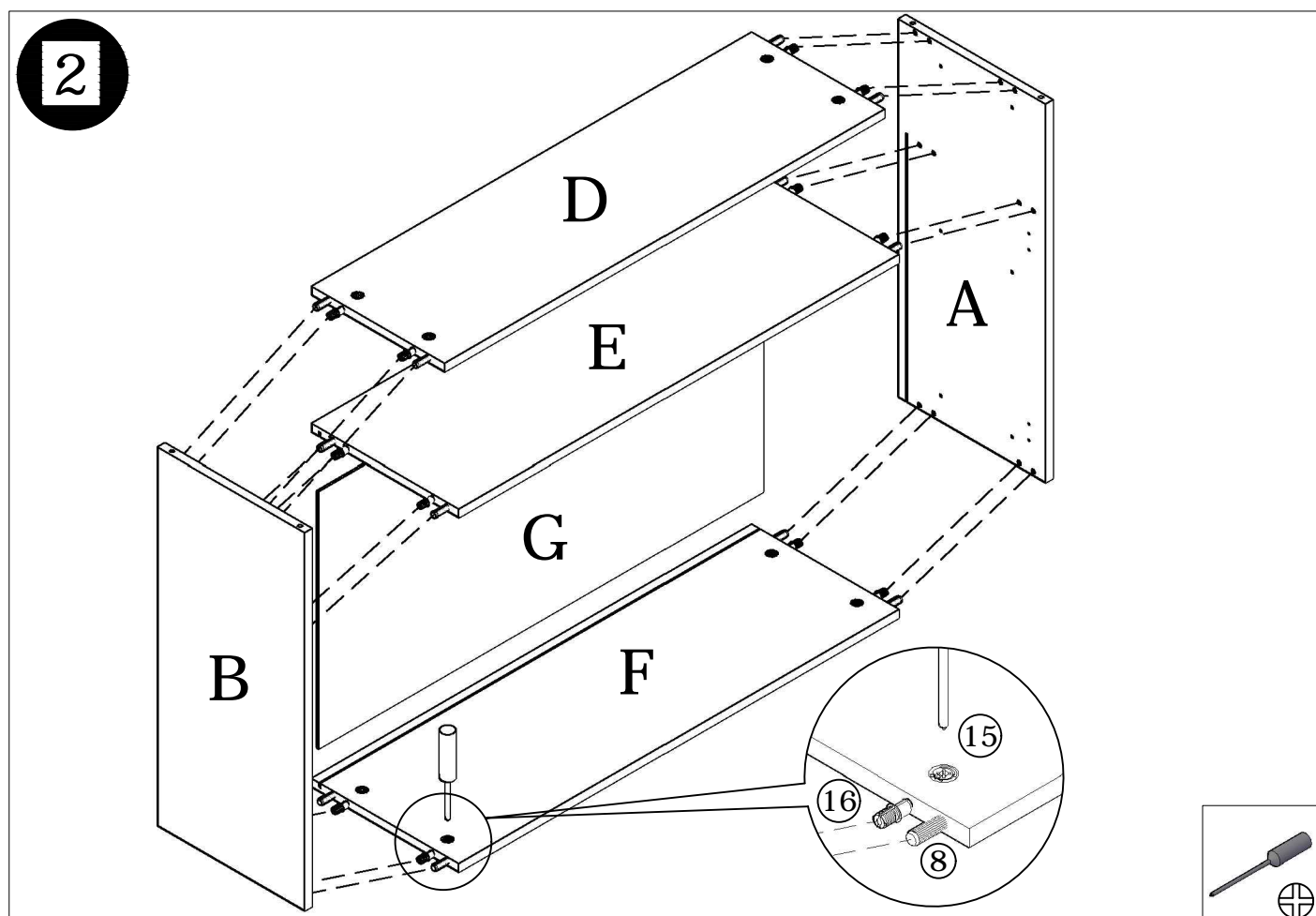
A	1LA10173D	734 x 330 x 16	D	1SI10120	1039 x 298 x 16	G	MTB2388	1051 x 389 x 3
B	1LA10173I	734 x 330 x 16	E	1SI10121	1039 x 330 x 16	H	1PU9645	x2 532 x 384 x 16
C	1EN9448	1072 x 346 x 16	F	1SI10125	1039 x 330 x 16			



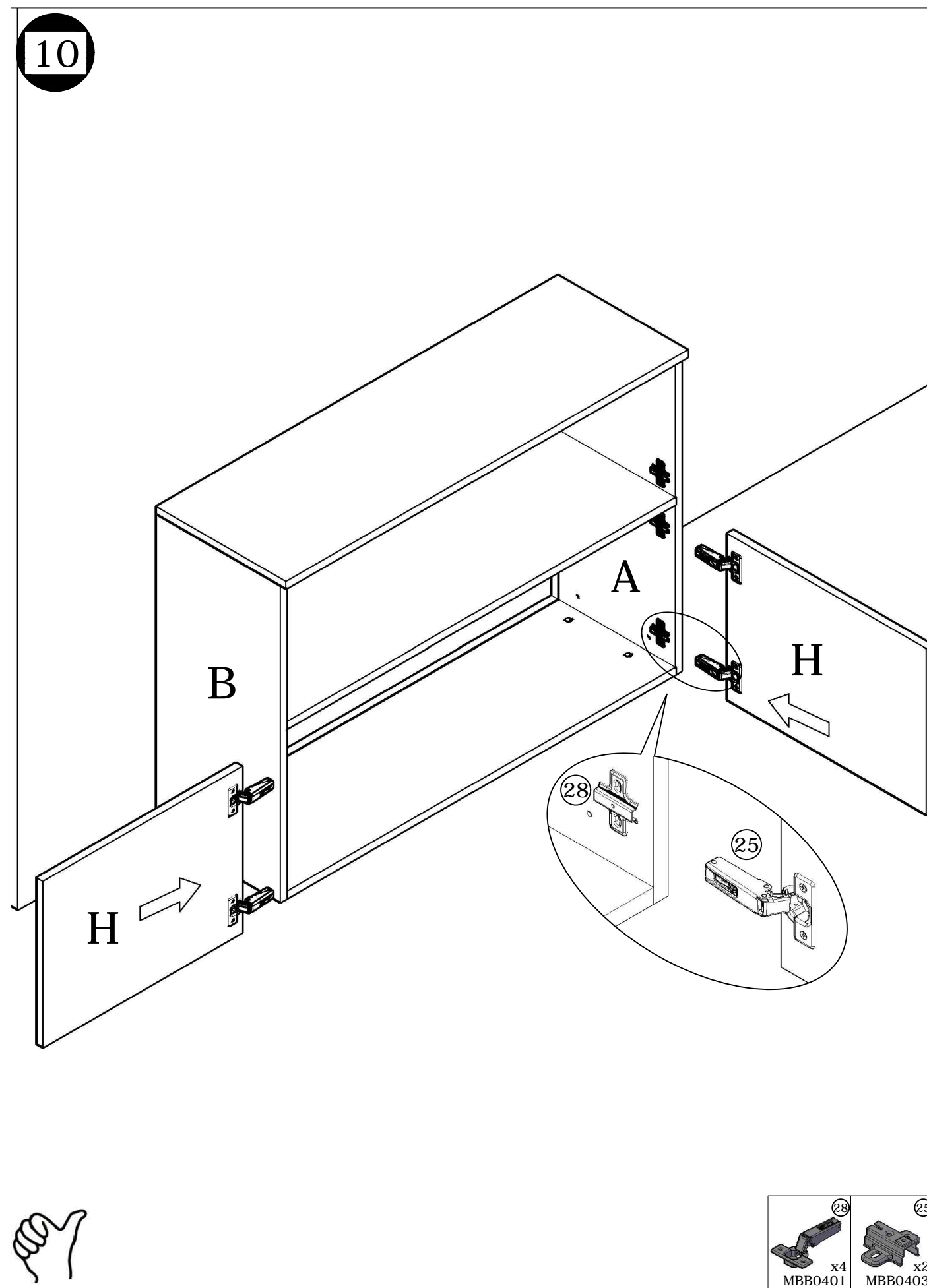
MODULO CENTRAL APARADOR "COZY" 107X75 CM



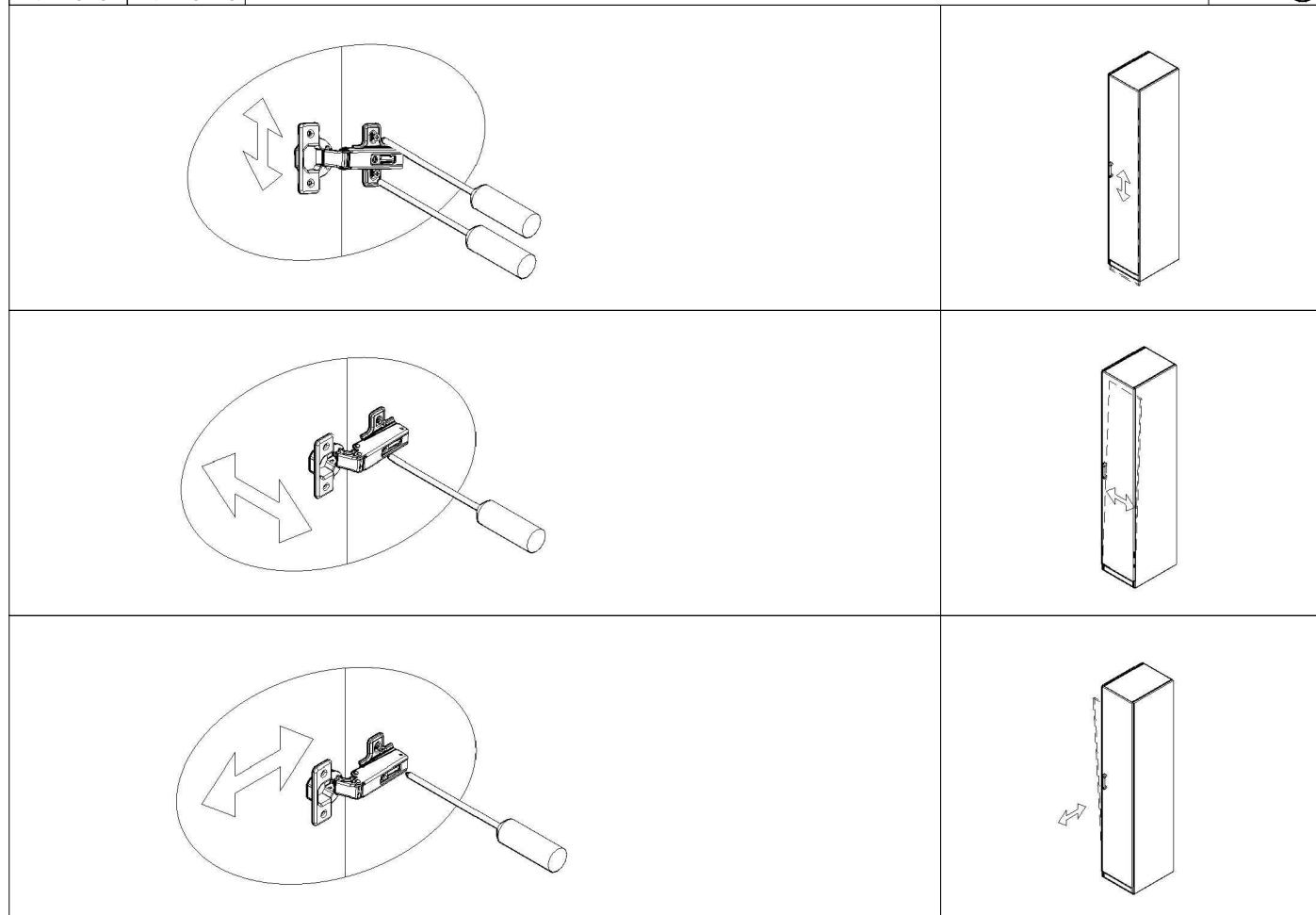
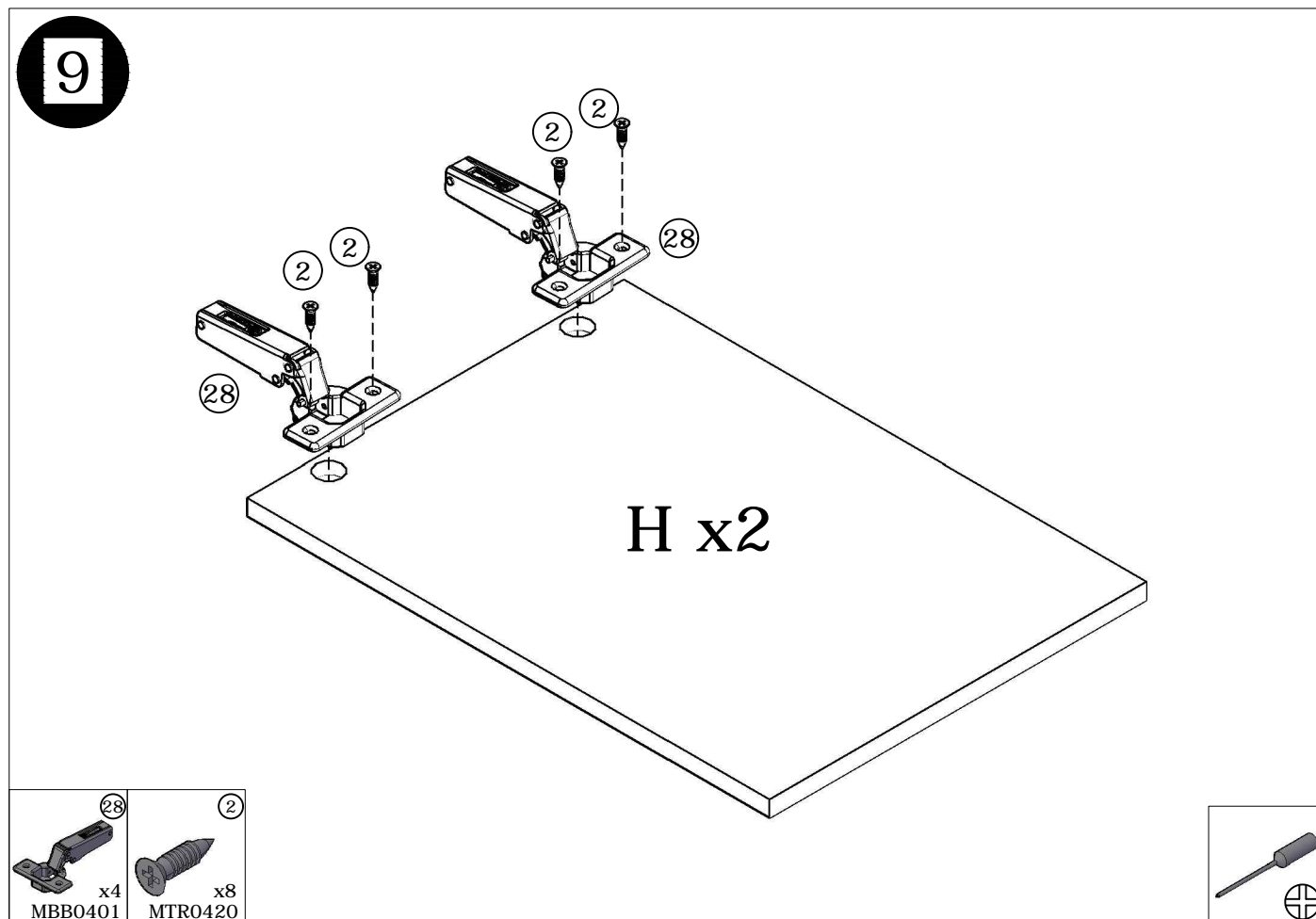
MODULO CENTRAL APARADOR "COZY" 107X75 CM



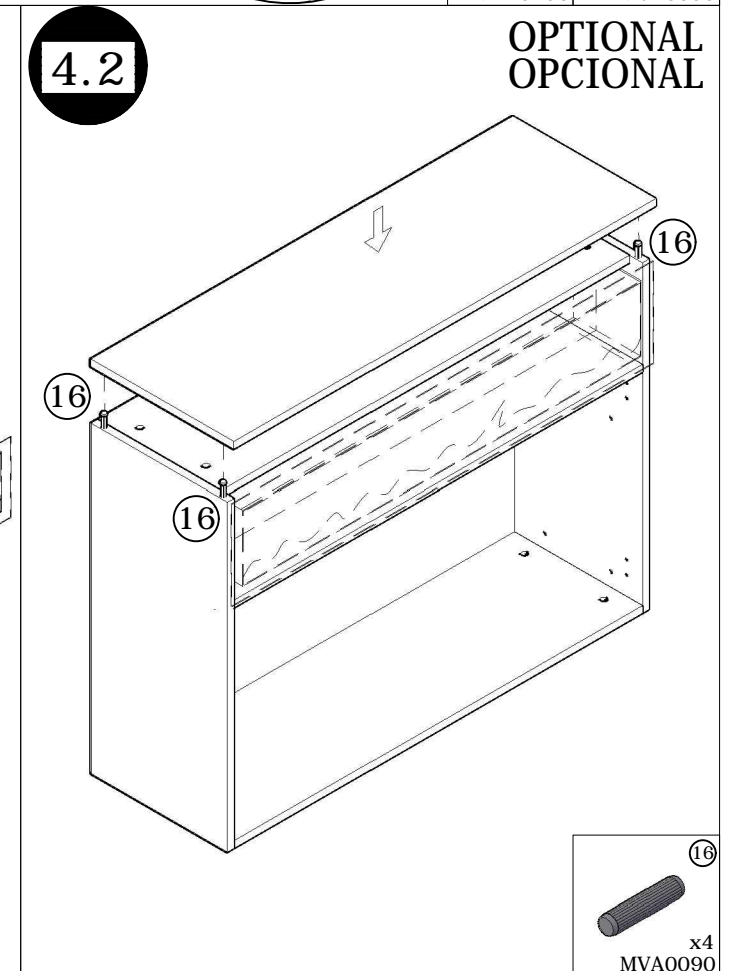
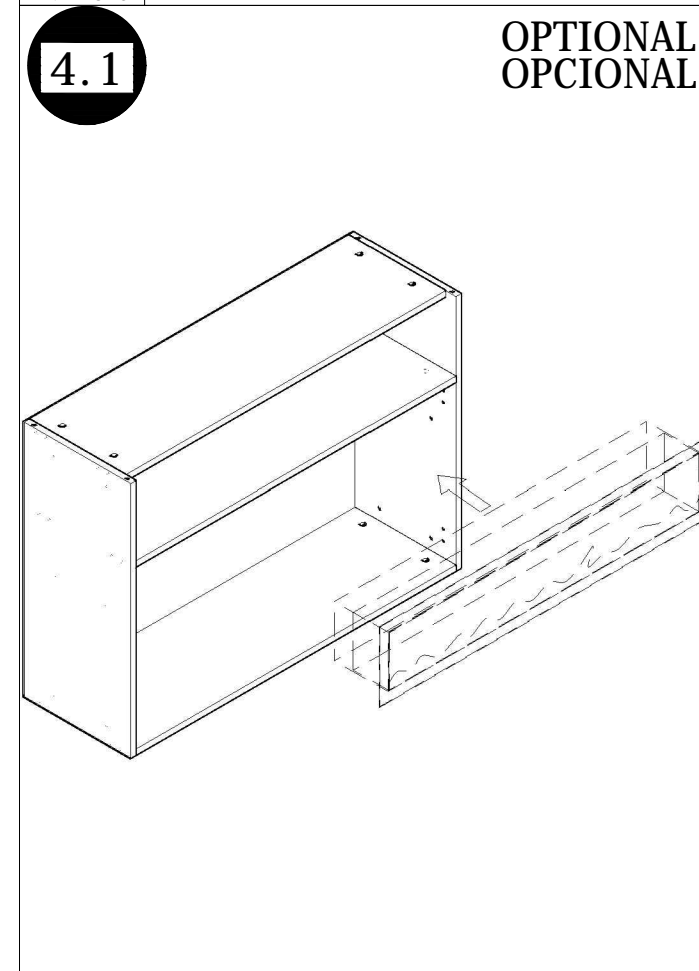
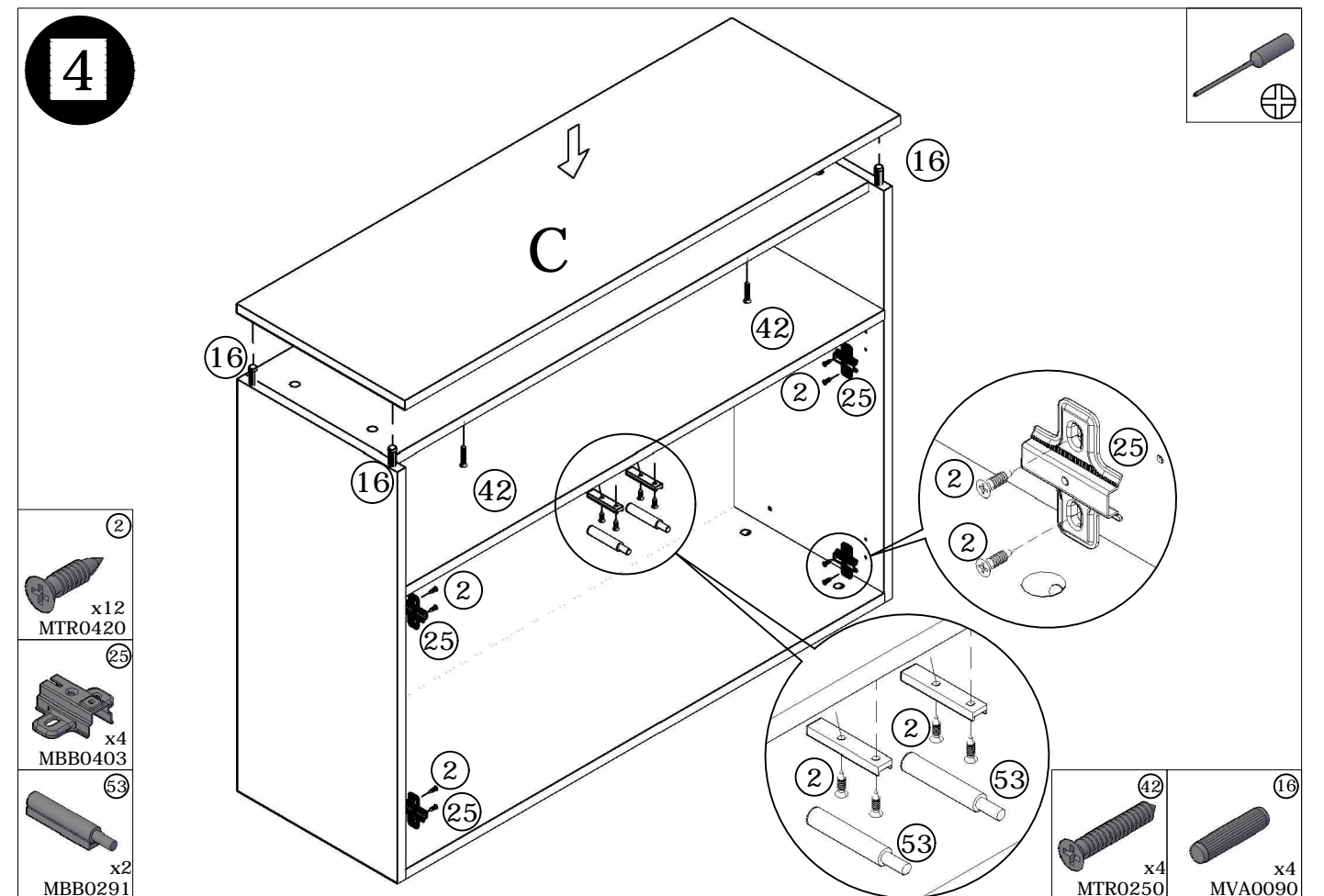
MODULO CENTRAL APARADOR "COZY" 107X75 CM



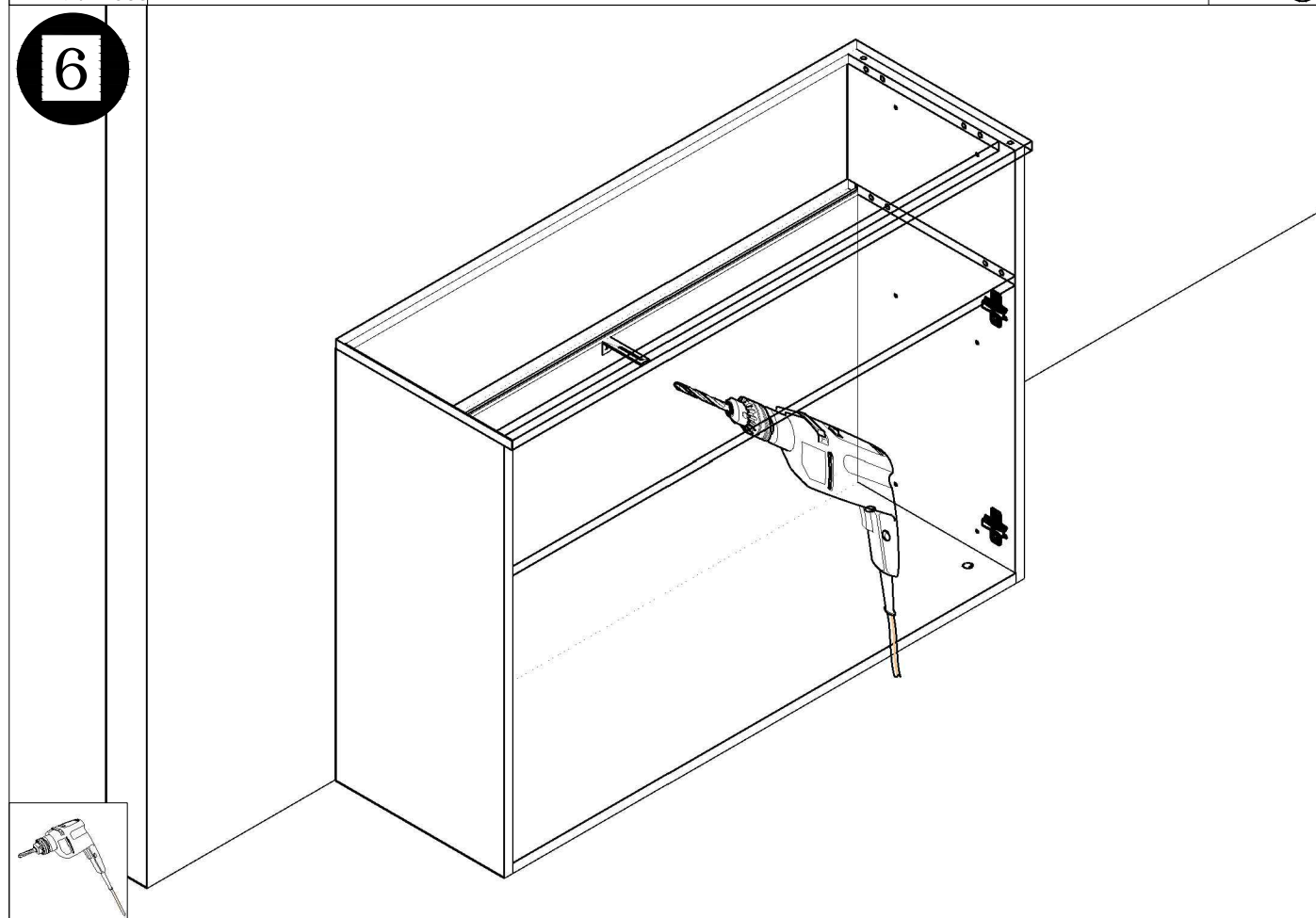
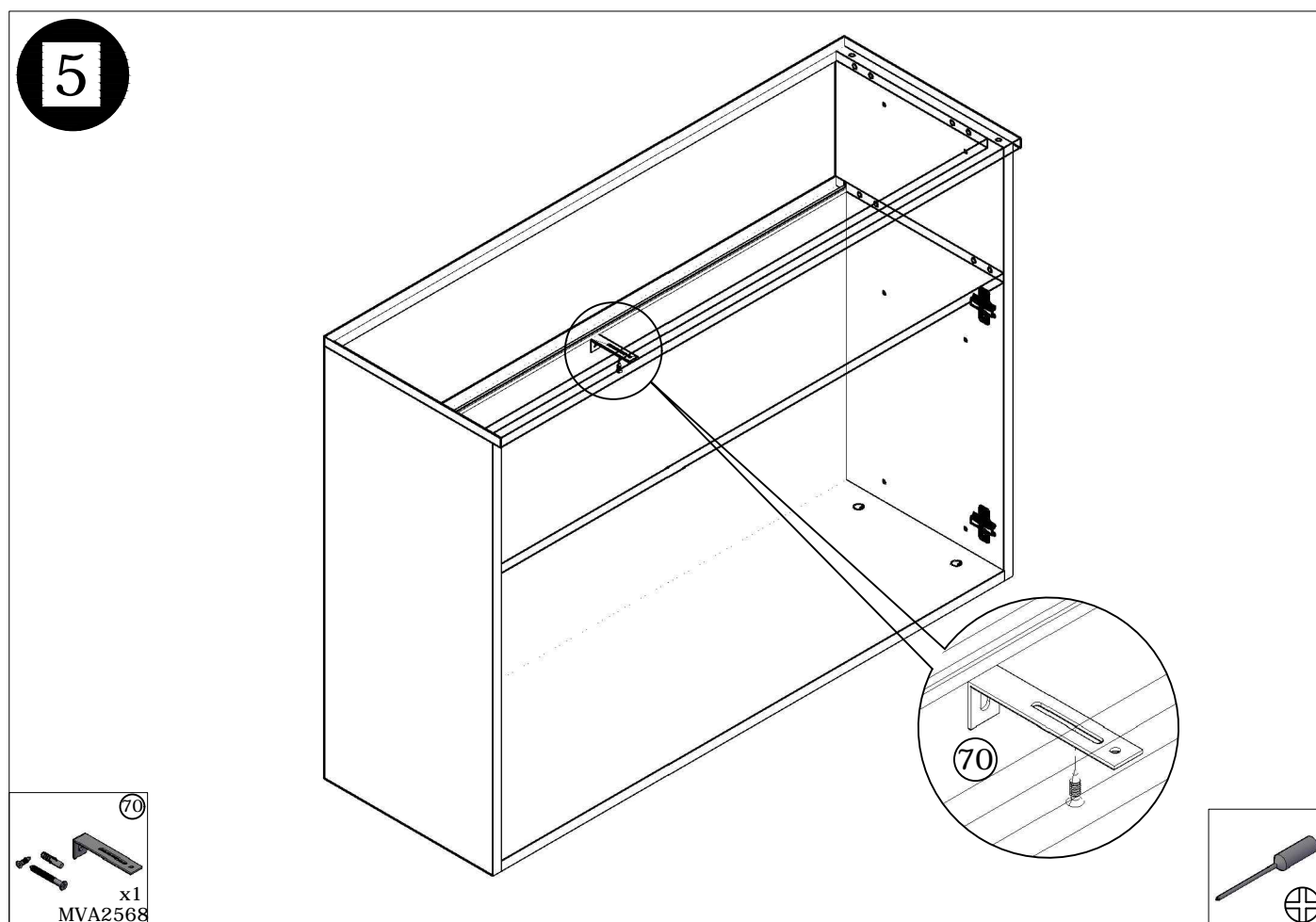
MODULO CENTRAL APARADOR "COZY" 107X75 CM



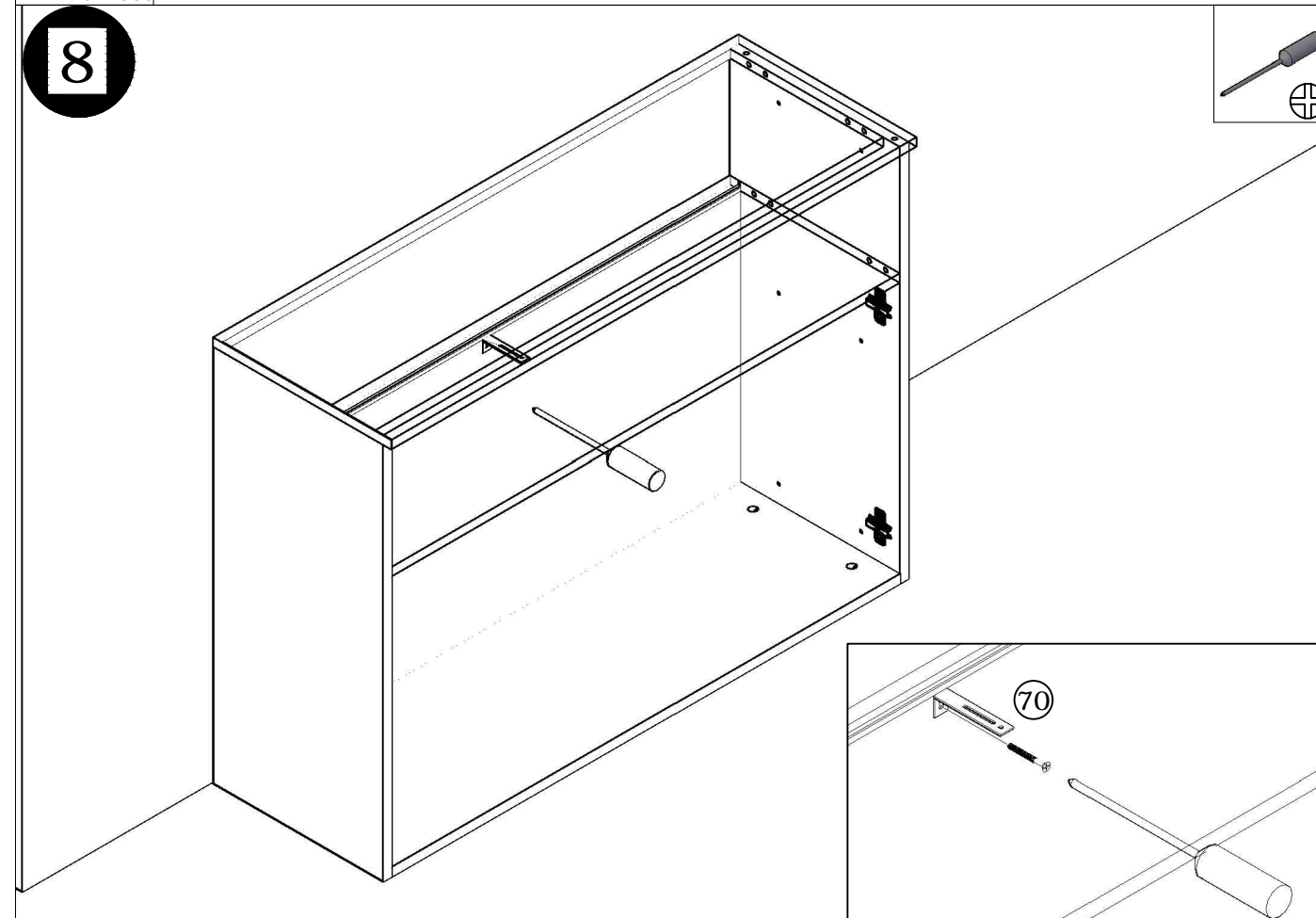
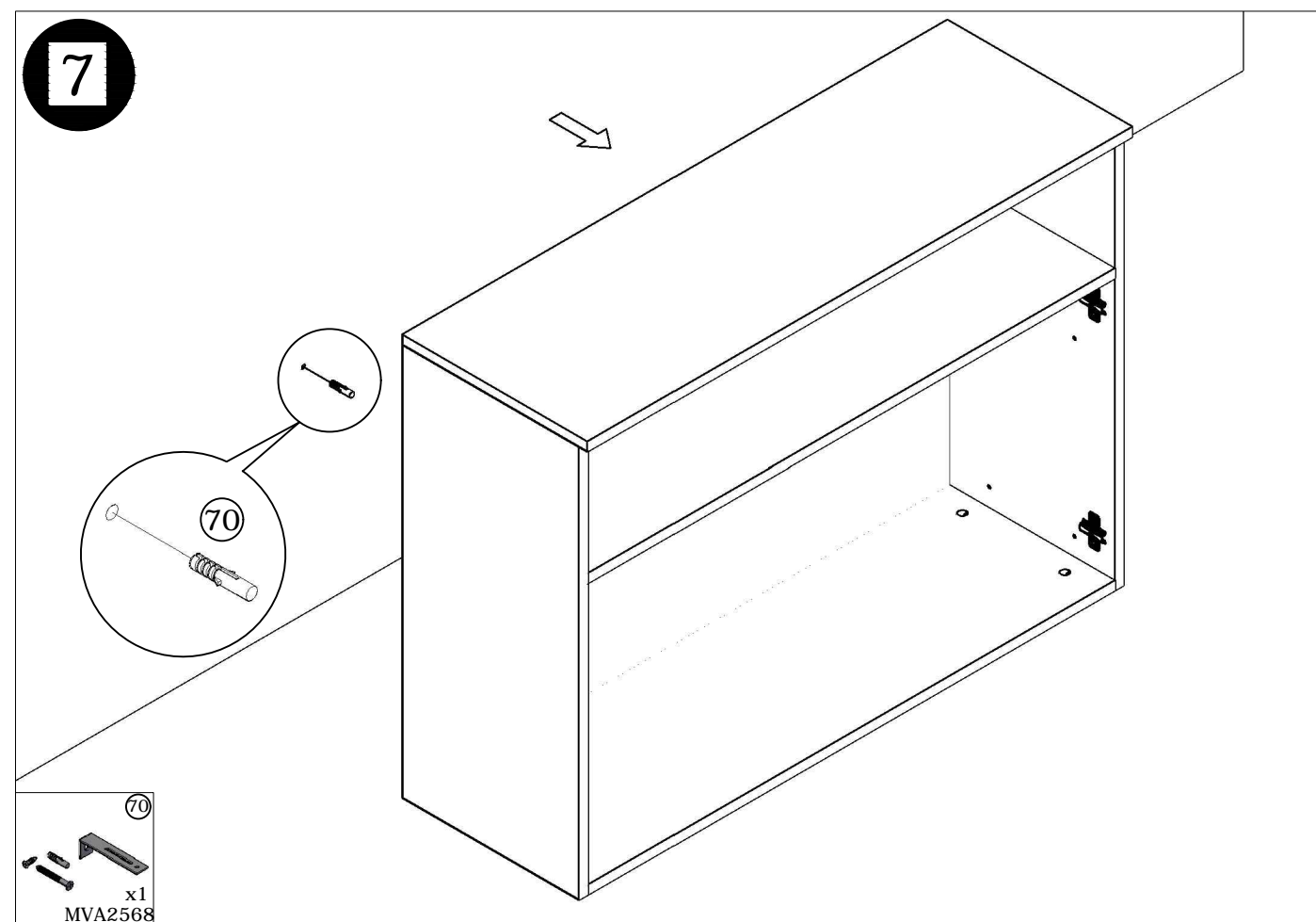
MODULO CENTRAL APARADOR "COZY" 107X75 CM

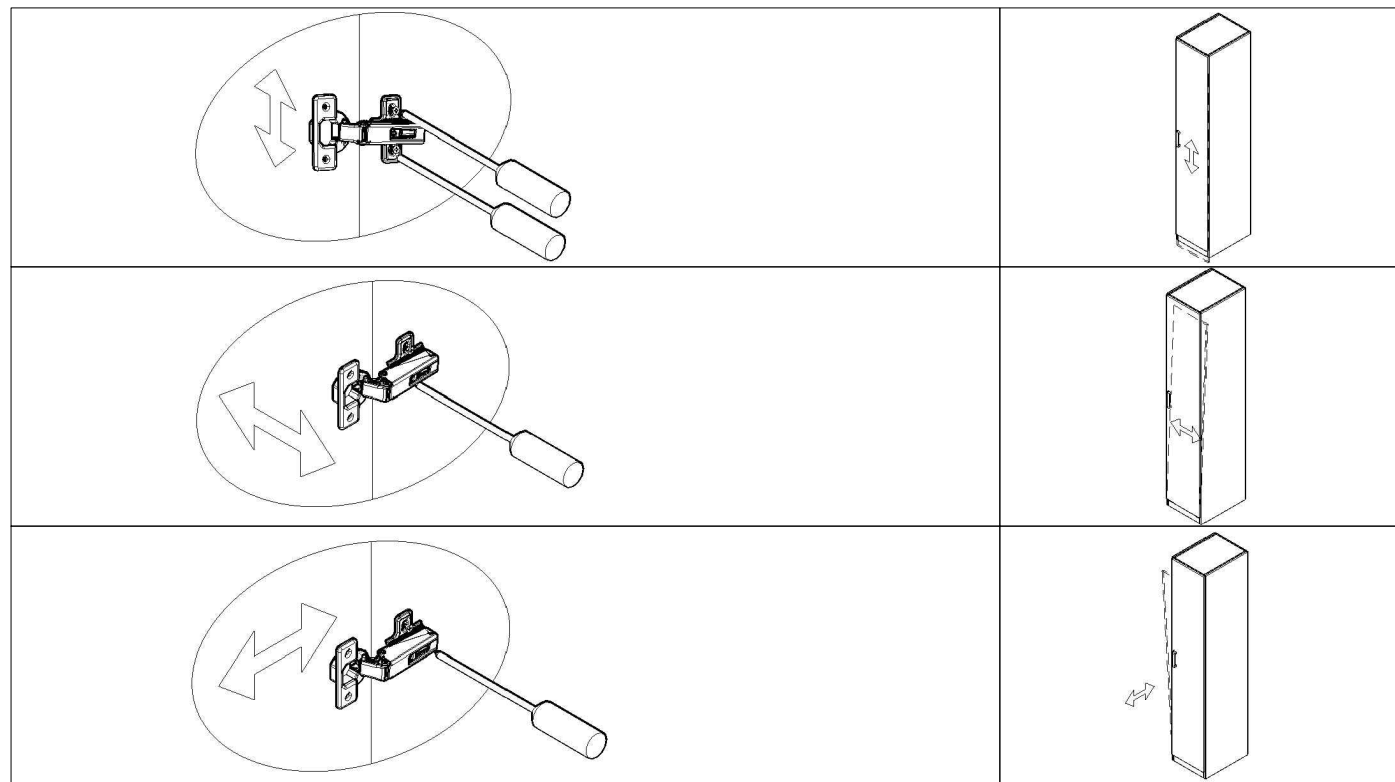


MODULO CENTRAL APARADOR "COZY" 107X75 CM

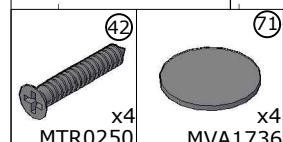
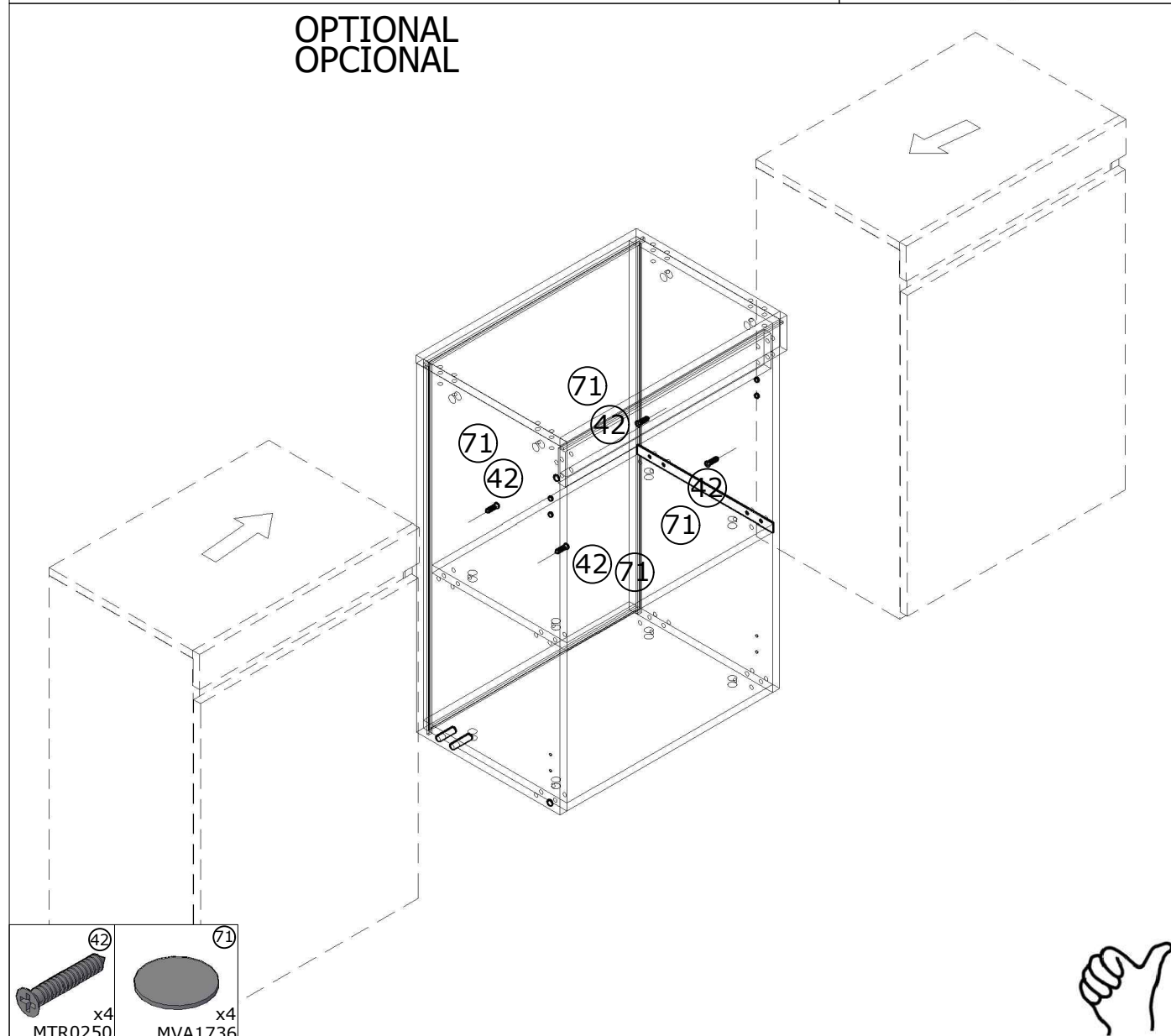


MODULO CENTRAL APARADOR "COZY" 107X75 CM

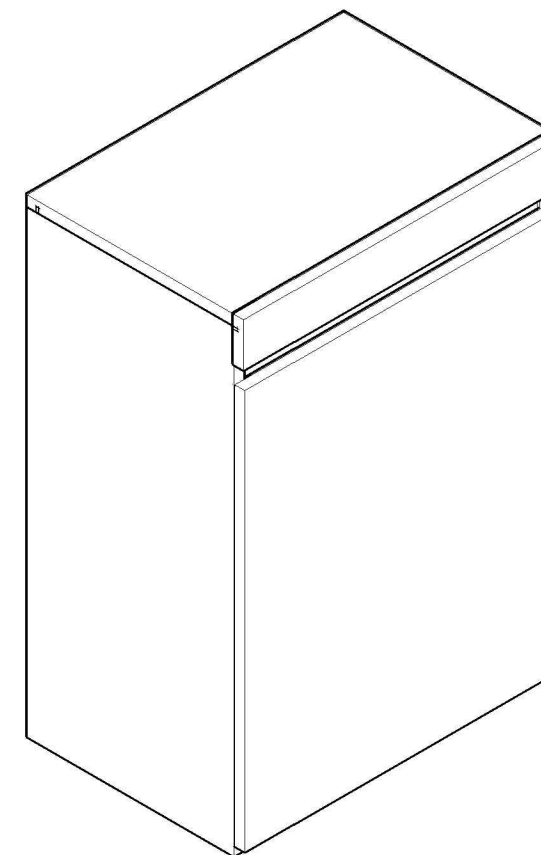




OPTIONAL
OPCIONAL



MODULO LATERAL APARADOR "COZY" 51X75 CM.



ES	MODULO LATERAL APARADOR "COZY" 51X75 CM.	PT	MÓDULO APARADOR LATERAL "COZY" 51X75 CM.
FR	MODULE BUFFET LATÉRAL "COZY" 51X75 CM.	IT	MODULO CREDENZA LATERALE "COZY" 51X75 CM.
EN	SIDE SIDEBOARD MODULE "COZY" 51X75 CM.	DE	SEITENMODUL ANRICHTE "COZY" 51X75 CM.



0H:50MN

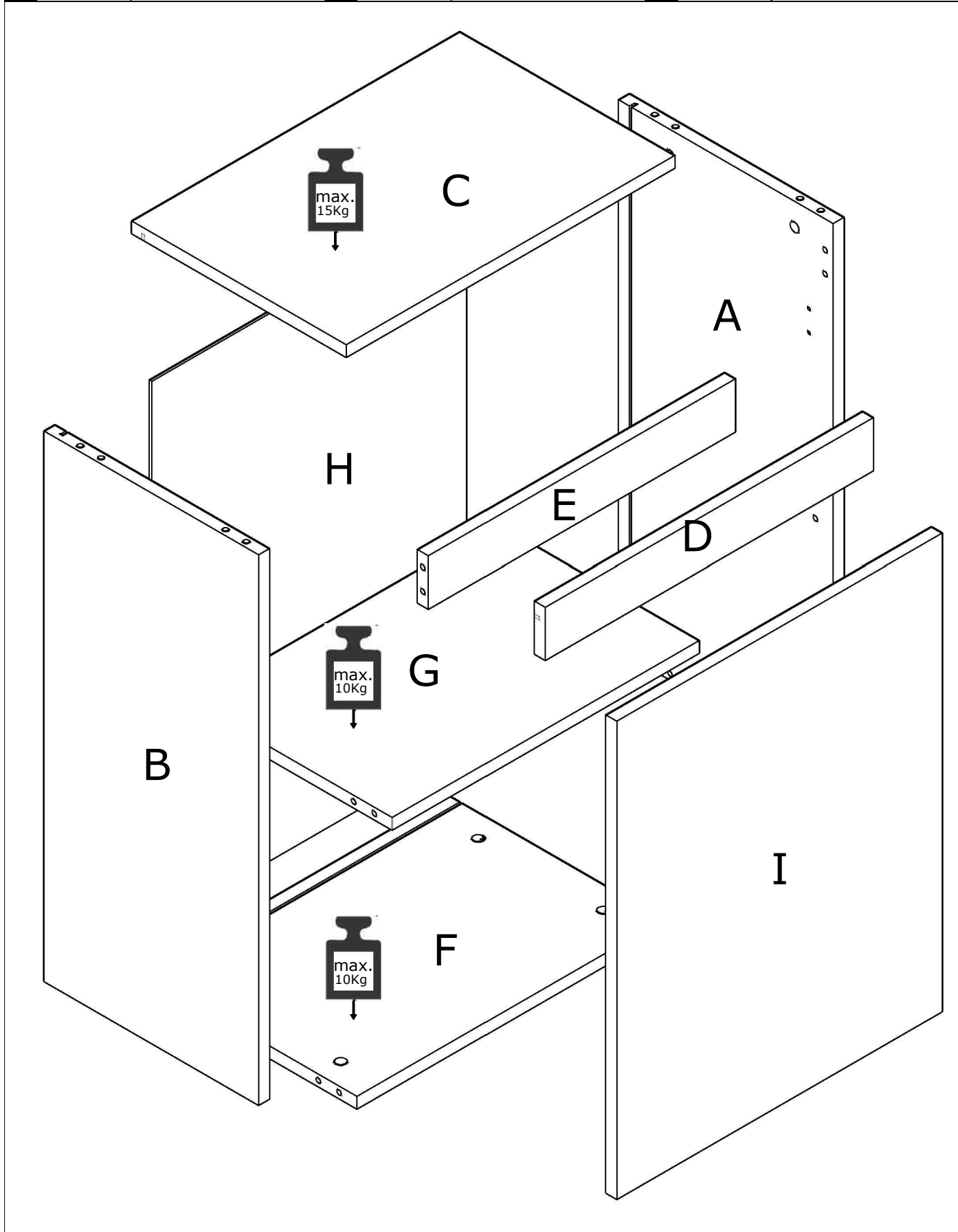
ES	⚠️ SEGURIDAD RESPECTAR LAS INSTRUCCIONES DE MONTAJE DESCRITAS EN EL FOLLETO GUARDAR LAS INSTRUCCIONES DE MONTAJE PARA FUTURAS CONSULTAS	PT	⚠️ SEGURANÇA RESPEITAR AS INSTRUÇÕES DE MONTAGEM DESCRÉVIDAS NA INSTRUÇÕES DE USO GUARDAR AS INSTRUÇÕES DE MONTAGEM PARA REFERÊNCIA FUTURA
FR	⚠️ SECURITE RESPECTER LES INSTRUCTIONS DE MONTAGE DANS LA NOTICE CONSERVER LES INSTRUCTIONS D'ASSEMBLAGE POUR RÉFÉRENCE ULTÉRIEURE	IT	⚠️ SICUREZZA RISPETTARE LE ISTRUZIONI DI MONTAGGIO DESCRITTE NEEL'AVVERTENZA CONSERVARE LE ISTRUZIONI DI MONTAGGIO PER UN FUTURO RIFERIMENTO
EN	⚠️ CAUTION FOLLOW CAREFULLY THE ASSEMBLING INSTRUCTIONS DESCRIBED IN THE DIRECTIONS KEEP THE ASSEMBLY INSTRUCTIONS FOR FUTURE REFERENCE	DE	⚠️ SICHERHEITSVORSCHRIFTEN BEACHTEN SIE BITTE UNGEDINGI DIE ANGEGBENER AUFBAUVORSCHRIFTEN BEWAHREN SIE DIE MONTAGEANLEITUNG ZUM SPÄTEREN NACHSCHLAGEN AUF

MPATR3484

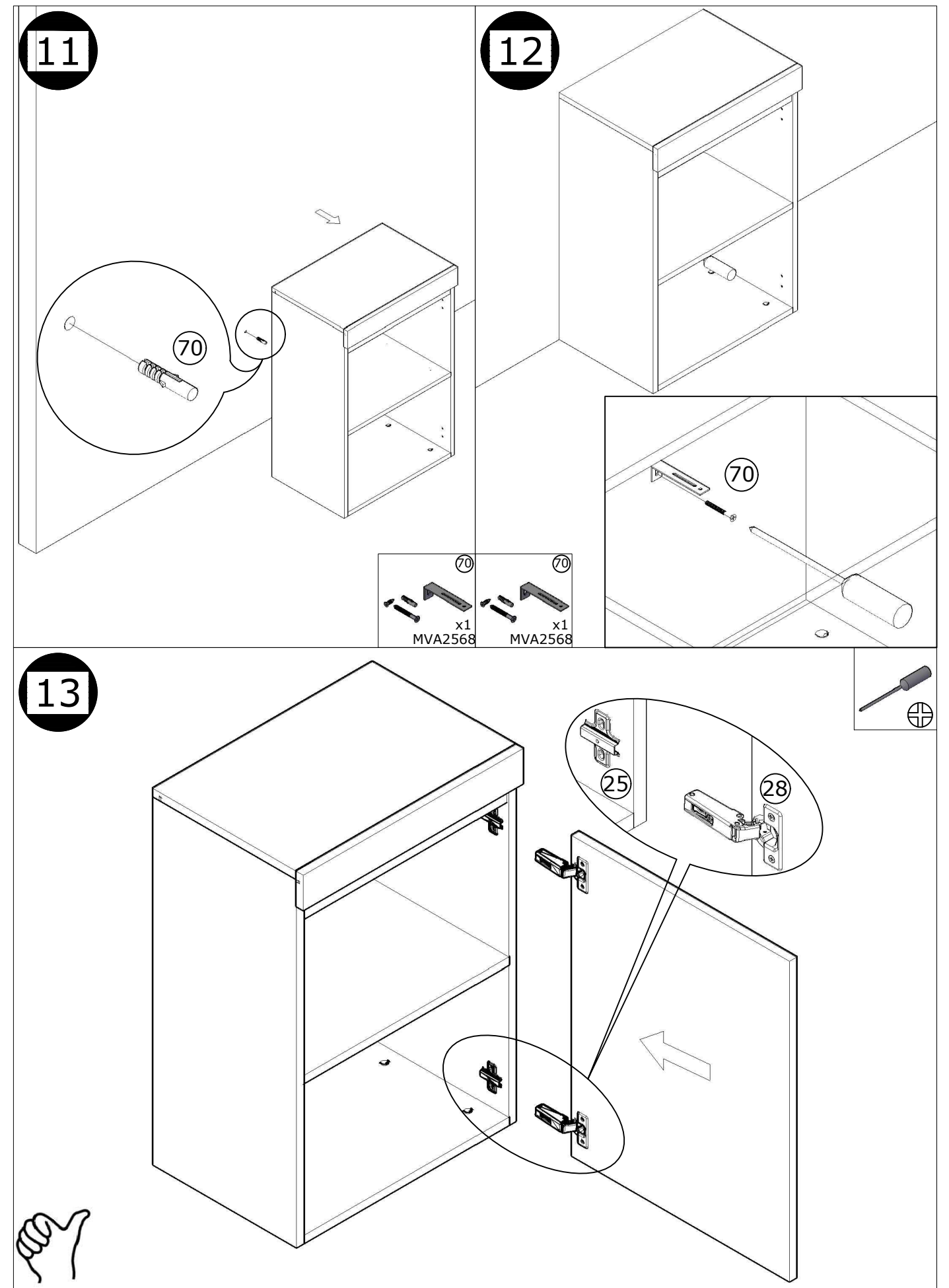


MODULO LATERAL APARADOR "COZY" 51X75 CM.

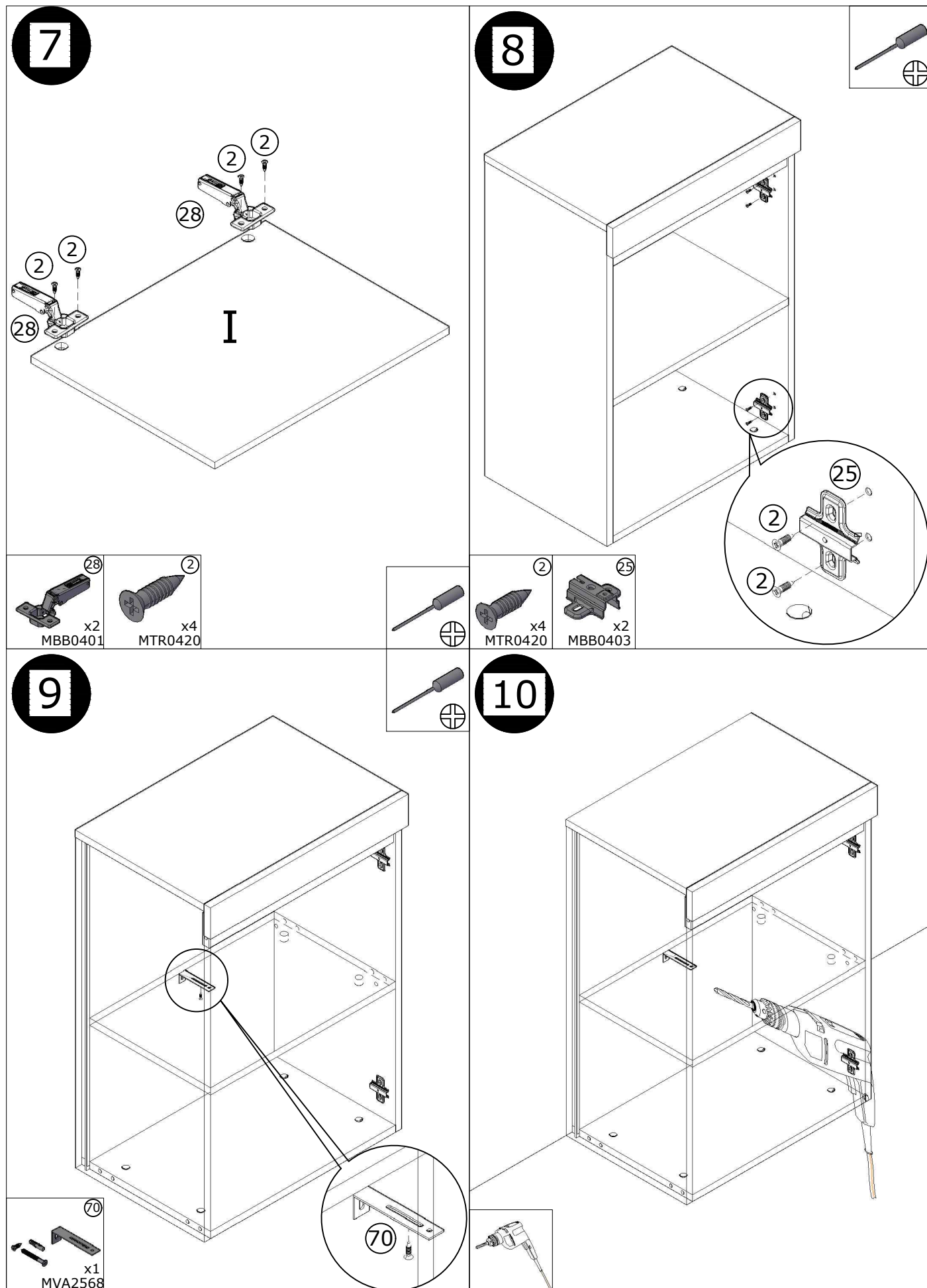
A	1LA10099D	734 x 330 x 16	D	1VA9121	505 x 70 x 16	I	1SI10007	472 x 310 x 16
B	1LA10099I	734 x 330 x 16	E	1VA9122	472 x 70 x 16	G	MTB2334	484 x 730 x 3
C	1EN9264	505 x 330 x 16	F	1SI10003	472 x 330 x 16	H	1PU9526	501 x 638 x 16



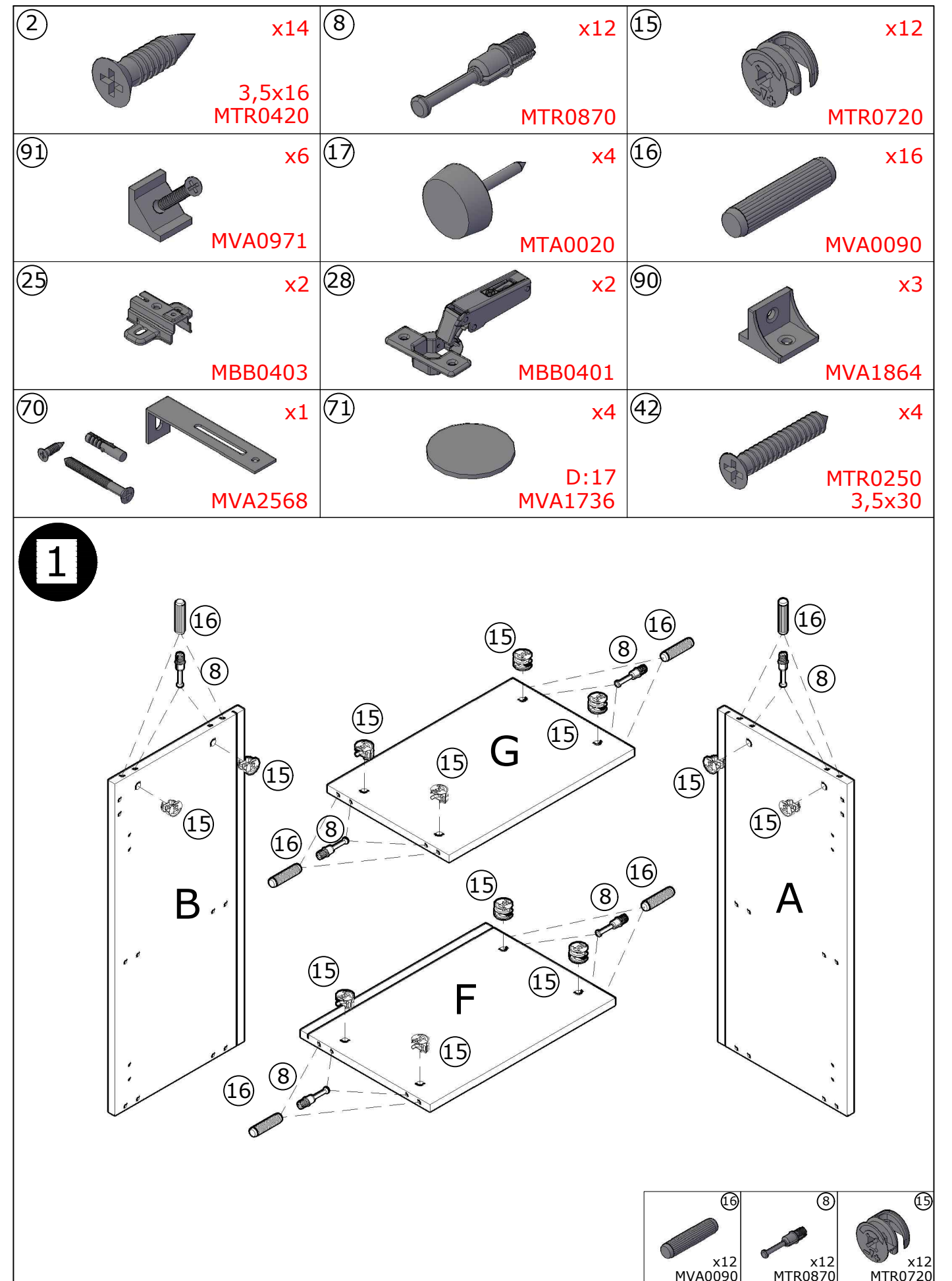
MODULO LATERAL APARADOR "COZY" 51X75 CM.



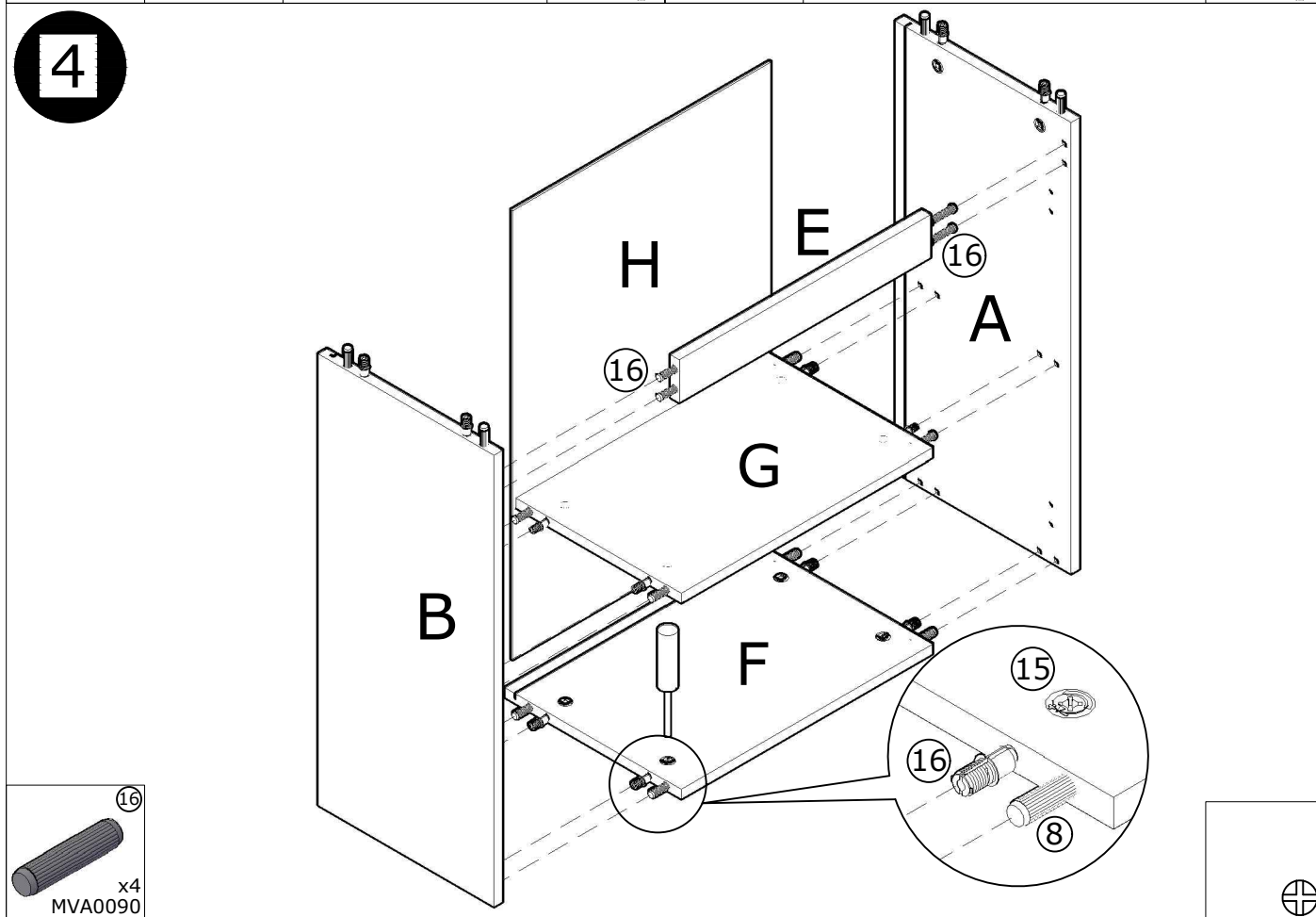
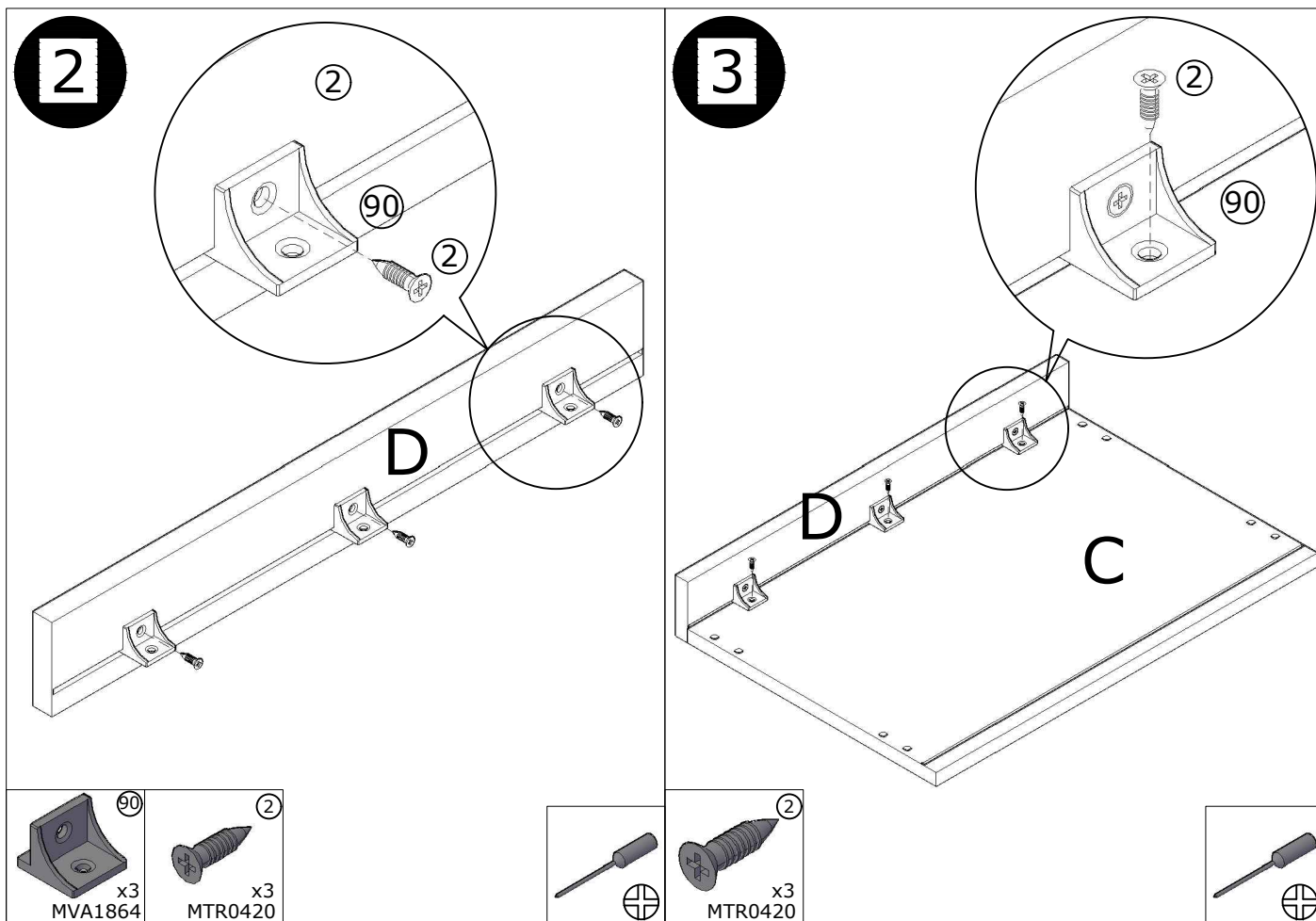
MODULO LATERAL APARADOR "COZY" 51X75 CM.



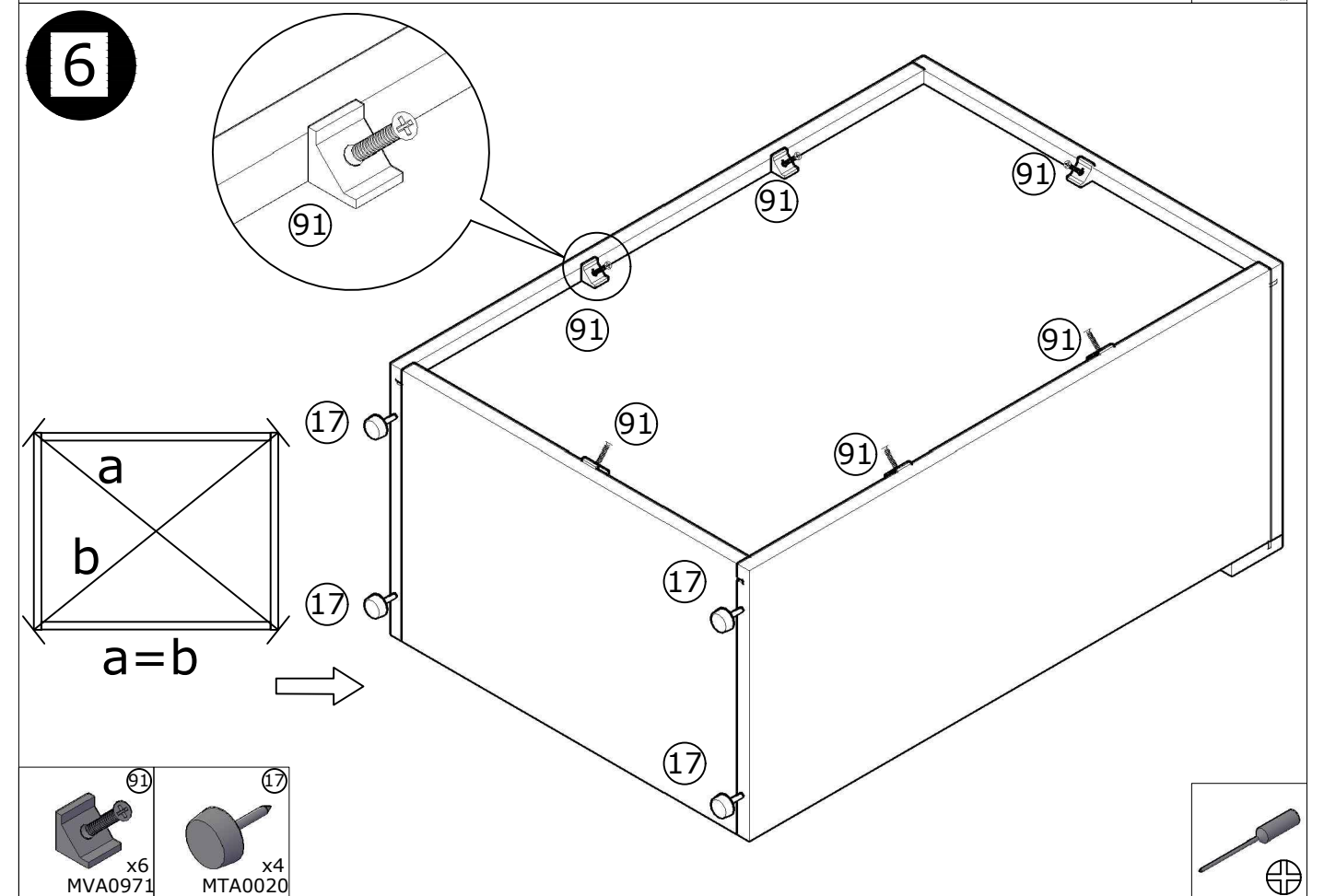
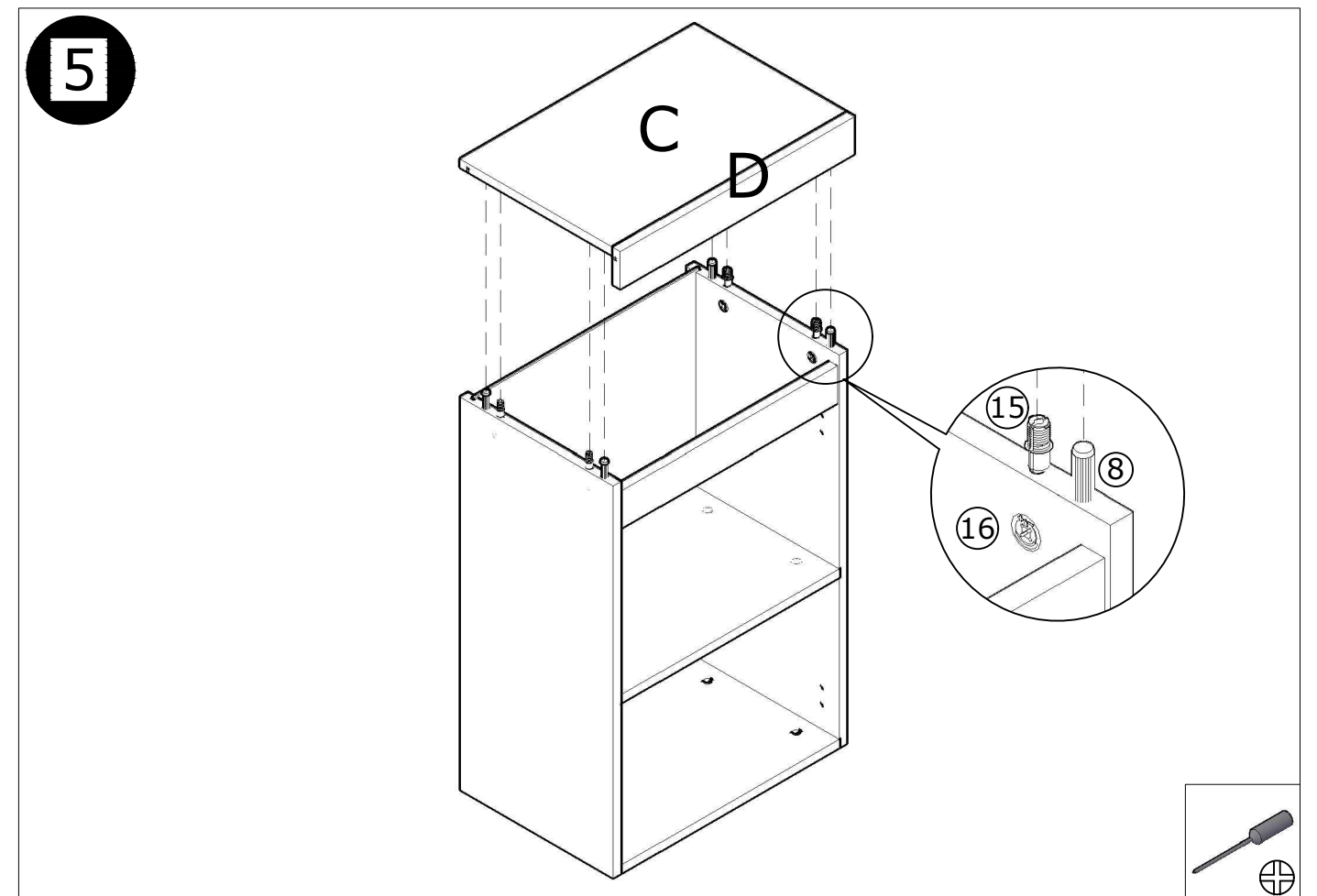
MODULO LATERAL APARADOR "COZY" 51X75 CM.



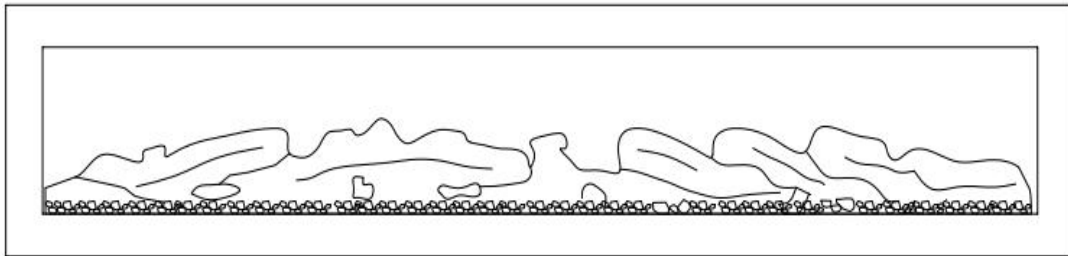
MODULO LATERAL APARADOR "COZY" 51X75 CM.



MODULO LATERAL APARADOR "COZY" 51X75 CM.



OWNER'S MANUAL ELECTRIC FIREPLACE



AC 220V-240V 50Hz

⚠ WARNING//
⚠ Waarschuwing

Read and understand this entire owner's manual, including **all safety information**, before plugging in or **using** this product. Failure to do so could result in **fire, electric shock, or serious personal injury**.

Lees en begrijp deze gehele gebruikershandleiding, inclusief alle veiligheidsinformatie, voordat u de stekker in het stopcontact steekt of dit product gebruikt. Als u dit niet doet, kan dit leiden tot brand, elektrische schokken of ernstig persoonlijk letsel.

IMPORTANT SAFETY INFORMATION!

WARNING

When using electrical appliances basic precautions should always be followed to reduce the risk of fire, electric shock and injury to persons, including the following:

- Read all instructions before using this fireplace.
- Always unplug fireplace when not in use.
- Do not operate any fireplace with a damaged cord or plug or after the fireplace malfunctions, has been dropped damaged in any manner, return fireplace to authorized service facility for examination, electrical or mechanical adjustment, or repair.
- Indoor use only, do not use outdoors.
- This fireplace is not intended for use in bathrooms, laundry areas and similar indoor locations. Never locate fireplace where it may fall into a bathtub or other water container.
- Do not run cord under carpeting. Do not cover cord with throw rugs, runners, or similar coverings. Arrange cord away from traffic area and where it will not be tipped over.
- To disconnect fireplace, turn controls to off, then remove plug from outlet.
- Use this fireplace only as describes in this manual. Any other use not recommended by the manufacturer may cause fire, electric shock, or injury to persons.
- Replacement of the lamps should be done only while the fireplace is disconnected from the supply circuit.
- This appliance is not intended for use by persons (including children) with reduced physical, sensory or capabilities, or lack of experience and knowledge, unless they have been given supervision or instruction concerning use of the appliance by a person responsible for their safety. Children should be supervised to ensure that they do not play with the appliance.

Preparation

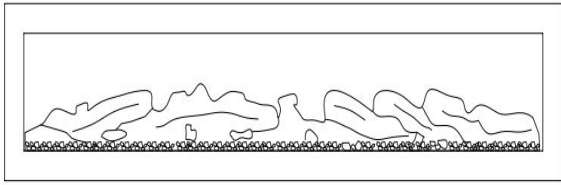


This product includes a **GLASS panel!** Always use **extreme caution** when handling **glass**. Failure to do so could result in **personal injury** or **property damage**.

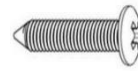
Remove all parts and hardware from the carton and place them on a clean, soft, dry surface. Parts and assembly steps are grouped for wall-hanging or recessing use. Check the parts list to make sure nothing is missing. Dispose of packaging materials properly. Please recycle whenever possible.

You will need the following tools (not included): Phillips screwdriver; stud finder; level; tape measure; electric drill; 1/4" wood drill bit, hammer.

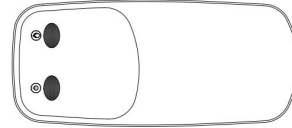
Parts and Hardware



A – Deluxe Fireplace

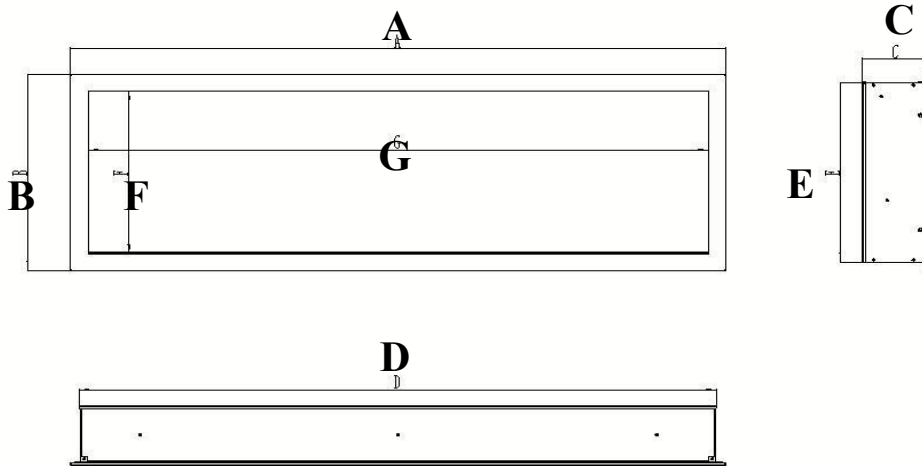


B – Wood Screws



C – Remote Control

Specification and Dimension

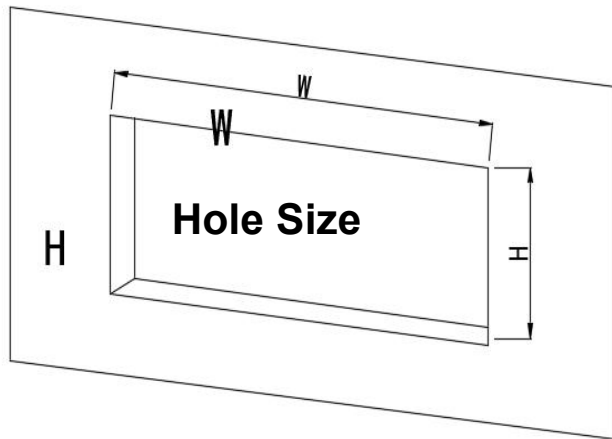


PRODUCT DIMENSIONS

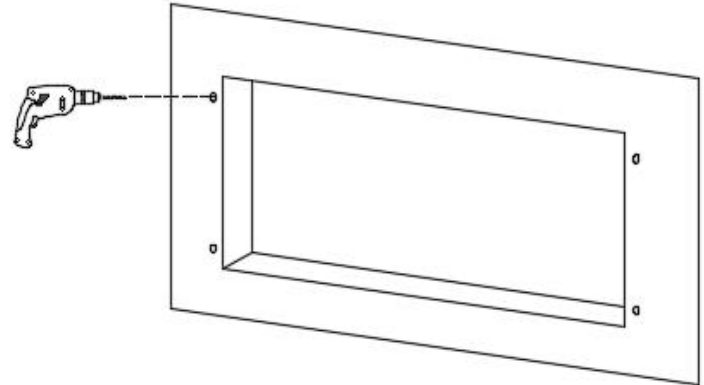
Model Number	A	B	C	D	E	F	G
Pro 40	40" 101.6cm	8.19" 20.8cm	5.05" 12.82cm	38.73" 98.37cm	7.41" 18.82m	5.43" 13.8cm	37.24" 94.6cm
Pro 42	42" 106.7cm	12.60" 32cm	5.05" 12.82cm	40.74" 103.47cm	11.82" 30.02cm	9.84" 25cm	39.25" 99.7cm

Installation and Assembly

RECESSED TOWALL INSTALLATION



(A)



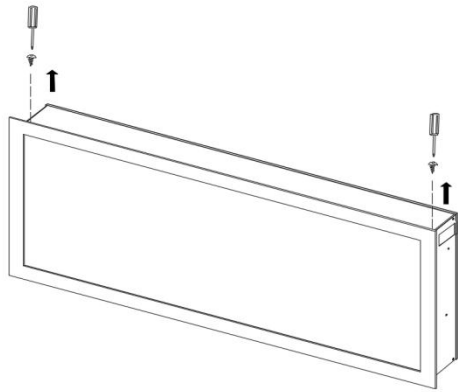
(B)

STEP A. Selection a dry wall to open a hole for fireplace box. Size of hole as below chart.

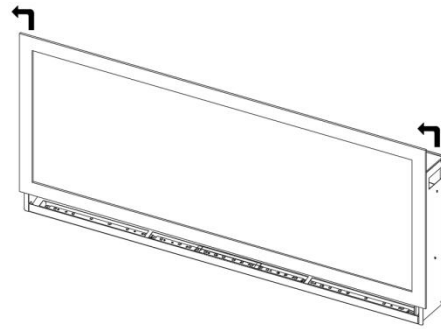
Figure(A)

Model Number	W	H
Pro 40	38.90"(98.8cm)	7.68"(19.5cm)
Pro42	40.91"(103.9cm)	12.09"(30.7cm)

STEP B. Fix the wall anchors in each side of the fireplace box according to the dimensions showed On the drawing. **Figure (B)**



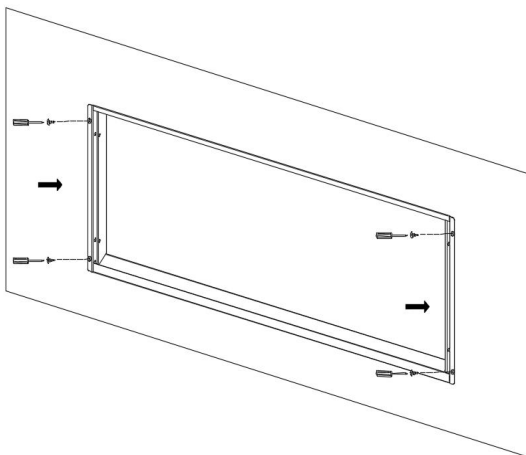
(B)



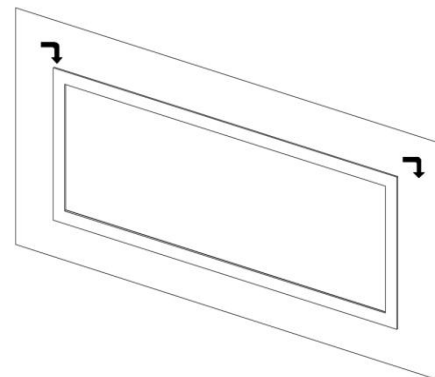
(D)

STEP C. Take off the screw in both sides of the top fireplace box. **Figure(C)**

STEP D. Have two person to take the glass panel out of the fireplace box. Place it to a soft and clean Place. **Figure(D)**

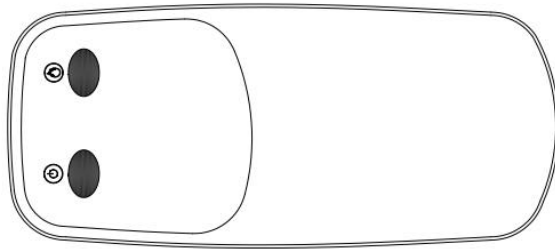


(G)


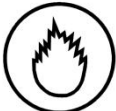


(H)

- Use the 4 screws (provided) to lock the appliance into the wall with the existing two sides See **Figure(G)**
- Reinstall the two brackets, then install the media and re-install the glass front. **Figure(H)**



Remote Control Operation

BUTTON	FUNCTION	ACTION & INDICATION
 POWER	<p>ON: Enables control panel functions and remote control. Turns on flame effect.</p> <p>OFF: Disables control panel functions and remote control. Turns off flame effect.</p>	<p>1. Press once. Indicator light turns on. Power turns on. All functions enabled.</p> <p>2. Press again. Flame effect turns off. Unit goes to standby. All functions turn off.</p>
 FLAME BRIGHTNESS	<p>FLAME button: Makes flame effect dimmer and brighter.</p> <p>NOTE: Flame effect stays on until power button is turned off. Flame effect must be on for heater to turn on.</p>	<p>1. Press once. Indicator light turns on. Flame brightness effect gets changing.</p> <p>2. Press again. until desired setting is reached.</p>

NOTICE To improve operation, **aim** the remote control at the front of the fireplace. **DO NOT press the buttons too quickly.** Give the unit time to respond to each command.

Remote Control Battery Information

Remote control uses one CR2025 battery (Included)



NEVER dispose of batteries in **fire**. Failure to observe this precaution **may result in an explosion**. Dispose of batteries at your local hazardous material processing center.

Care and Maintenance

Cleaning



ALWAYS turn the fireplace **OFF** and **unplug the power cord from the outlet** before cleaning, performing maintenance, or moving this fireplace. Failure to do so could result in **electric shock, fire, or personal injury**.



NEVER immerse in **water** or **spray with water**. Doing so could result in **electric shock, fire, or personal injury**.

Metal:

- Buff using a soft cloth, slightly dampened with a citrus oil-based product.
- **DO NOT** use brass polish or household cleaners as these products will damage the metal trim.

Glass:

- Use a good quality glass cleaner sprayed onto the cloth or towel. Dry thoroughly with a paper towel or lint-free cloth.
- **NEVER** use abrasive cleansers, liquid sprays, or any cleaner that could scratch the surface.

Vents:

- Use a vacuum or duster to remove dust and dirt from the fireplace and vent areas.

Plastic:

- Wipe gently with a slightly damp cloth and a mild solution of dish soap and warm water.
- **NEVER** use abrasive cleansers, liquid sprays, or any cleaner that could scratch the surface.

Maintenance



Risk of electric shock! DO NOT OPEN any panels! No user-serviceable parts inside!



ALWAYS turn the fireplace **OFF** and **unplug the power cord from the outlet** before cleaning, performing maintenance, or moving this fireplace. Failure to do so could result in **electric shock, fire, or personal injury.**

Electrical and Moving Parts:

- Electrical components are integrated in the fireplace and are not serviceable by the consumer.

Storage:

- Store fireplace in a clean dry place when not in use.



WARNING! NO SERVICING of the internal or electrical parts should be performed by the consumer. Do not service the unit yourself.



WEEE:

Meaning of crossed –out wheeled dustbin:

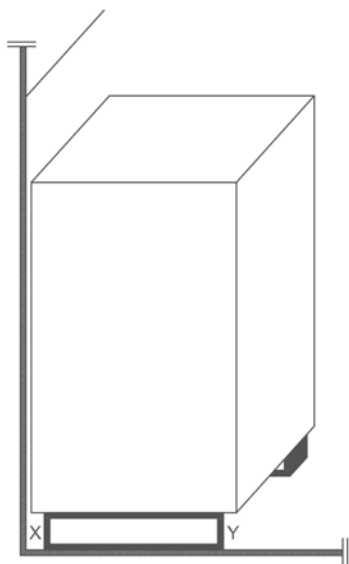
Do not dispose of electrical appliances as unsorted municipal waste, use separate collection facilities. Contact your local government for information regarding the collection systems available. If electrical appliances are disposed of in landfills or dumps, hazardous substances can leak into the groundwater and get into the food chain, damaging your health and well-being.

When replacing old appliances with new ones, the retailer is legally obligated to take back your old appliance for disposals at least free of charge.

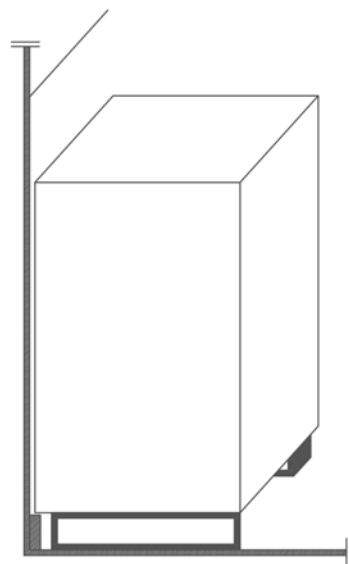
OPTION 1

SIDE VIEW

OPTION 2



X cm = Y cm

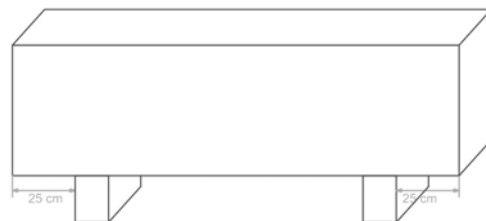


FRONT VIEW

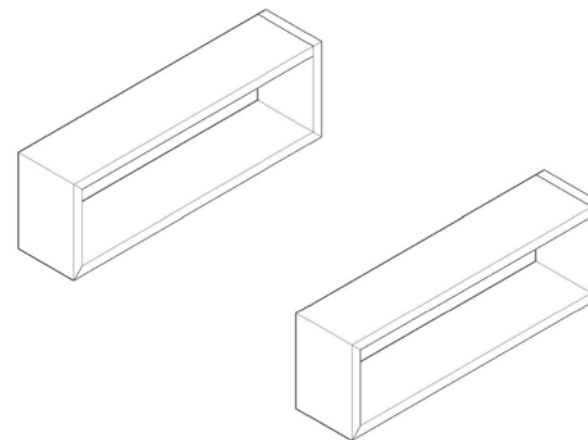
100 cm / 120 cm / 140 cm



160 cm / 180 cm



2 PATA "BO" 8x12x31 cm



ES	2 PATA "BO" 8x12x35 cm	PT	2 PÉ DE MÓVEIS "BO" 8x12x35 cm
FR	2 PIED DE MEUBLE "BO" 8x12x35 cm	IT	2 PIEDINO "BO" 8x12x35 cm
EN	2 FURNITURE FOOT "BO" 8x12x35 cm	DE	2 MÖBELFUSS "BO" 8x12x35 cm



ES	SEGURIDAD RESPECTAR LAS INSTRUCCIONES DE MONTAJE DESCRITAS EN EL FOLLETO	PT	SEGURANCA RESPEITAR AS INSTRUÇÕES DE MONTAGEM DESCRÉVIDAS NA INSTRUÇÕES DE USO
FR	SECURITE RESPECTER LES INSTRUCTIONS DE MONTAGE DANS LA NOTICE	IT	SICUREZZA RISPETTARE LE ISTRUZIONI DI MONTAGGIO DESCRITTE NEEL'AVVERTENZA
EN	CAUTION FOLLOW CAREFULLY THE ASSEMBLING INSTRUCTIONS DESCRIBED IN THE DIRECTIONS	DE	SICHERHEITSVORSCHRIFTEN BEACHTEN SIE BITTE UNGEDINGI DIE ANGEGBENER AUFBAUVORSCHRIFTEN

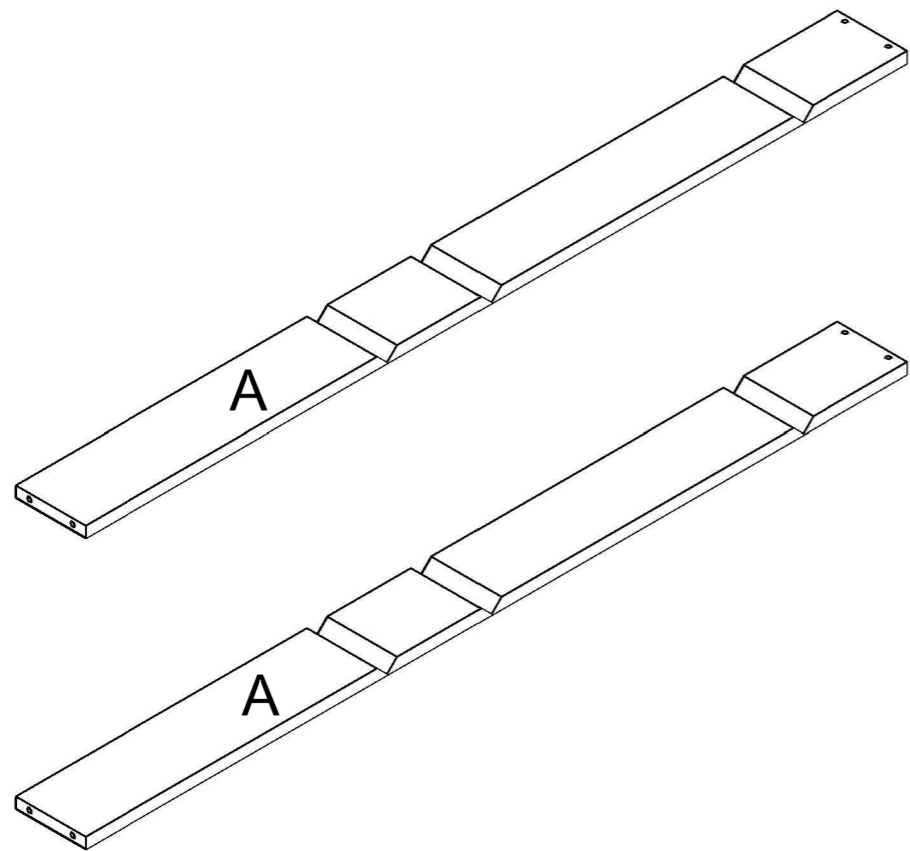


MPATR4139

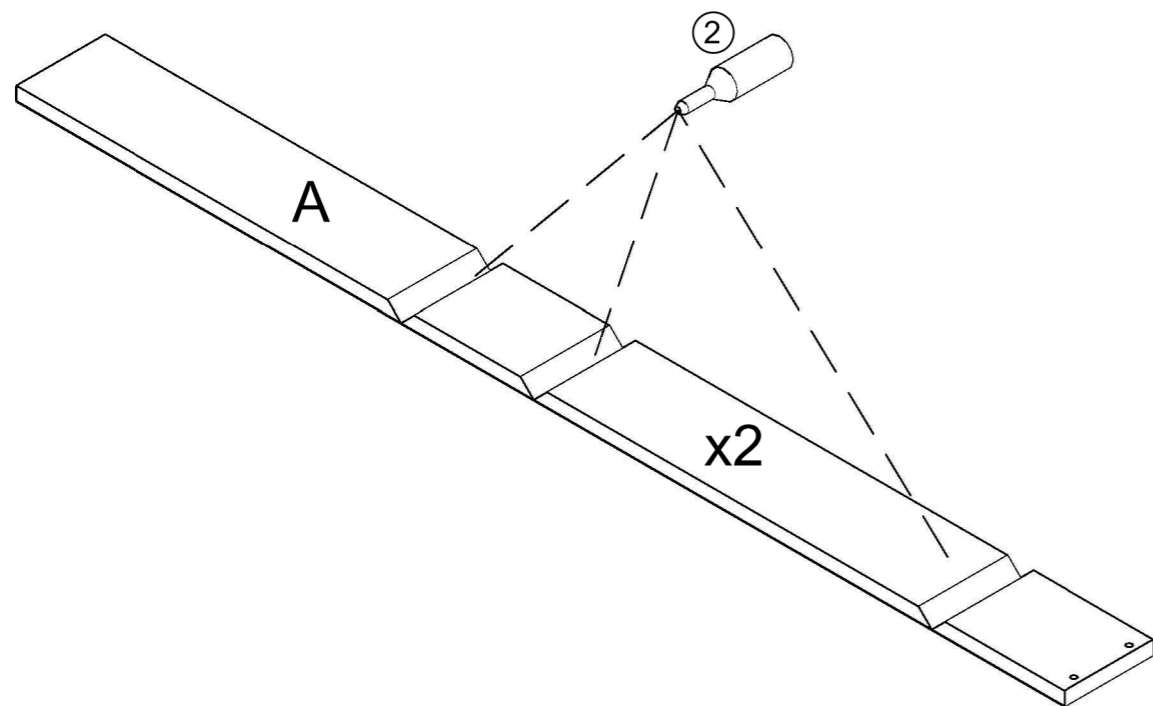


2 PATA "BO" 8x12x31 cm

A MCA4318 x2



1



2 PATA "BO" 8x12x31 cm

- | | | | | | |
|---|----------------------------------------------------------------------------------------------------------|---|---------------------------------------------------------------------------------------------------|---|---------------------------------------------------------------------------------------------------|
| ① |  x4
MTR0793
5x50 | ② |  x1
MCL0090 | ③ |  x4
MVA1251 |
| ④ |  x1
MVA0855 | ⑤ |  x4
MSP0135 | ⑥ |  x8
MVA2476 |

