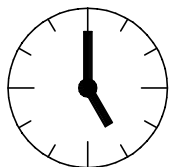
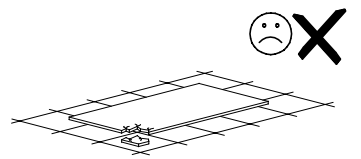
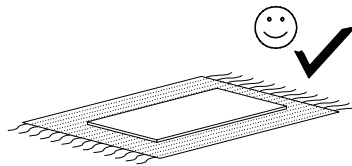
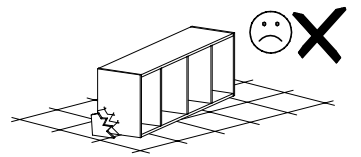
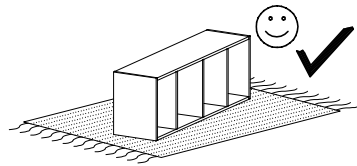
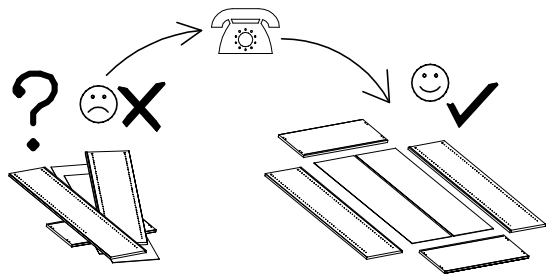
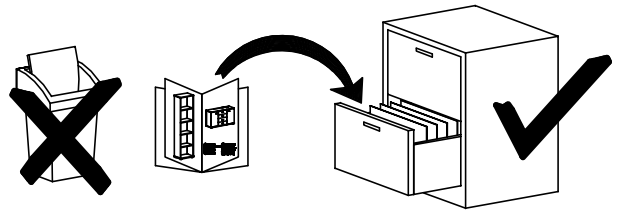
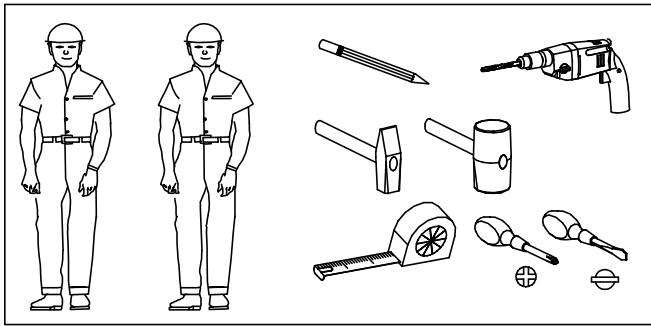
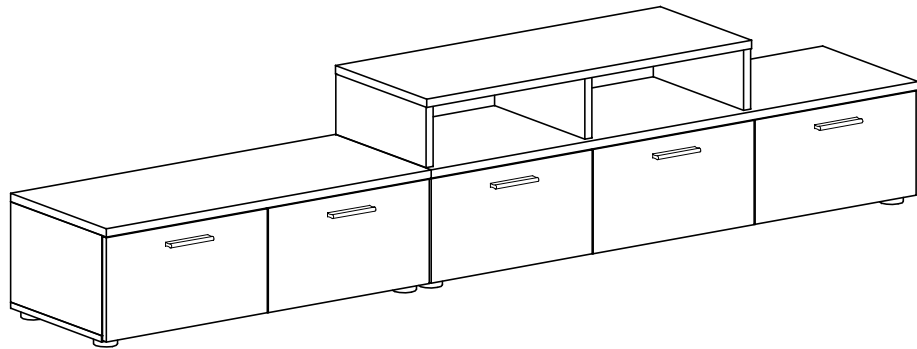
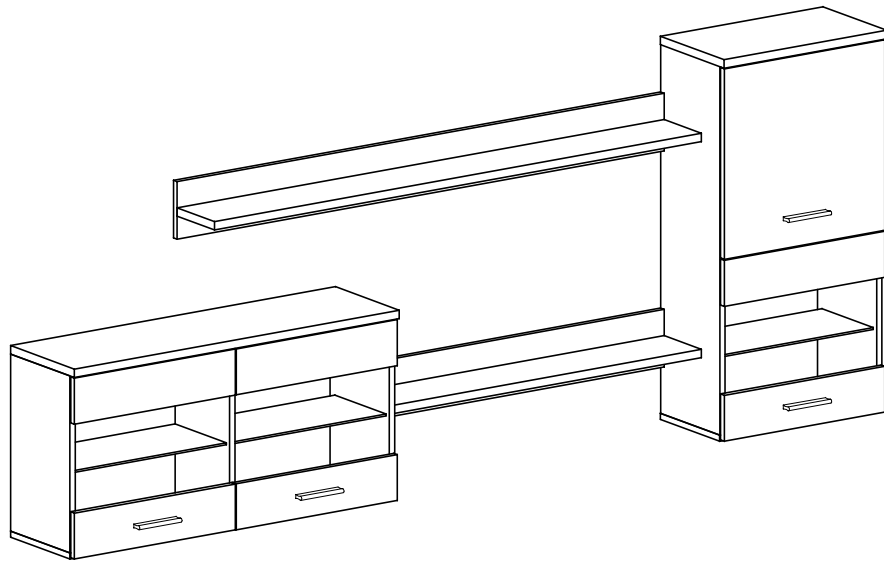
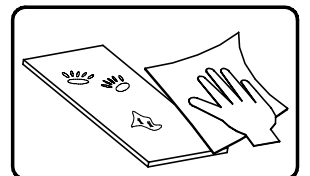
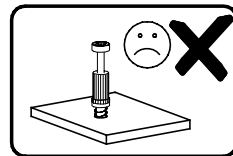
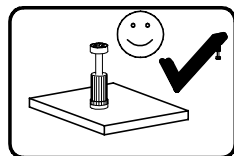
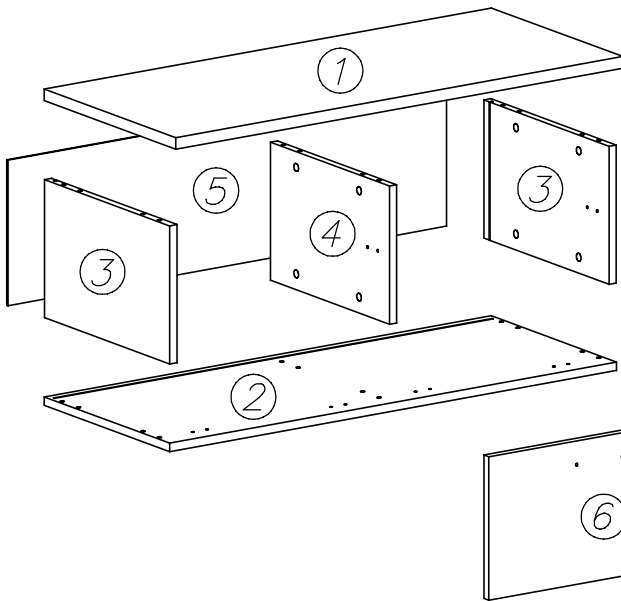
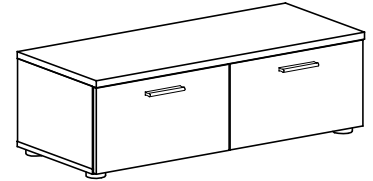
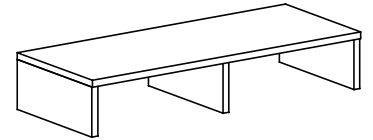
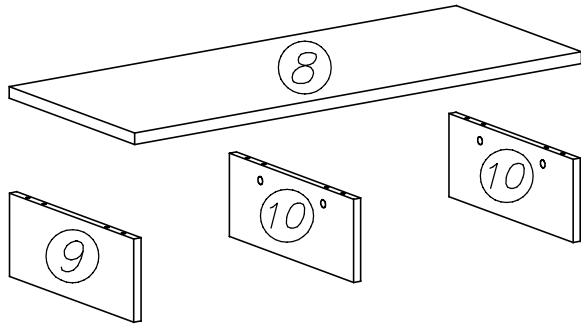
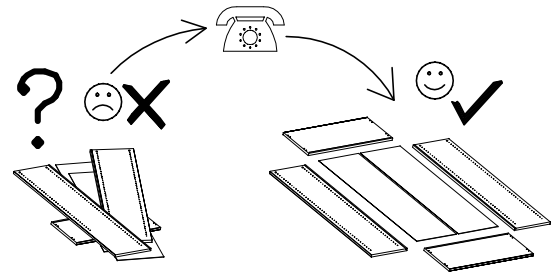
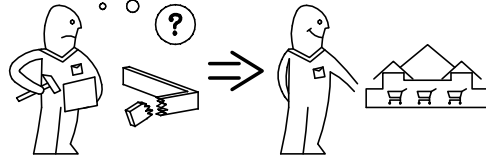
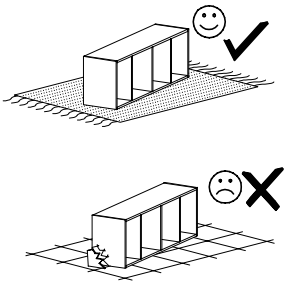


# ALFA



3,5h

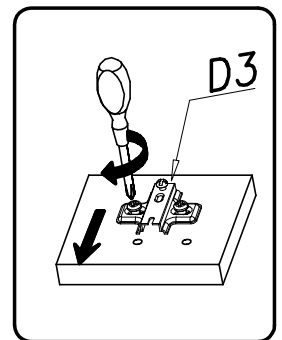
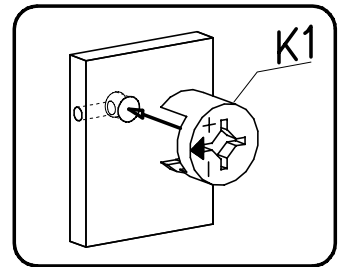
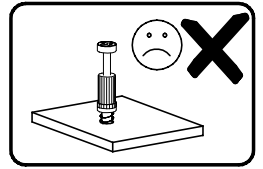
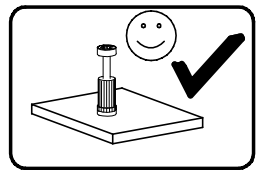
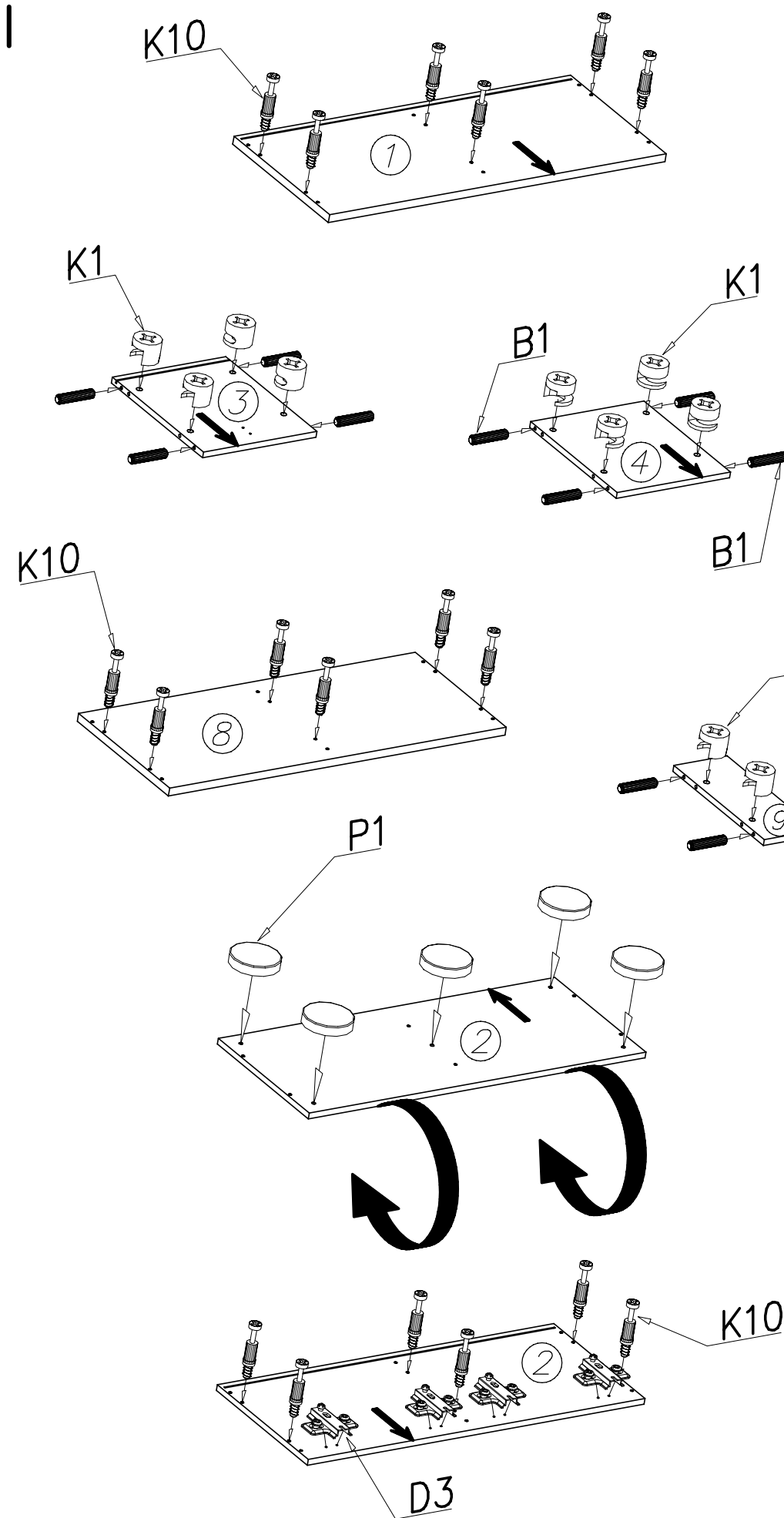
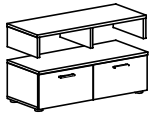


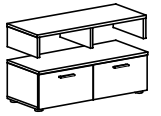


nr	L[mm]	B[mm]	T[mm]	Menge	Colli
1	1000	416	16	1	1/4
2	1000	396	16	1	1/4
3	262	396	16	2	2/4
4	262	376	16	1	1/4
5	979	274	3	1	1/4
6	495	272	16	2	4/4
8	1000	396	16	1	1/4
9	158	390	16	1	2/4
10	158	390	16	2	2/4

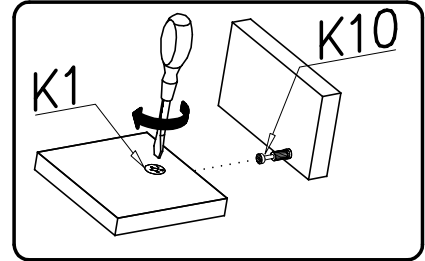
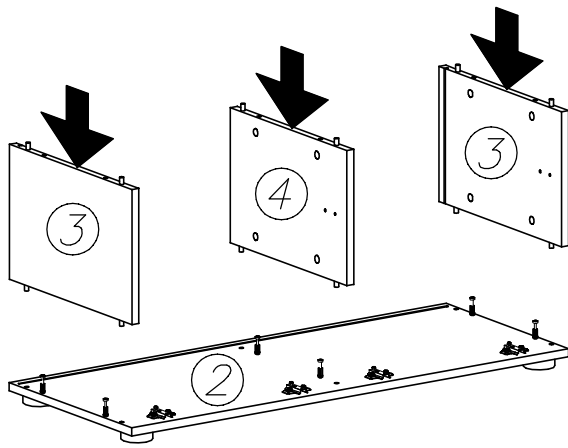


<b>K1</b>  ø15x12 x...(18)	<b>G8</b>  4x30 x...(4)	<b>L6</b>  x...(2)	<b>P1</b>  x...(5)	<b>G21</b>  3x16 x...(9)
<b>K10</b>  x...(18)	<b>B1</b>  ø8x35 x...(18)	<b>C3</b>  Z35PR x...(4)	<b>I1</b>  x...(6)	<b>G36</b>  3,5x13 x...(14)
			<b>D3</b>  PZ35PR x...(4)	<b>E1</b>  128mm x...(2)

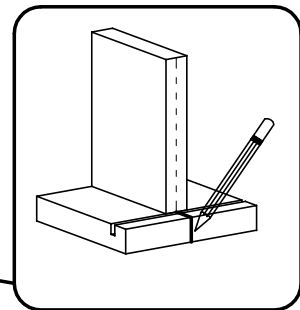
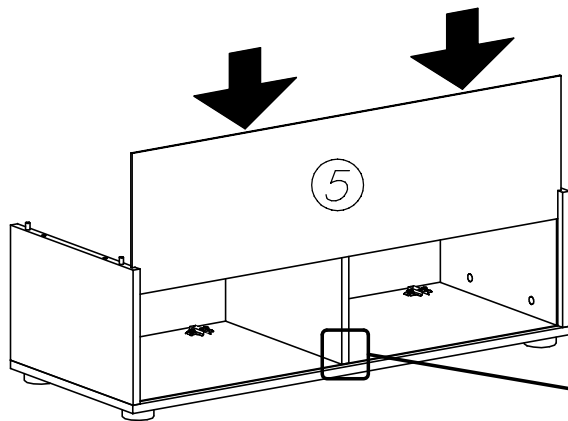




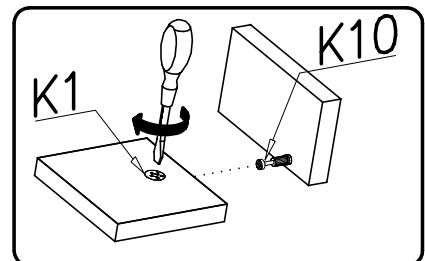
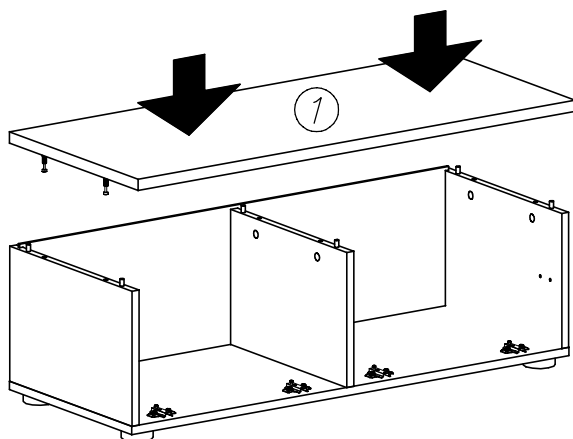
II

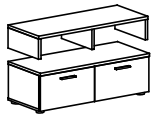


III

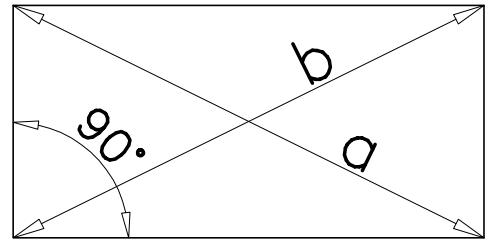
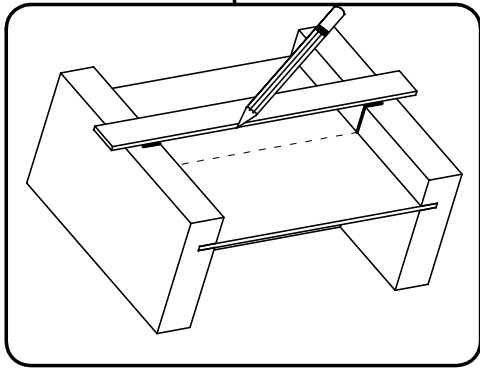
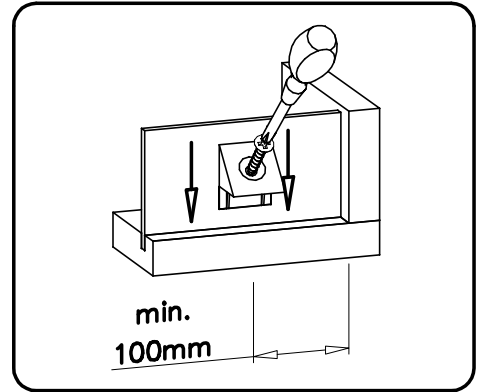
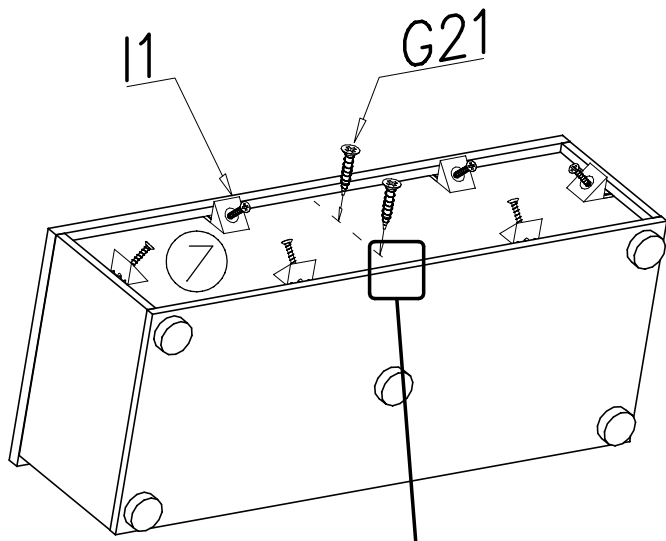


IV



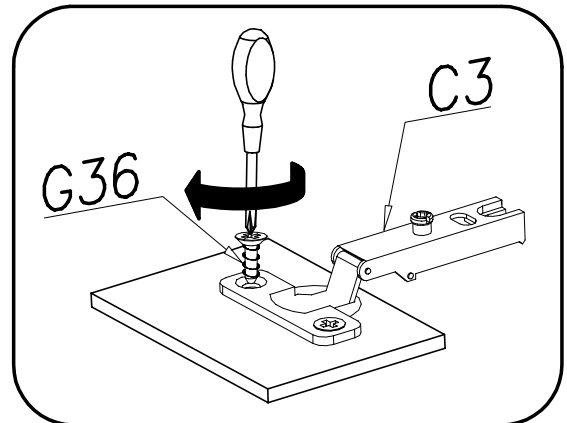
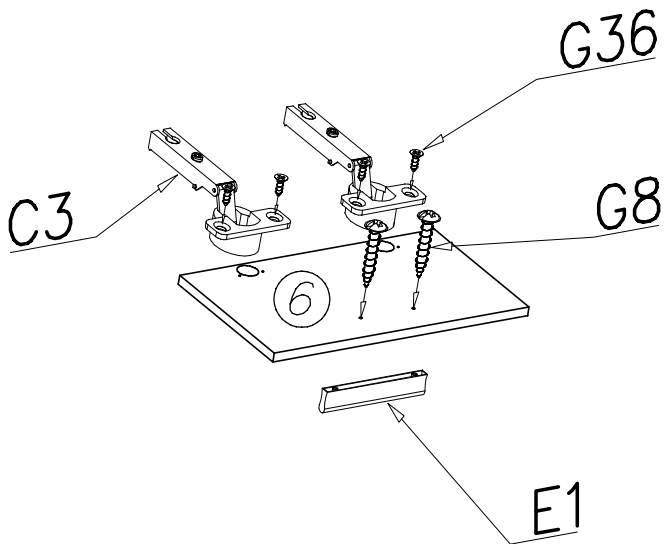


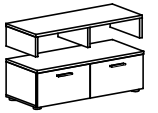
V



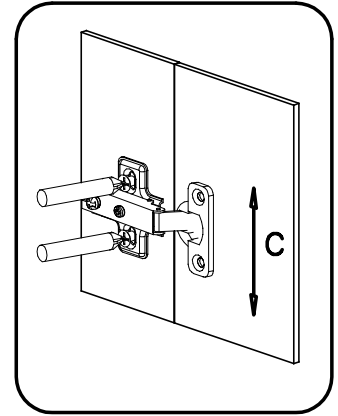
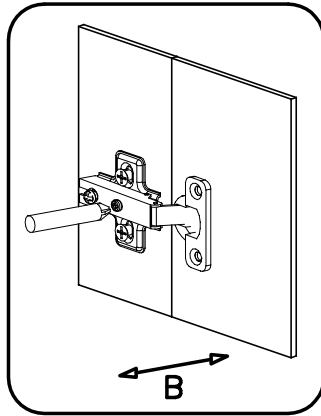
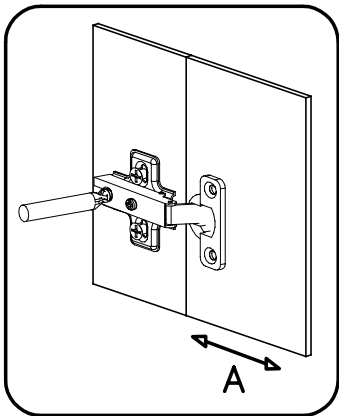
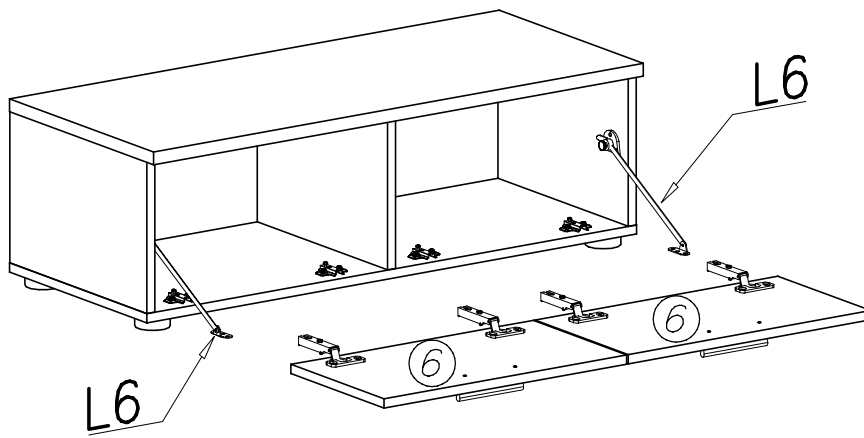
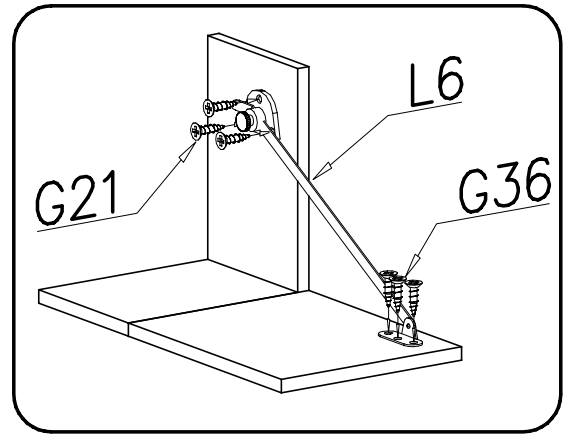
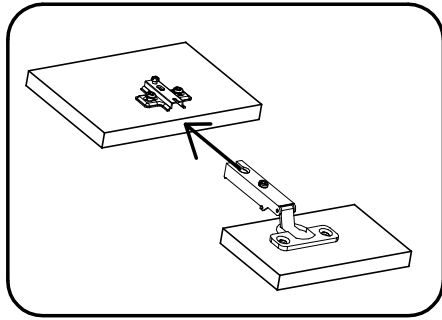
$$a = b$$

VI

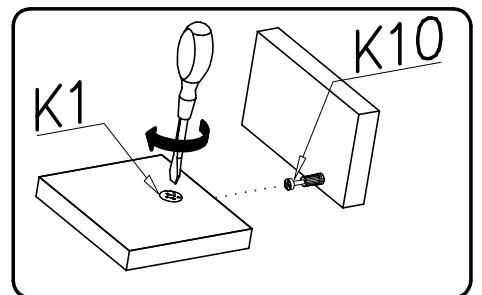
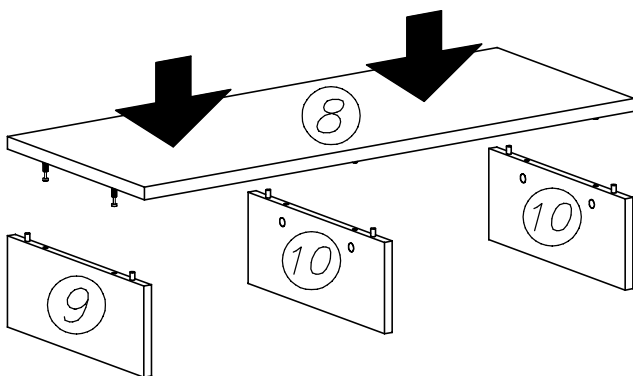


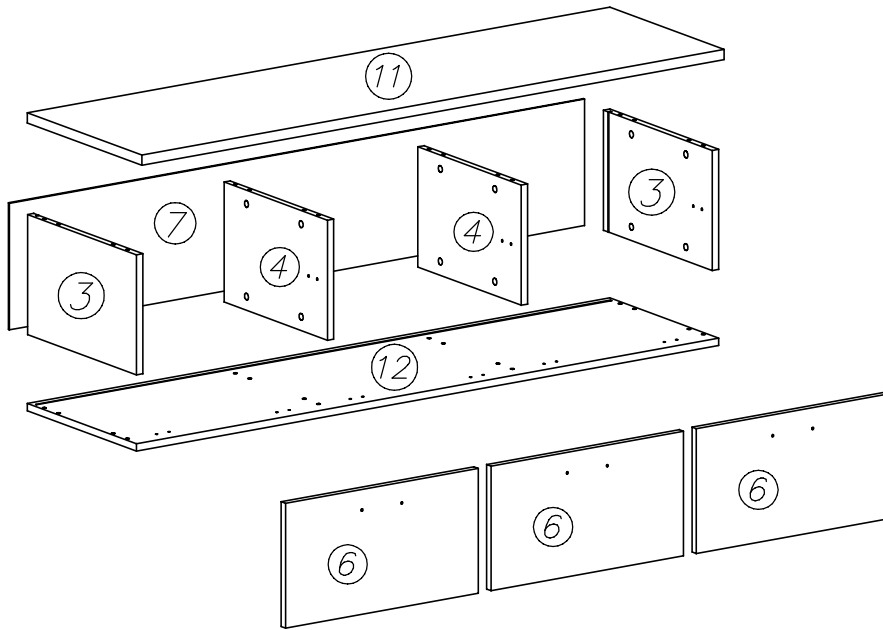
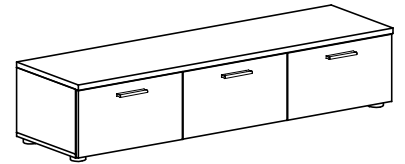
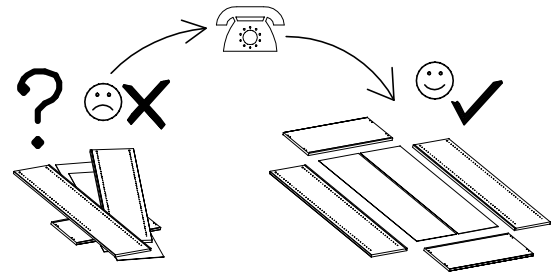
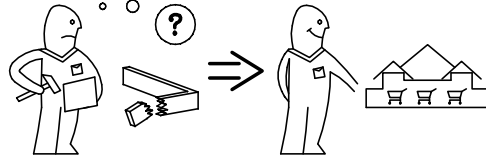
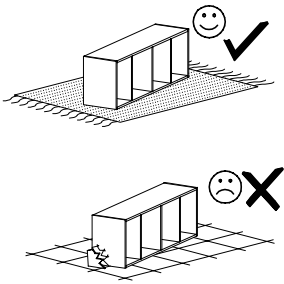


VII



VIII

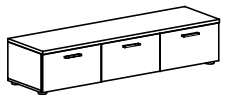




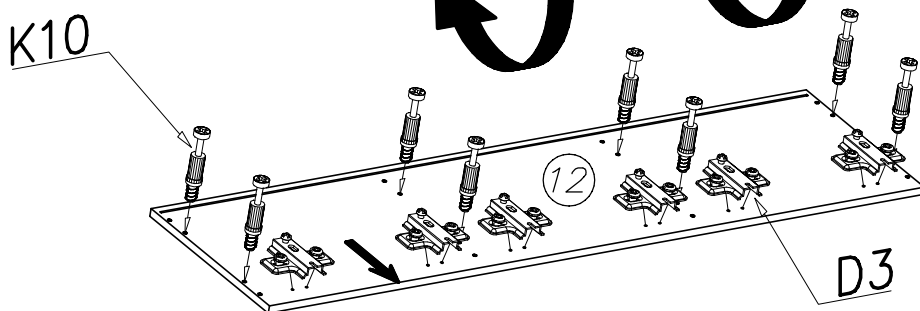
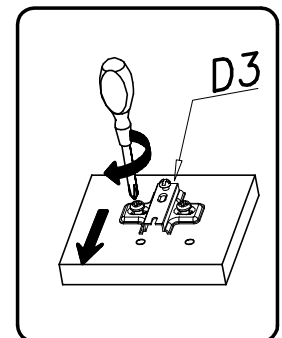
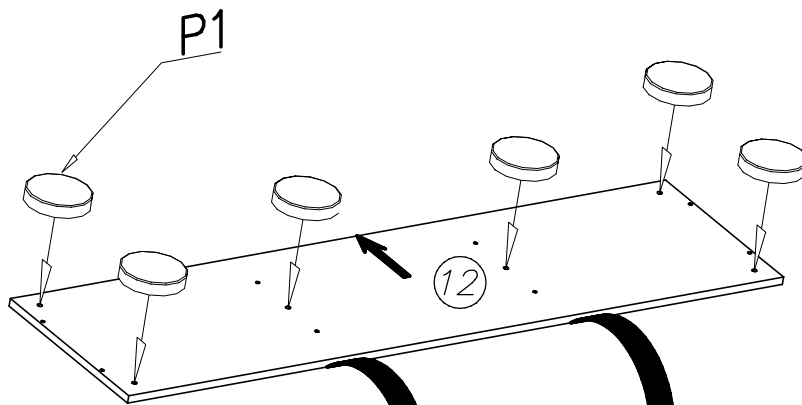
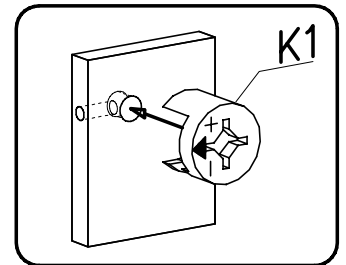
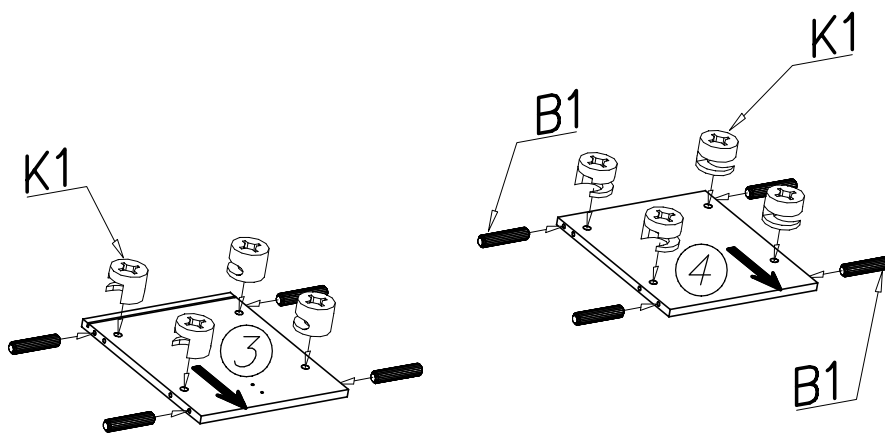
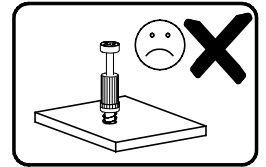
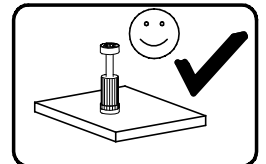
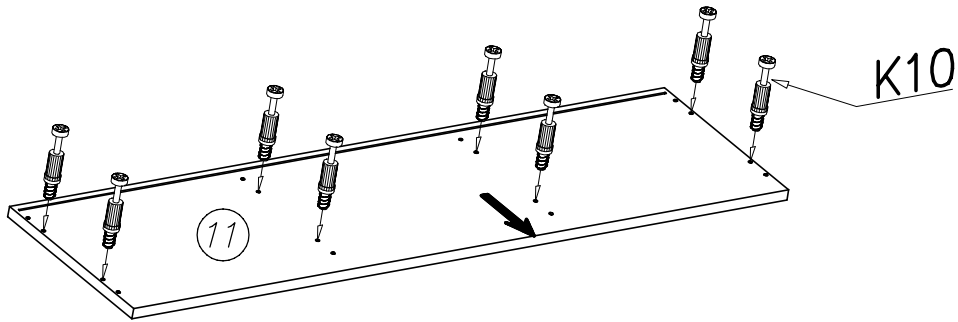
nr	L[mm]	B[mm]	T[mm]	Menge	Colli
3	262	396	16	2	2/4
4	262	376	16	2	1/4
6	495	272	16	3	4/4
7	1479	274	3	1	2/4
11	1499	416	16	1	2/4
12	1499	396	16	1	2/4

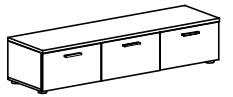


<b>K1</b>  ø15x12 x...(16)	<b>G8</b>  4x30 x...(6)	<b>L6</b>  x...(3)	<b>P1</b>  x...(6)	<b>G21</b>  3x16 x...(15)
<b>K10</b>  x...(16)	<b>B1</b>  ø8x35 x...(16)	<b>C3</b>  Z35PR x...(6)	<b>I1</b>  x...(8)	<b>G36</b>  3,5x13 x...(21)
			<b>D3</b>  PZ35PR x...(6)	<b>E1</b>  128mm x...(3)

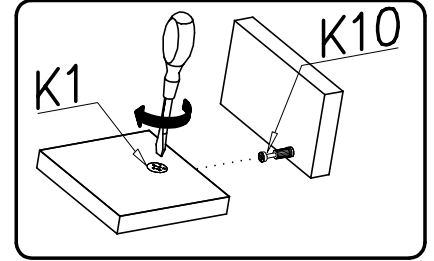
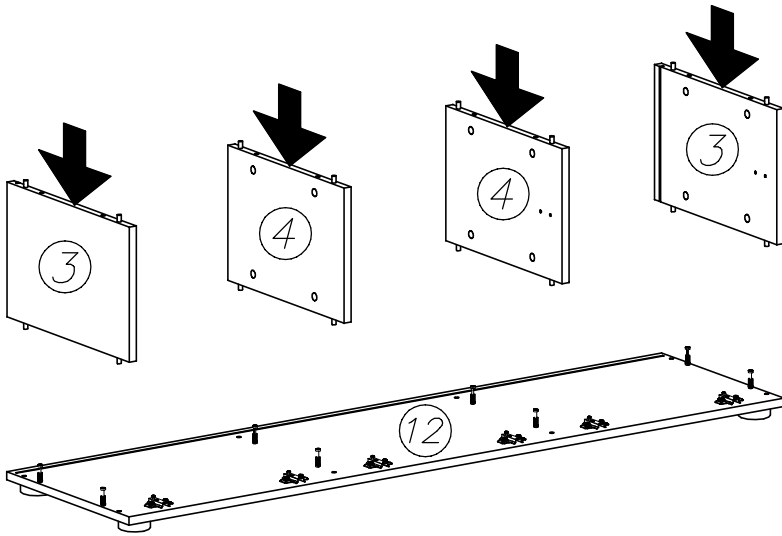


I

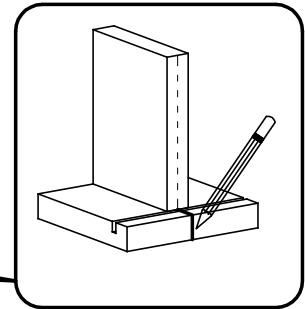
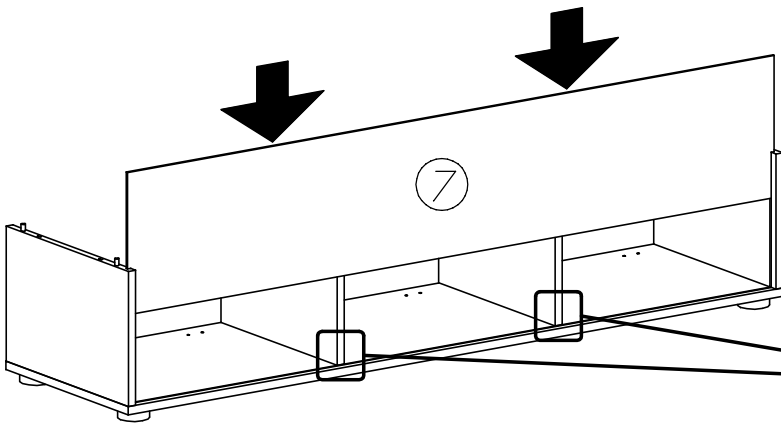




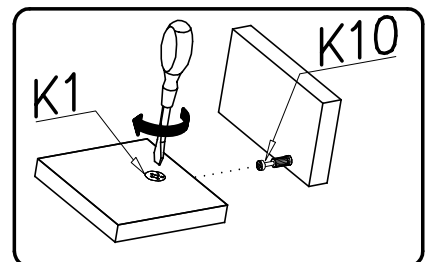
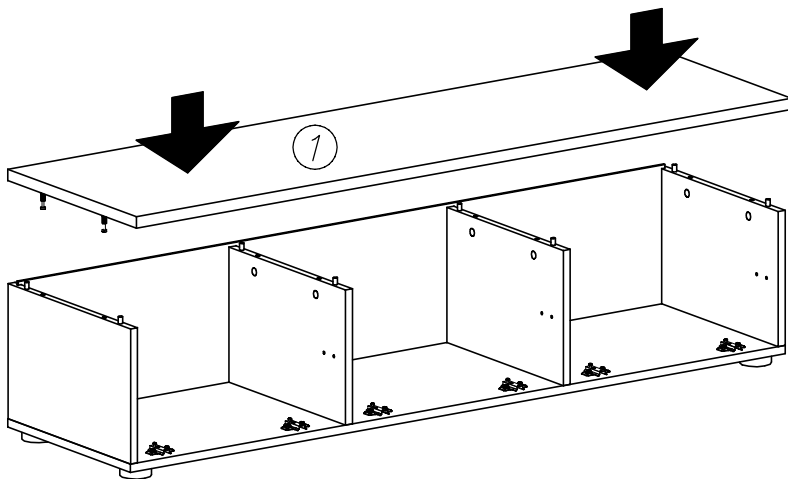
II

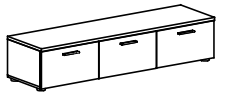


III

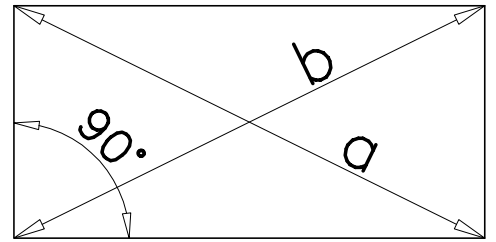
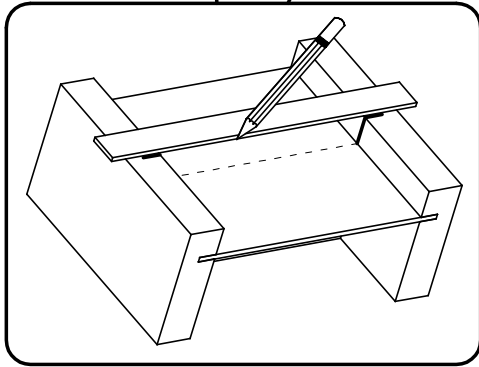
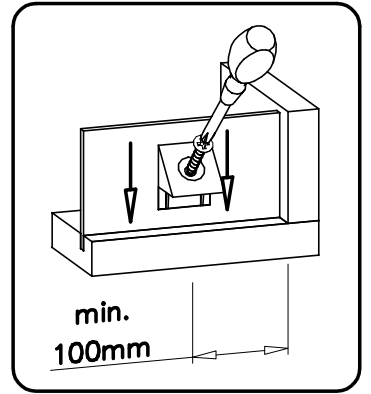
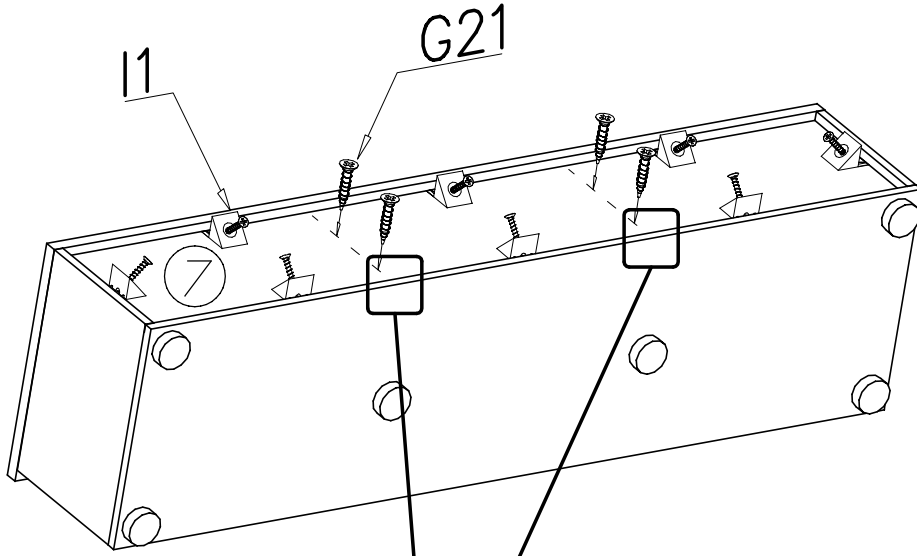


IV



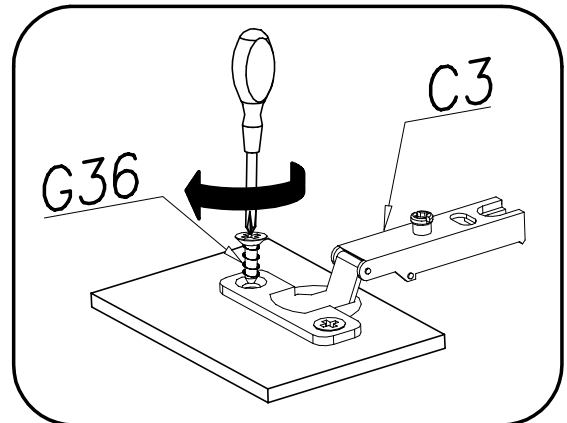
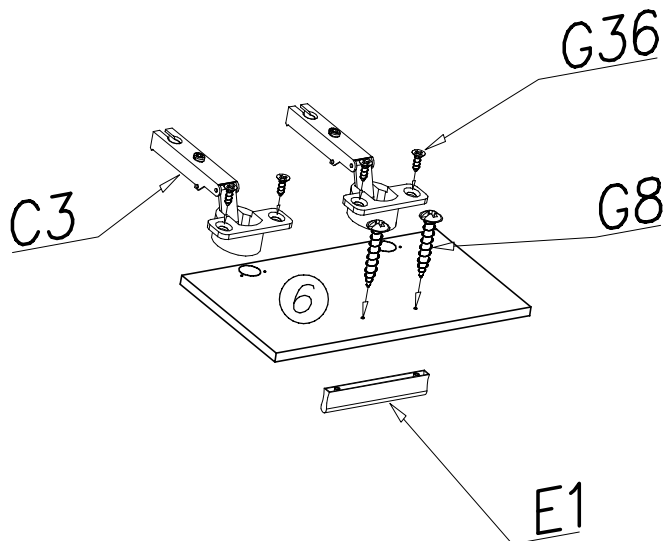


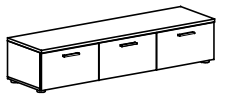
V



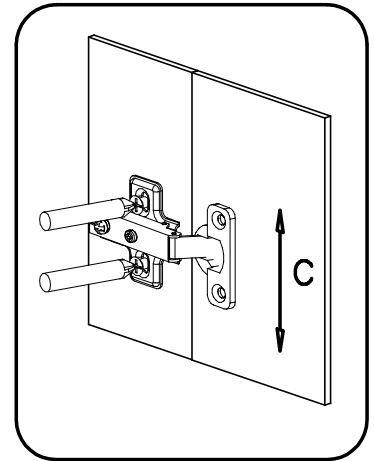
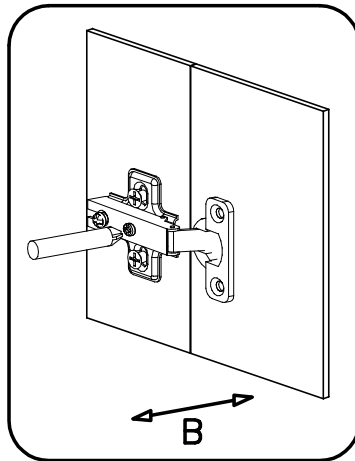
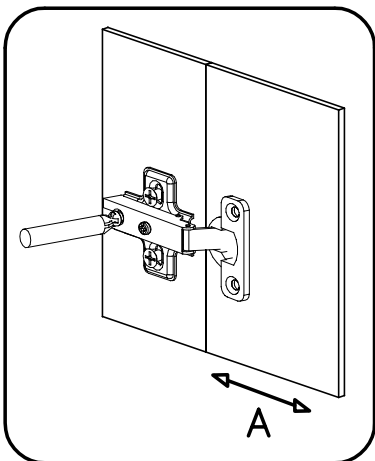
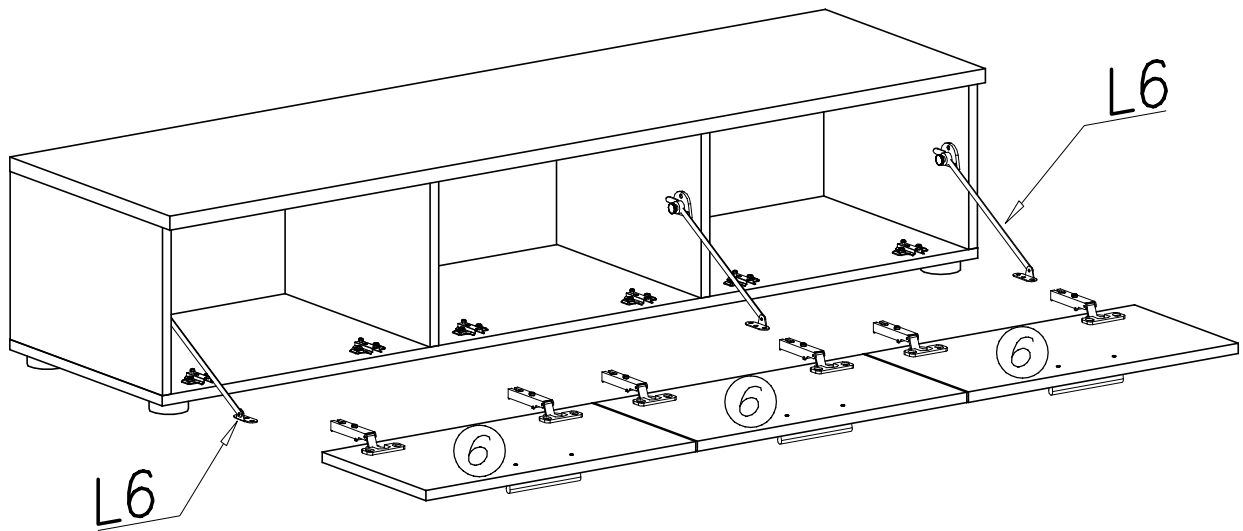
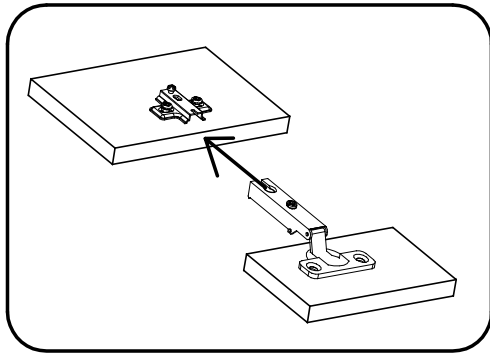
$a=b$

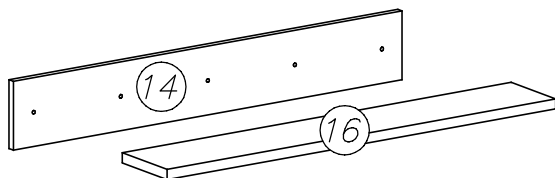
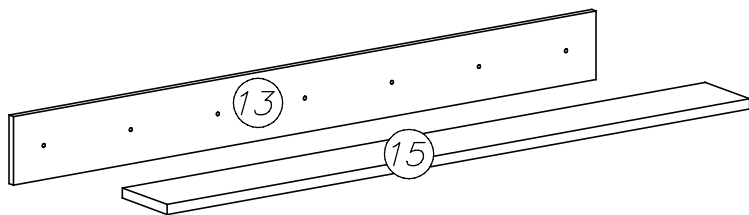
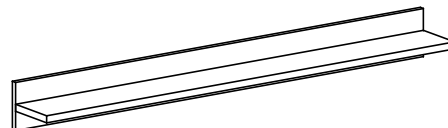
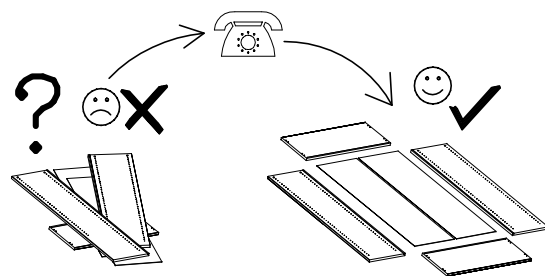
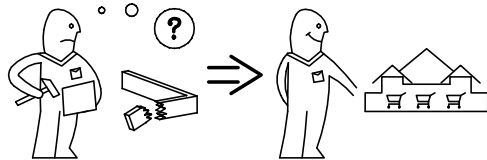
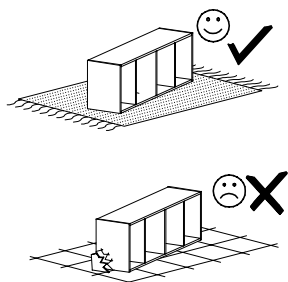
VI



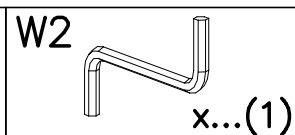
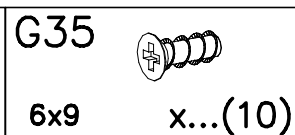
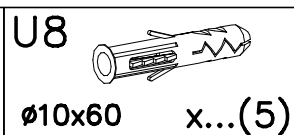
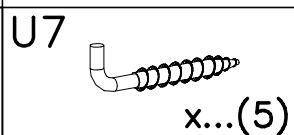
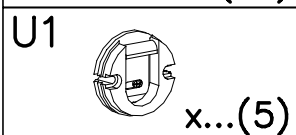
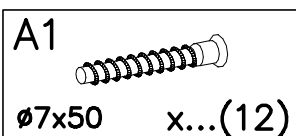


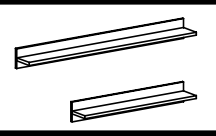
VII



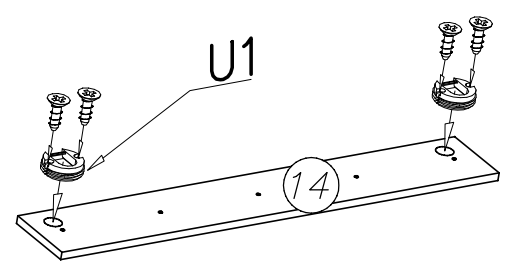
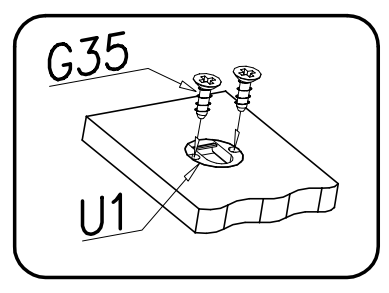
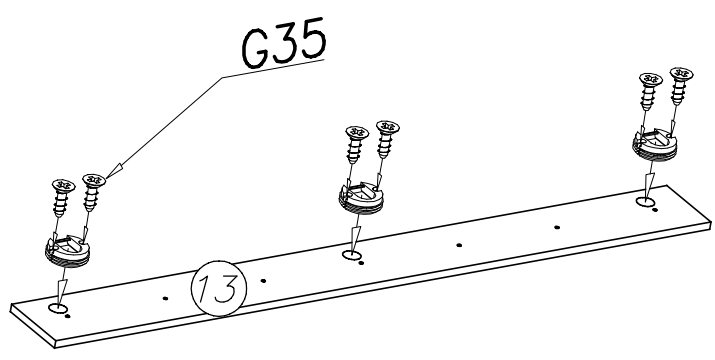


nr	L[mm]	B[mm]	T[mm]	Menge	Colli
13	1499	150	16	1	4/4
14	1000	150	16	1	4/4
15	1497	164	22	1	2/4
16	998	164	22	1	2/4

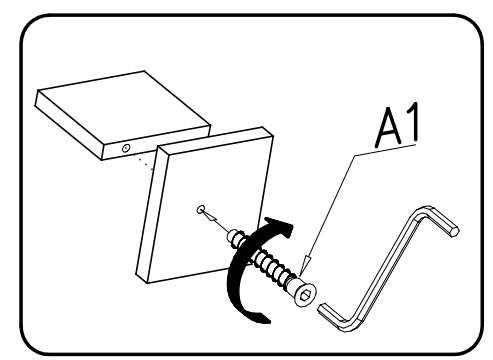
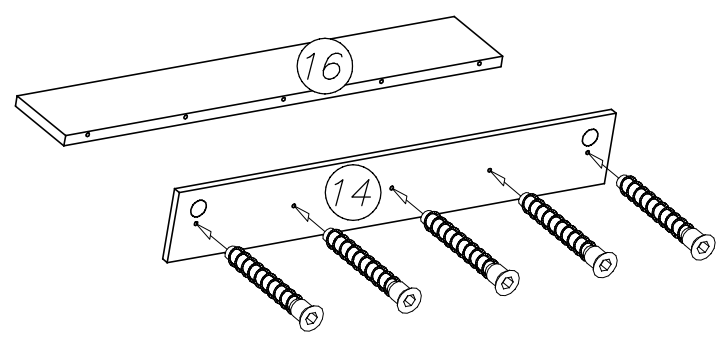
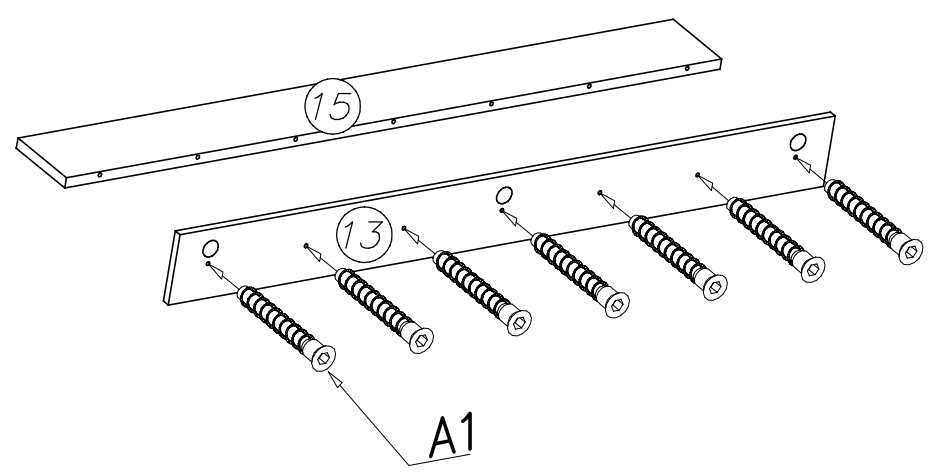


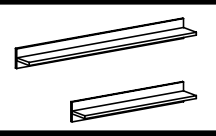


I

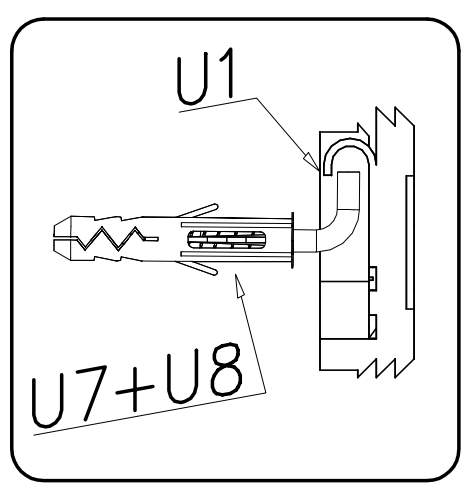
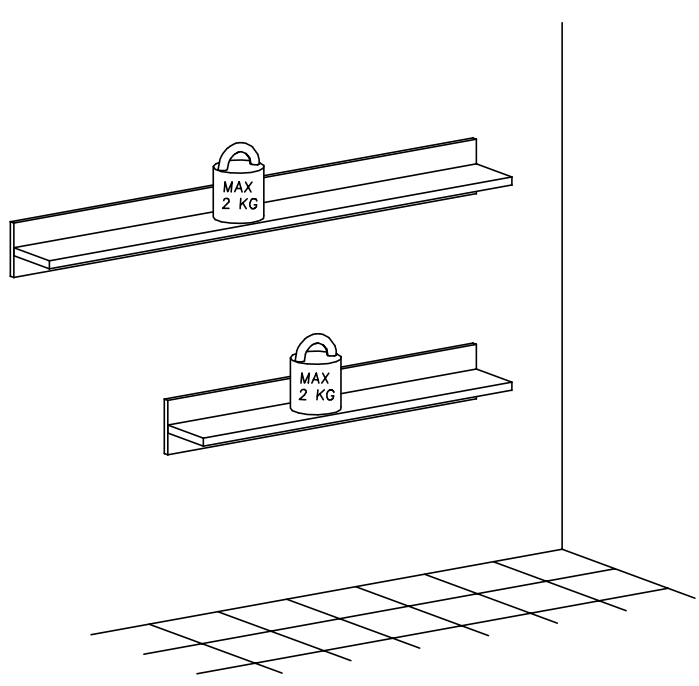
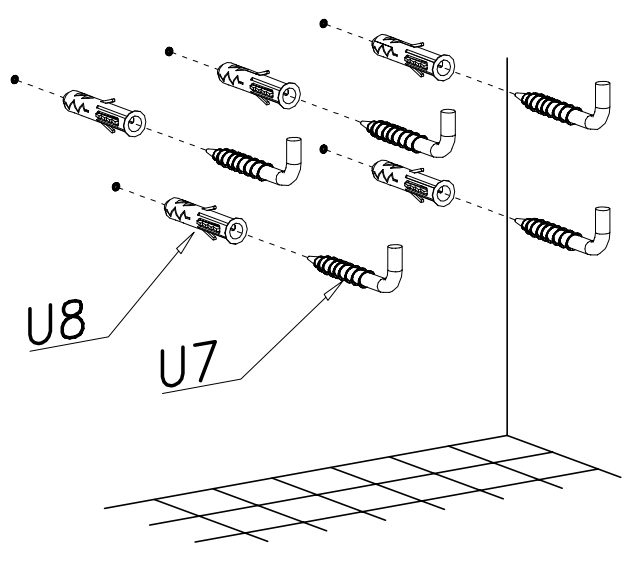
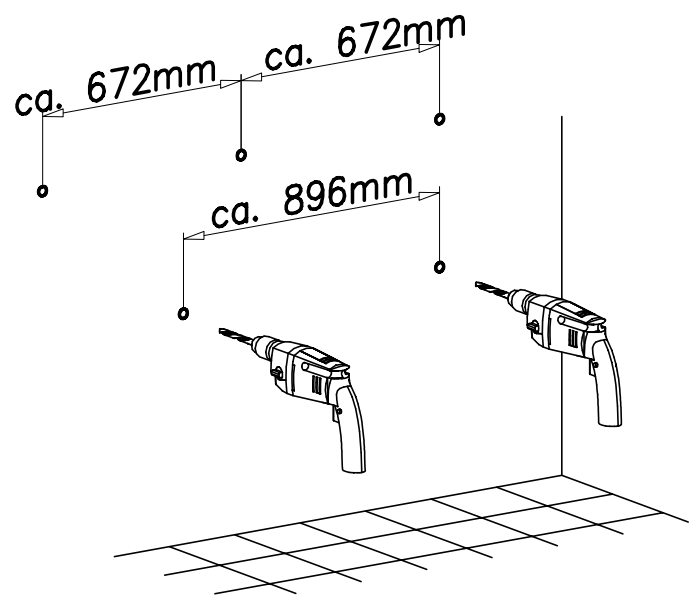
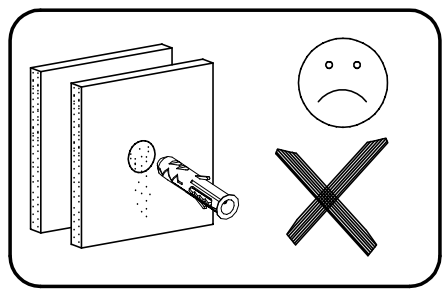
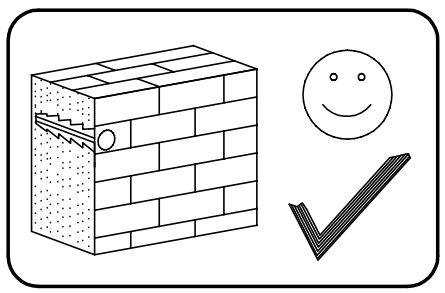


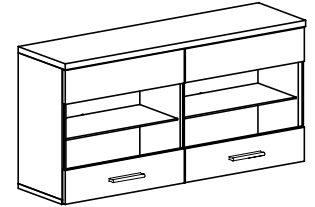
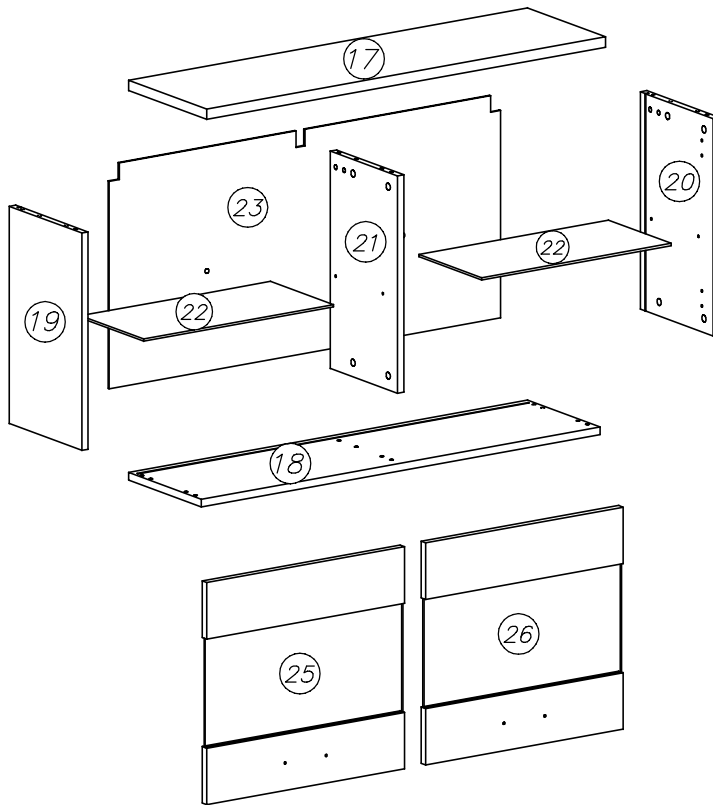
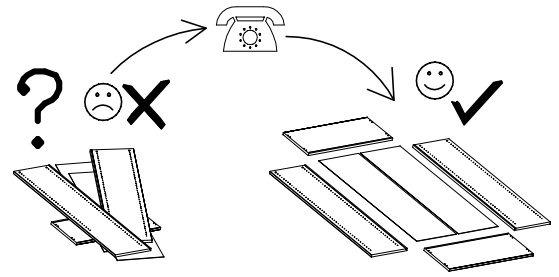
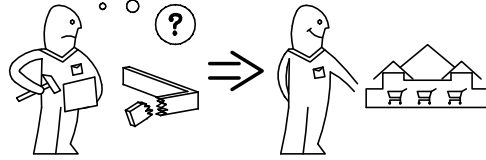
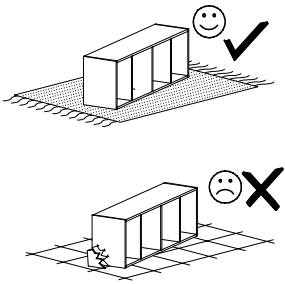
II



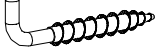


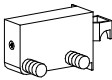
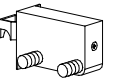
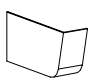


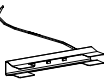
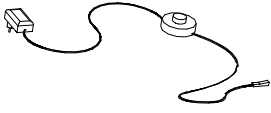

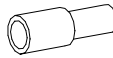
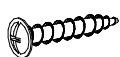
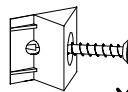
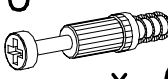

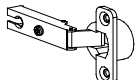
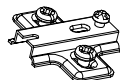



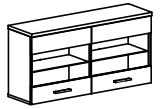
III



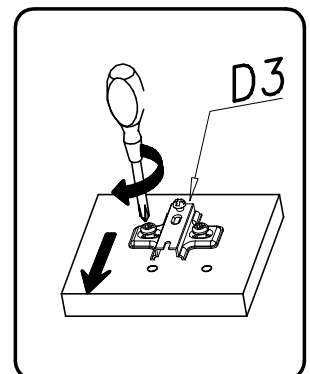
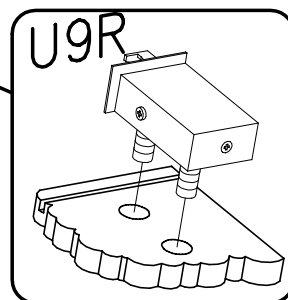
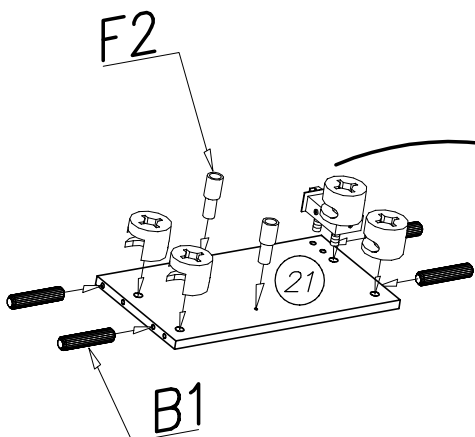
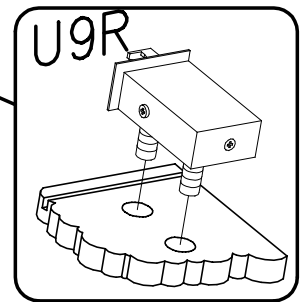
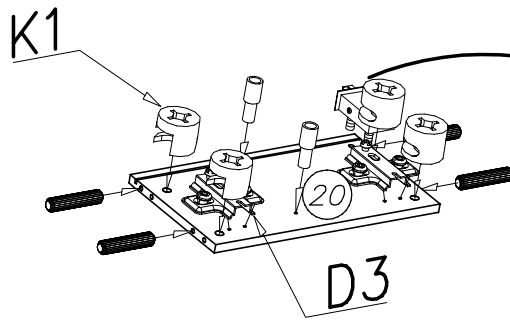
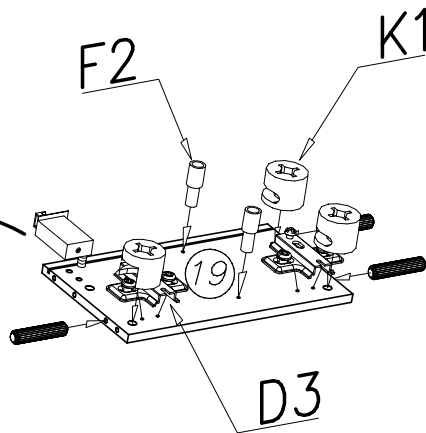
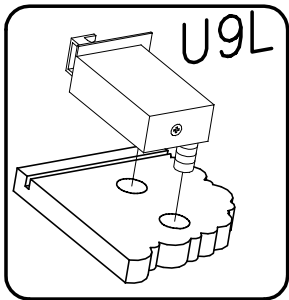
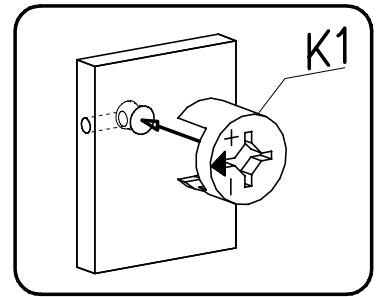
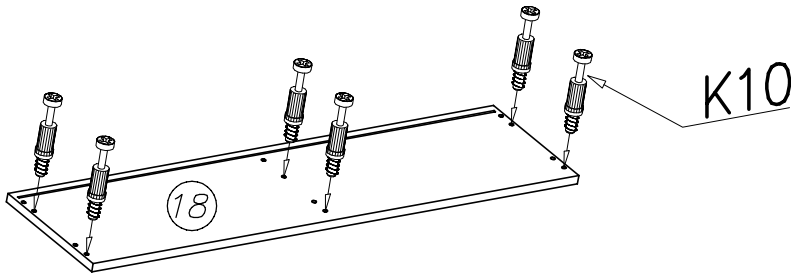
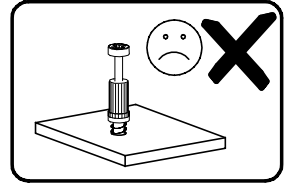
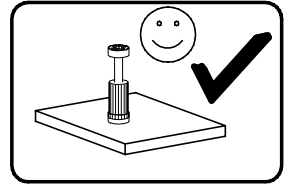
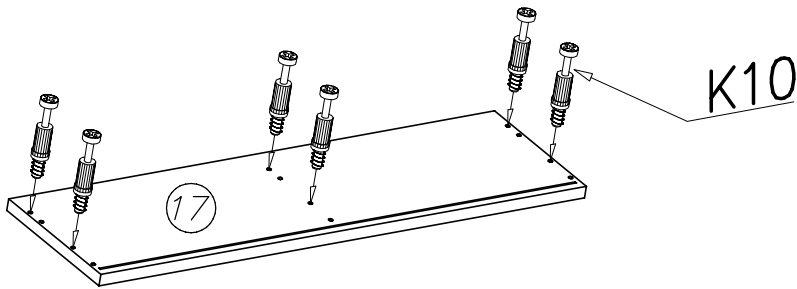


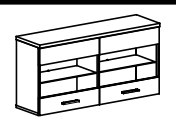
nr	L[mm]	B[mm]	T[mm]	Menge	Colli
17	1000	280	16	1	3/4
18	1000	260	16	1	3/4
19	462	260	16	1	3/4
20	462	260	16	1	3/4
21	462	240	16	1	3/4
22	474	220	5	2	3/4
23	474	979	3	1	3/4
25	495	495	16	1	4/4
26	495	495	16	1	4/4

<b>U7</b>  x...(3)	<b>U8</b>  Ø10x60 x...(3)	<b>U10L</b>  x...(1)	<b>U9R</b>  x...(2)	<b>U9L</b>  x...(1)
<b>U10R</b>  x...(2)	<b>G21</b>  3x16 x...(5)	<b>G36</b>  3,5x13 x...(8)	<b>W5</b> LED  x...(2)	<b>W13</b>  x...(1)
<b>K1</b>  Ø15x12 x...(12)	<b>F2</b>  x8	<b>G8</b>  4x30 x...(4)	<b>I1</b>  x...(6)	x...(1)
<b>K10</b>  x...(12)	<b>B1</b>  Ø8x35 x...(12)	<b>C3</b>  Z35PR x...(4)	<b>D3</b>  PZ35PR x...(4)	<b>E1</b>  128mm x...(2)

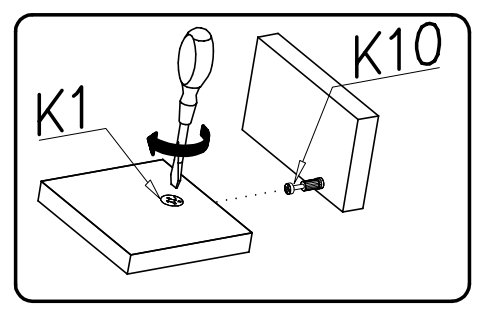
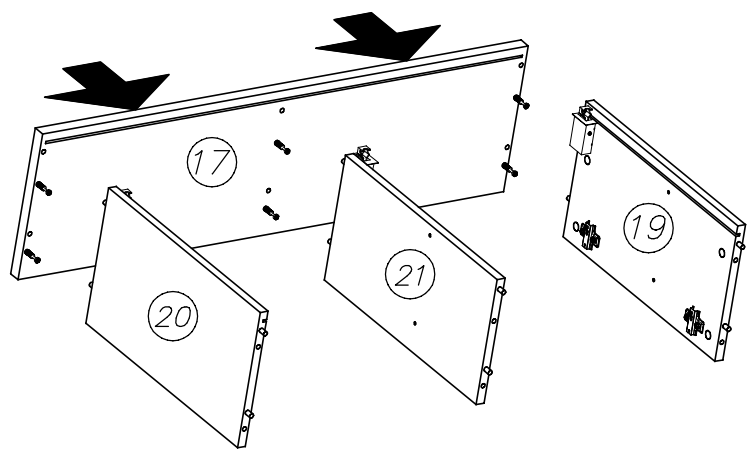


I

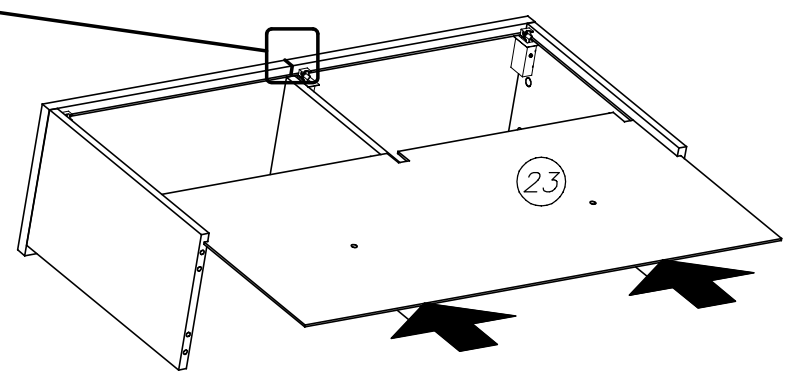
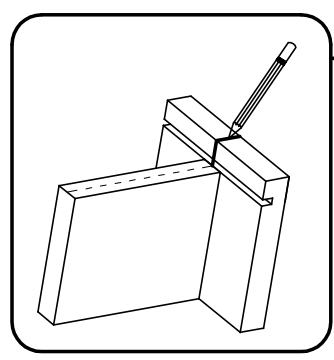




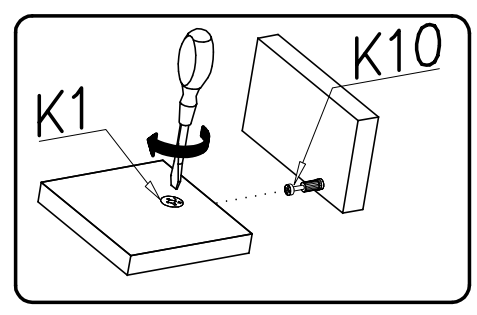
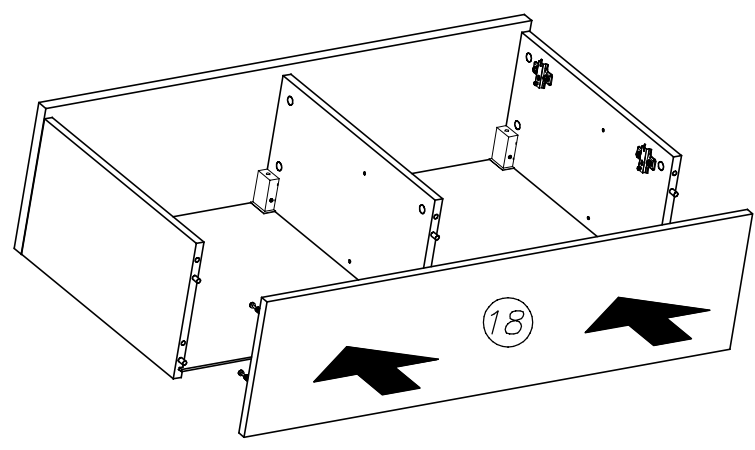
II

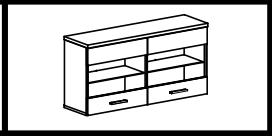


III

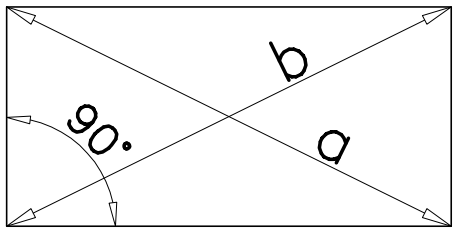
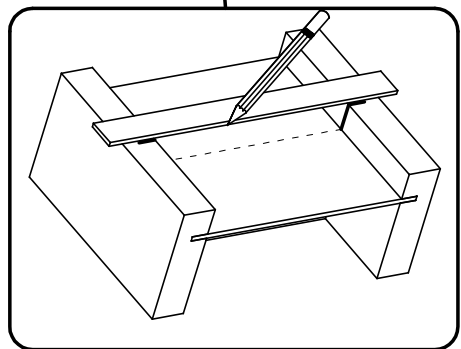
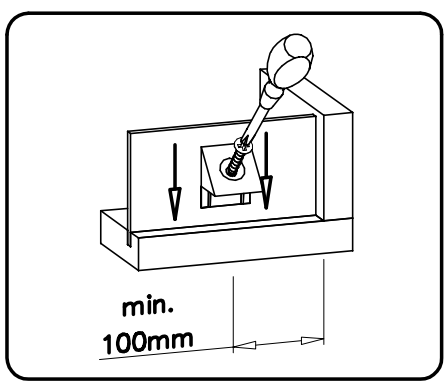
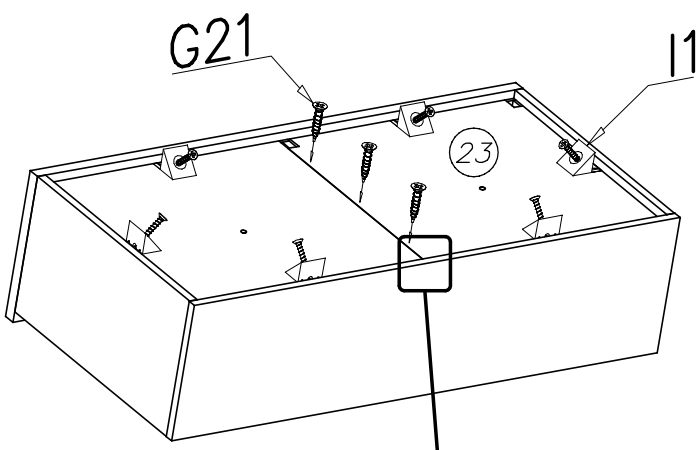


IV

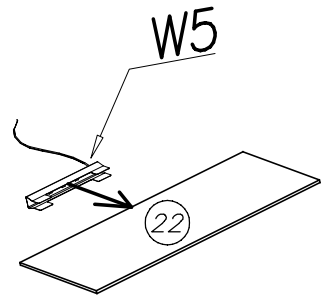
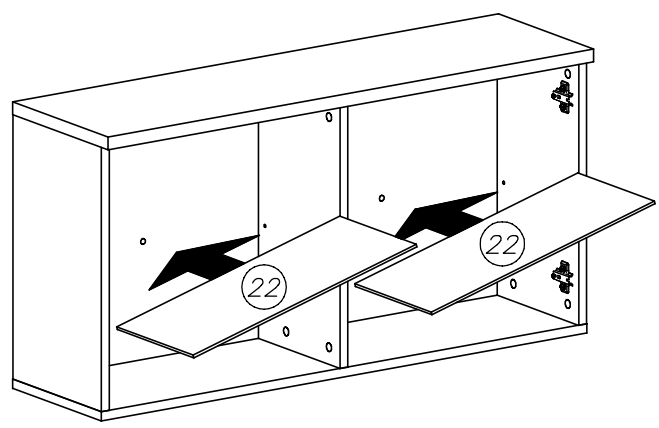


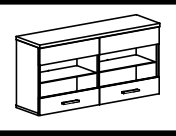


V

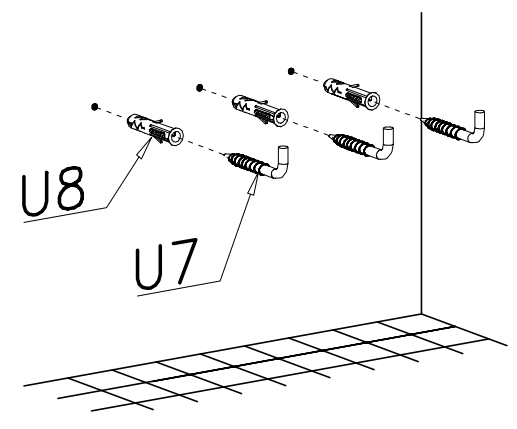
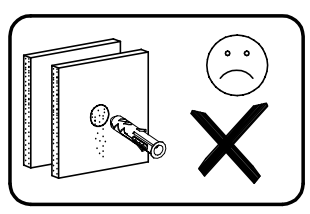
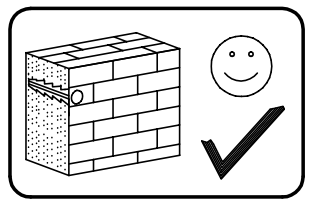
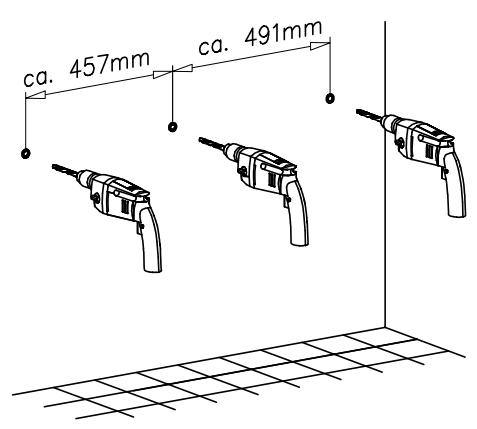


VI

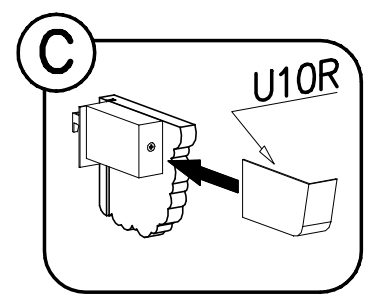
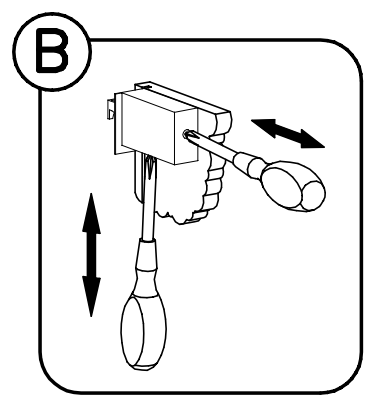
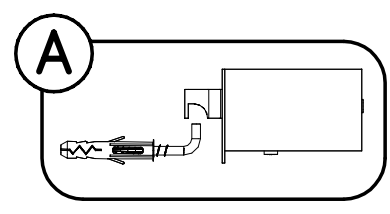
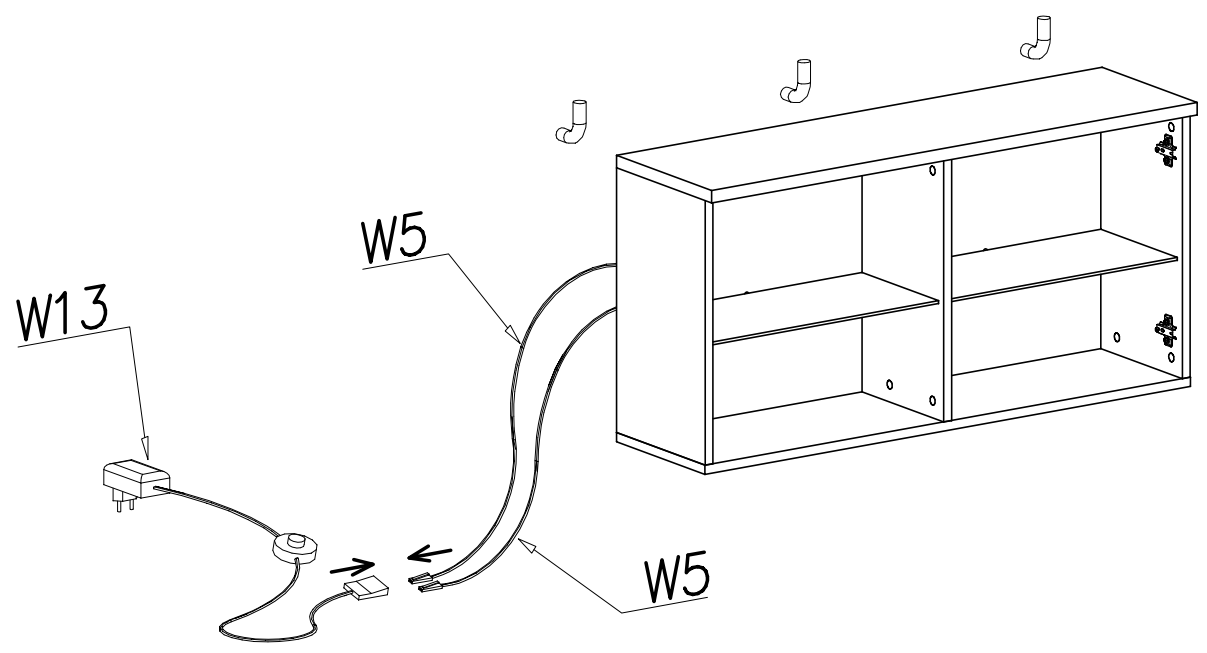


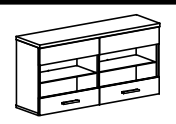


# VII

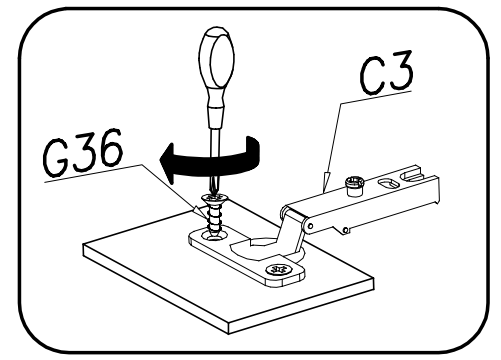
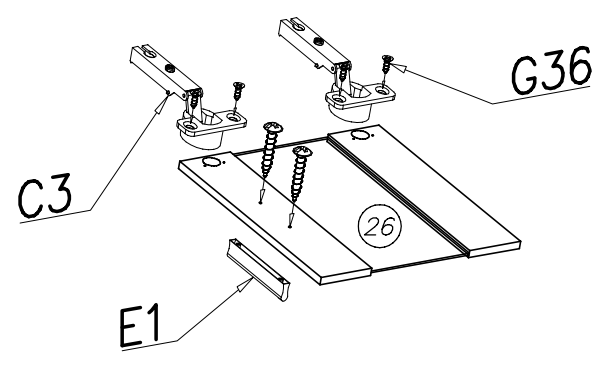
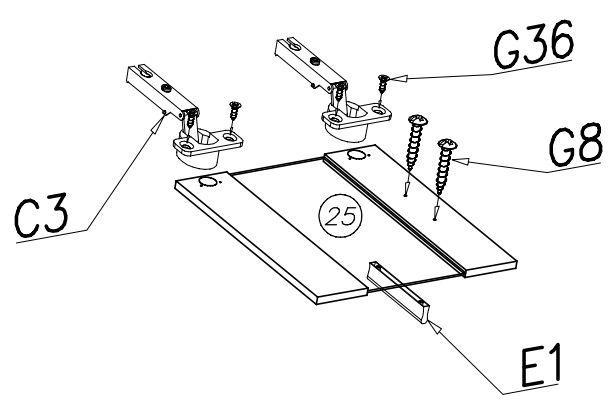


# VIII

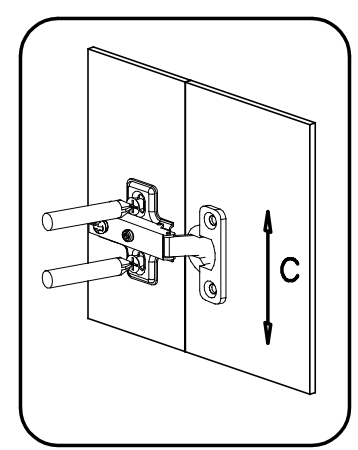
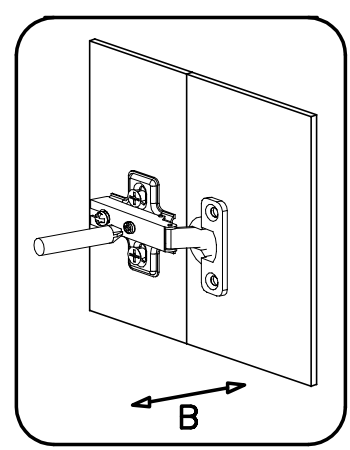
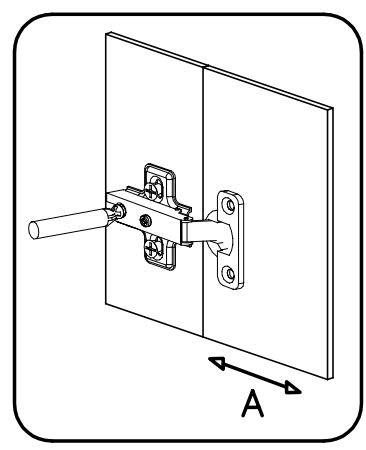
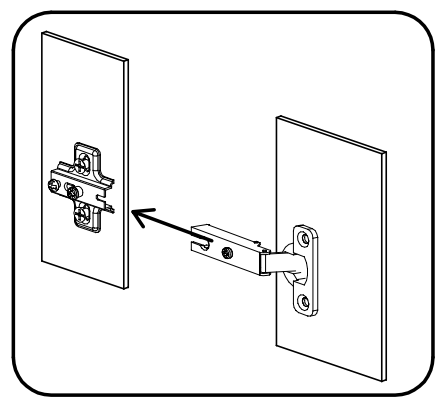
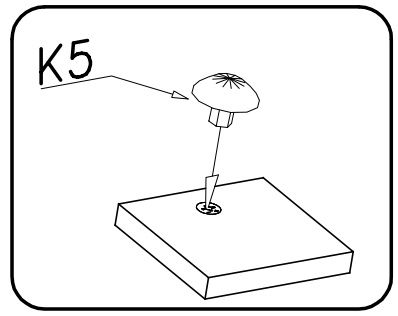
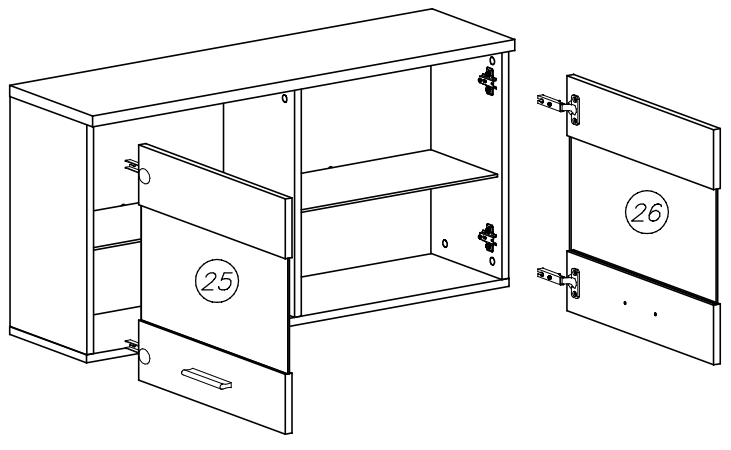


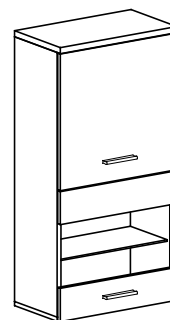
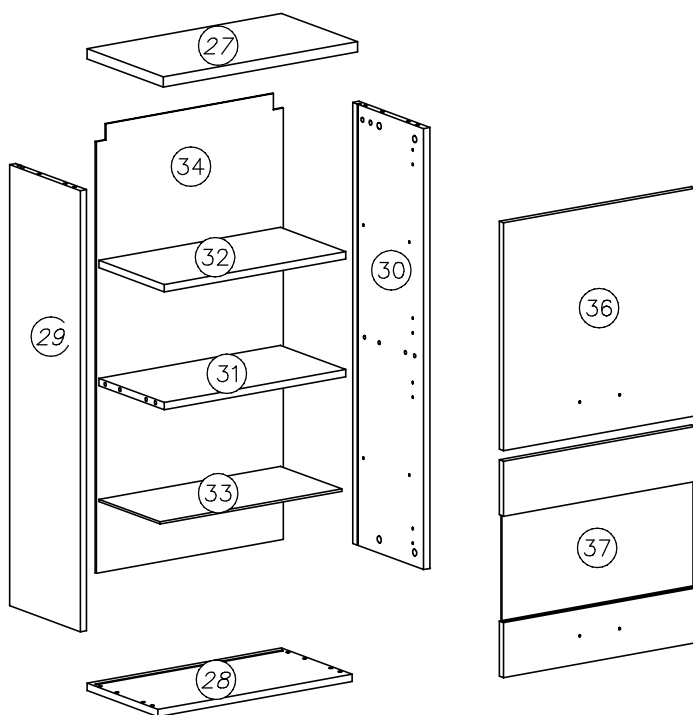
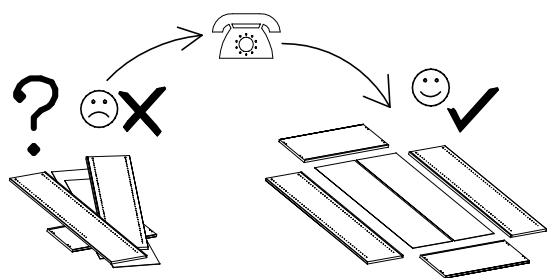
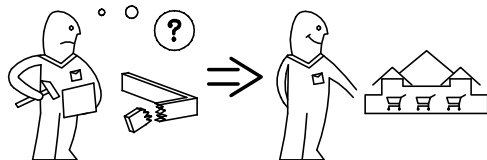
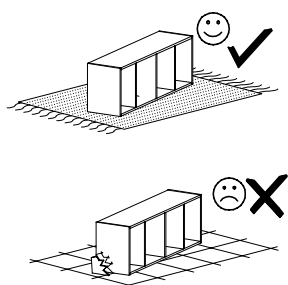


IX

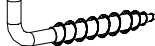
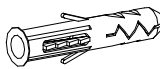
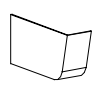
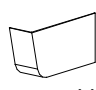

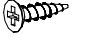
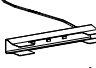
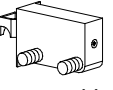
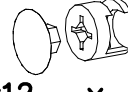
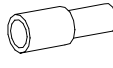
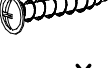
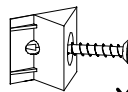
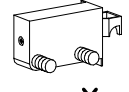
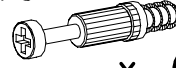
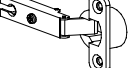

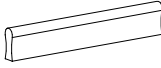


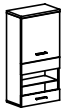
X



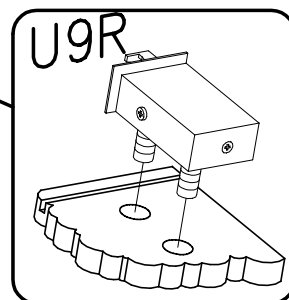
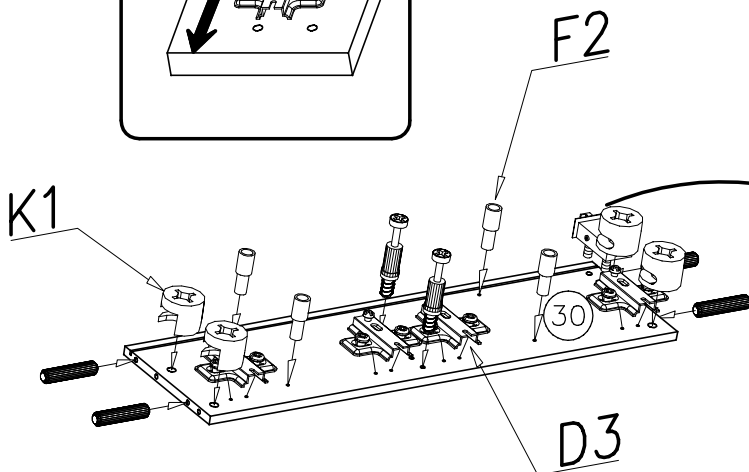
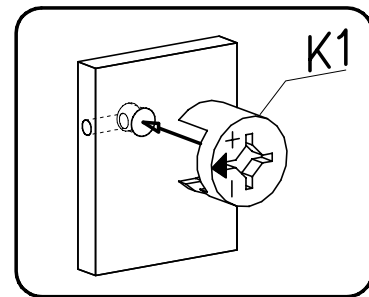
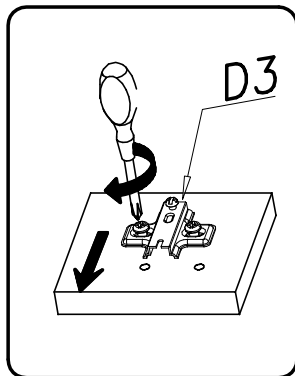
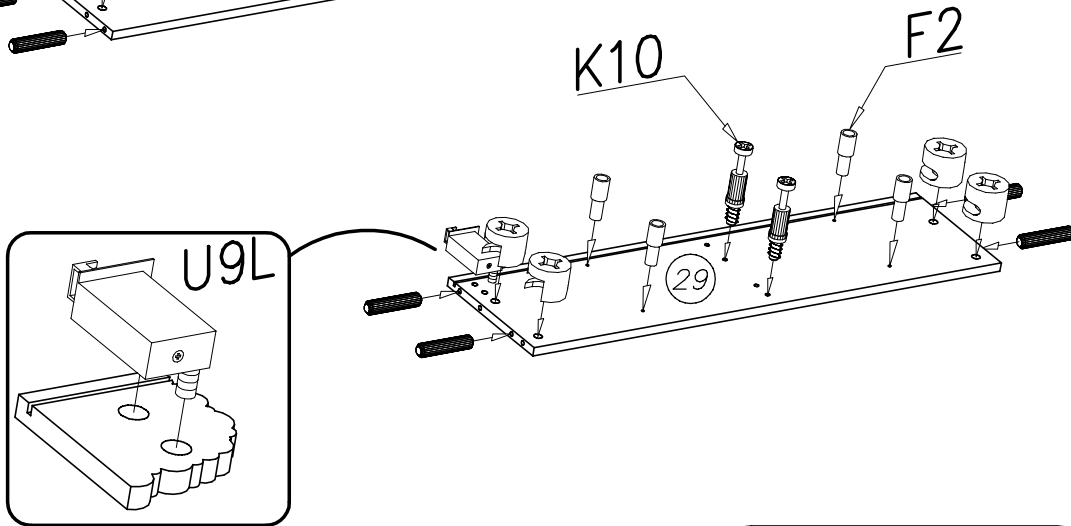
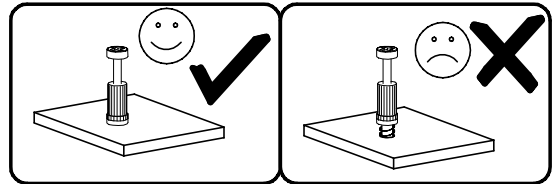
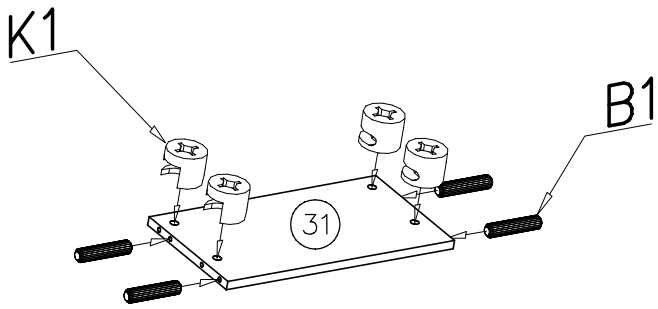
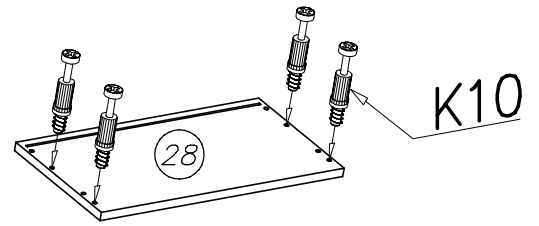
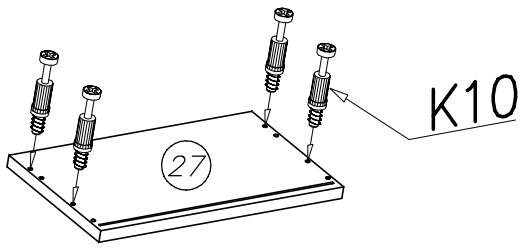


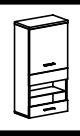
nr	L[mm]	B[mm]	T[mm]	Menge	Colli
27	500	280	16	1	3/4
28	500	260	16	1	3/4
29	960	260	16	1	3/4
30	960	260	16	1	3/4
31	467	240	16	1	3/4
32	467	230	16	1	3/4
33	465	220	5	1	3/4
34	972	479	3	1	3/4
36	495	495	16	1	4/4
37	495	495	16	1	4/4

		U7  x...(2)	U8  $\varnothing 10 \times 60$ x...(2)	U10R  x...(1)
U10L  x...(1)	G21  3x16 x...(5)	G36  3,5x13 x...(8)	W5  LED x...(1)	U9L  x...(1)
K1  $\varnothing 15 \times 12$ x...(12)	F2  x8	G8  4x30 x...(4)	I1  x...(6)	U9R  x...(1)
K10  x...(12)	B1  $\varnothing 8 \times 35$ x...(12)	C3  Z35PR x...(4)	D3  PZ35PR x...(4)	E1  128mm x...(2)

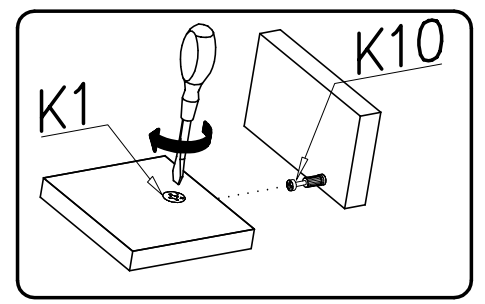
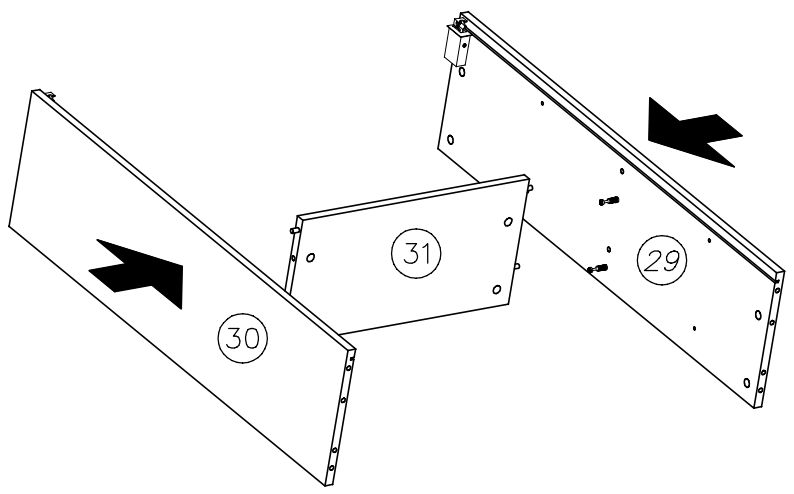


I

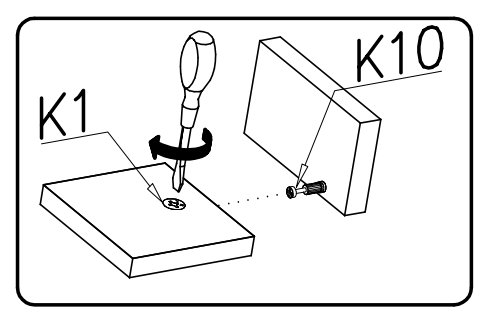
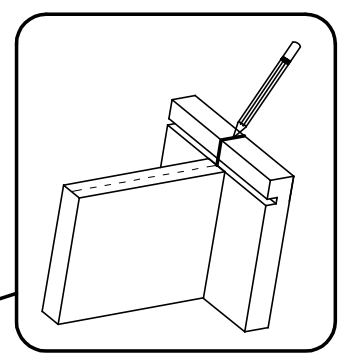
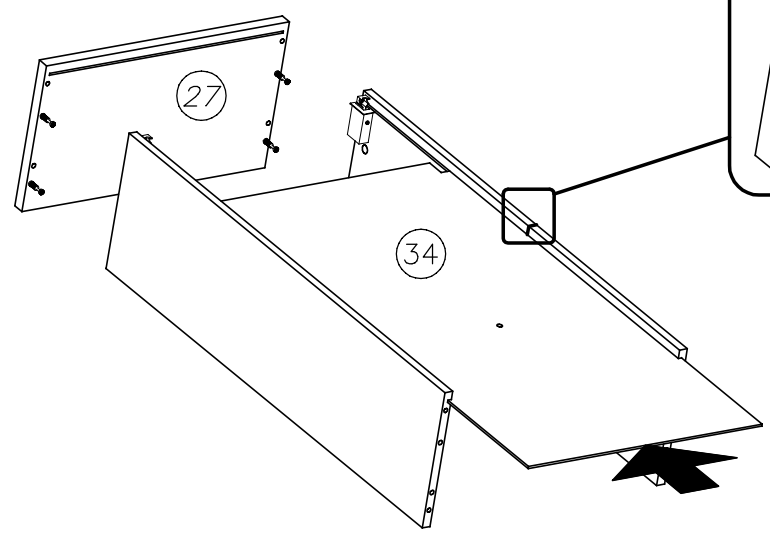




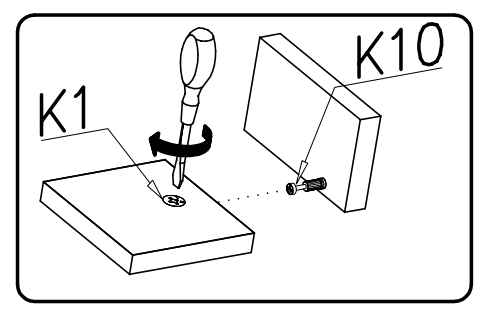
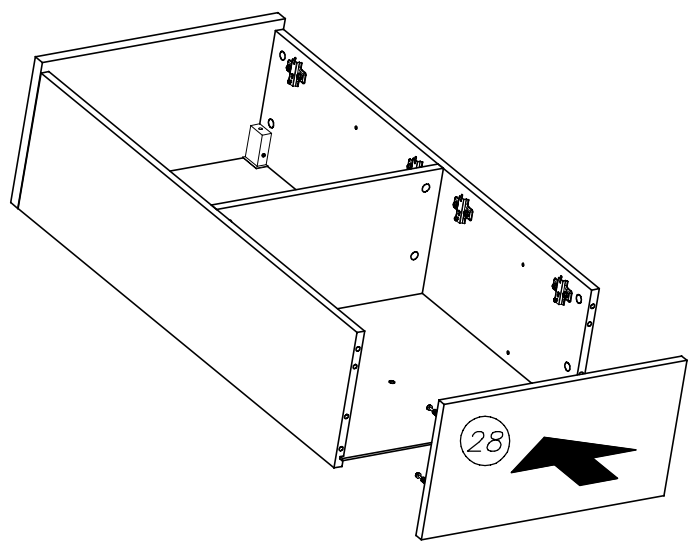
II

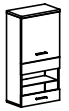


III

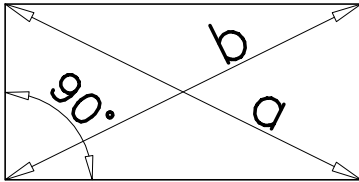
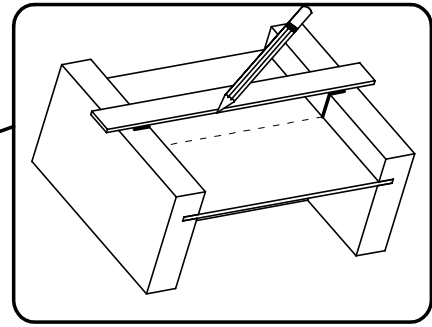
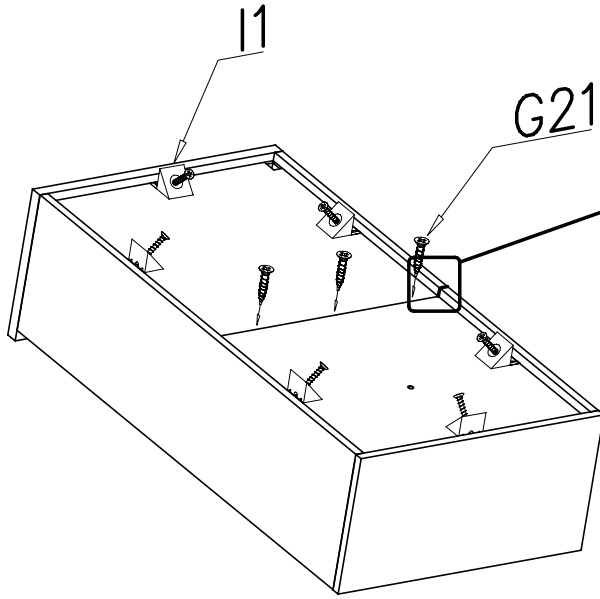


IV

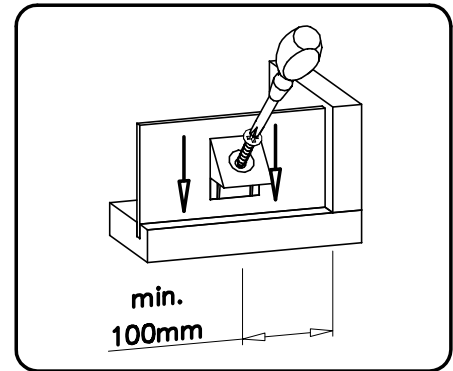




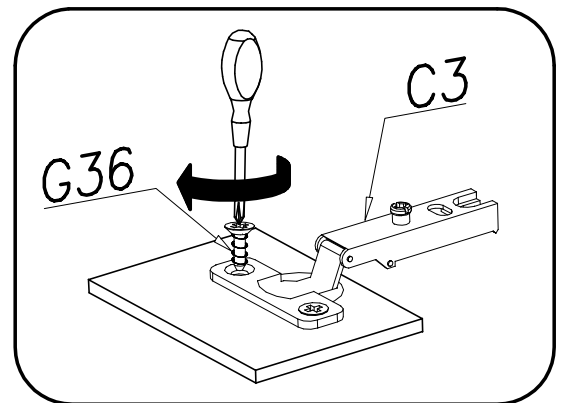
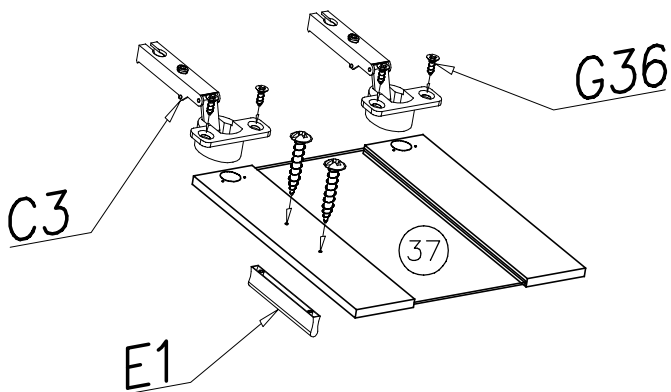
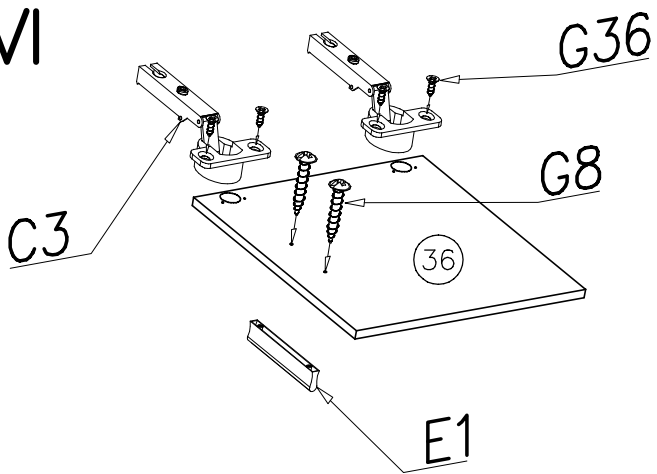
V

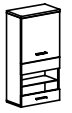


$a=b$

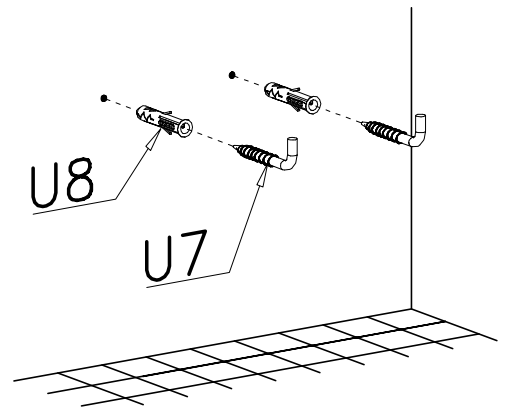
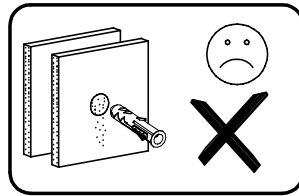
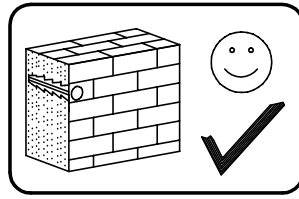
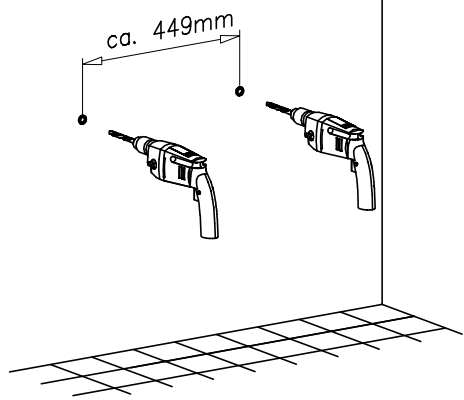


VI

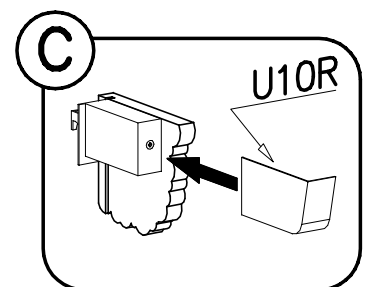
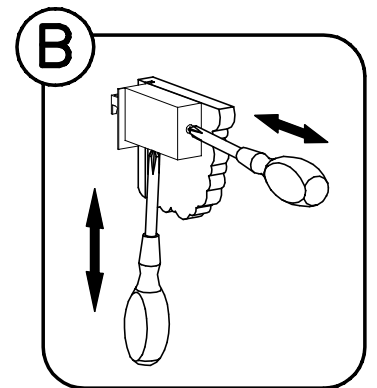
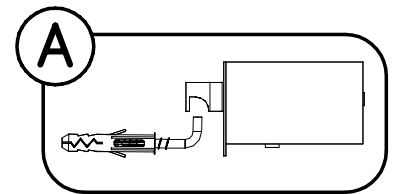
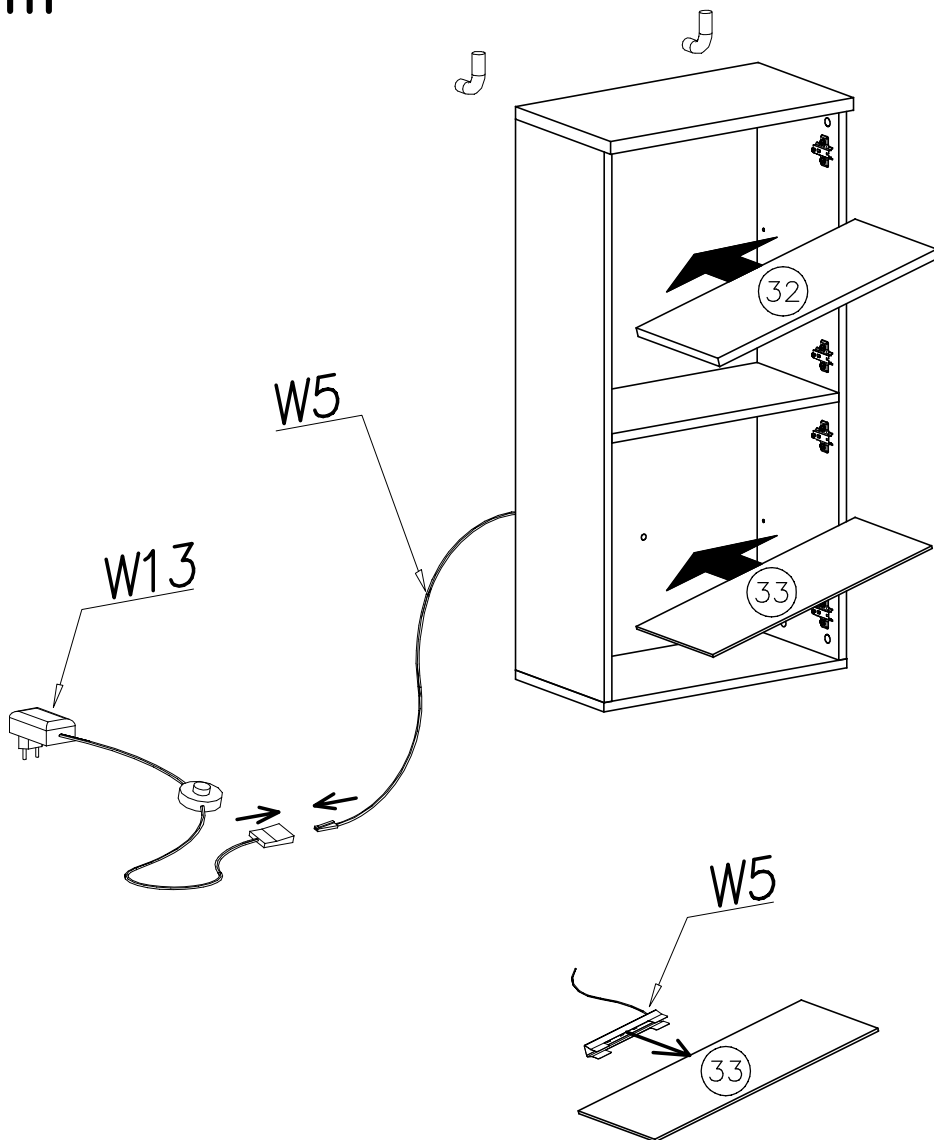


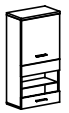


# VII



# VIII





IX

